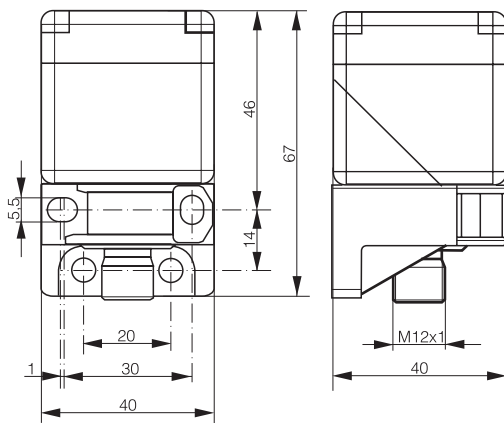
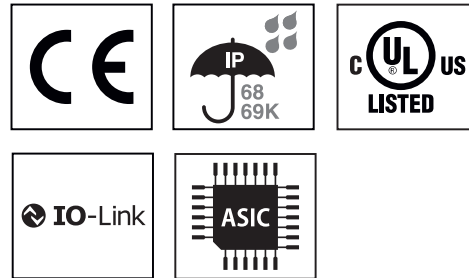


HOUSING	OPERATING DISTANCE	MOUNTING	<ul style="list-style-type: none"> ✓ Highly flexible sensor solution ✓ IP 68 + IP 69K ✓ Active face mountable in 5 directions 	<ul style="list-style-type: none"> ✓ Long operating distances ✓ Easy click-and-lock mounting ✓ IO-Link
40 x 40 mm	40 mm	Non-embeddable		



DETECTION DATA		INTERFACE	
Rated operating distance (S_n)	40 mm	Indicator LED, yellow (2x)	Sensing state ($0 \leq S \leq S_n$)
Assured operating distance (S_a)	$\leq (0.81 \times S_n)$ mm	Indicator LED, green (2x)	Power supply state
Repeat accuracy	1.5 mm	IO-Link	✓
Hysteresis	$\leq 15\% S_r$	MTTF	1899 a
Temperature drift	$\leq 10\% S_r$		
Standard target	120 mm x 120 mm x 1 mm, FE 360		

ELECTRICAL DATA		MECHANICAL DATA	
Supply voltage range (U_B)	10...30 VDC	Mounting	Non-embeddable
Residual ripple	$\leq 10\% U_B$	Housing material	PA GF
Output current	≤ 200 mA	Sensing face material	PA GF
Output voltage drop	≤ 2.5 V	Max tightening torque	2.5 Nm
Power consumption (no-load)	≤ 30 mA	Ambient temperature operation	-25 ... +85 °C
Residual current	≤ 0.01 mA	Enclosure rating	IP68, IP69K
Switching frequency	≤ 100 Hz	Weight (incl. bracket)	130 g
Short-circuit protection	✓	Shock and vibration	IEC 60947-5-2 / 7.4
Voltage reversal protection	✓		
Cable length max.	300 m		

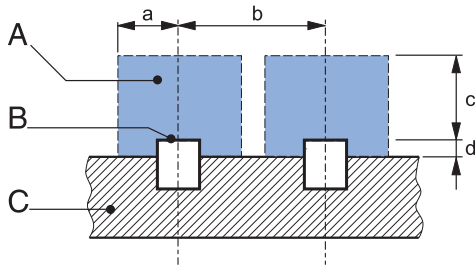
Note: all data measured according to IEC 60947-5-2 standard with $U_B=20...30$ VDC, $T_A=23$ °C \pm 5 °C.

CORRECTION FACTORS

Steel FE 360	1.0	Copper	0.10	Aluminum	0.20	Brass	0.25	Stainless steel V2A	0.85
--------------	-----	--------	------	----------	------	-------	------	---------------------	------

Note: the operating distance of the sensor must be multiplied by the correction factor of the material. For example, the operating distance on Aluminum is $S_{n,Al} = S_n \times CF_{Al}$. In case of embeddable mounting, the distance is multiplied by the additional correction factor of the support, thus $S_{n,Al} = S_n \times CF_{Al} \times CF_{emb,Al}$.

INSTALLATION CONDITION



A : metal free zone
B : sensing face
C : support

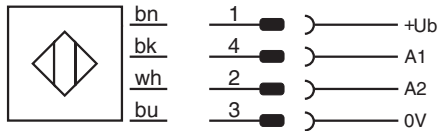
a : 80 mm
b : 150 mm
c : 90 mm
d : 40 mm

Note: additional installation information can be found in the glossary of the Contrinex General Catalog.

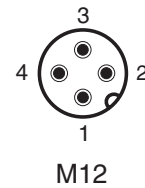
IO-LINK FUNCTIONALITIES

IO-Link version	1.0
SIO mode	Supported
Process data	Detection 80% S_r & 100% S_r
Baudrate	COM2 (38.4 kBaud)
Special functions	Output timing, event flags, detection counter, actual and maximum sensor temperature, installation monitoring

WIRING DIAGRAM



PIN ASSIGNMENT



AVAILABLE TYPES

Part number	Part reference	Polarity	Connection	Output on pin 2	Output on pin 4
320 820 416	DW-AS-63A-C44	PNP	Connector M12 4-pin	Normally closed (NC)	Normally open (NO) / IO-Link
320 820 407	DW-AS-63B-C44	NPN	Connector M12 4-pin	Normally closed (NC)	Normally open (NO)

Note: part reference may include additional suffix to indicate a revision version or special version. Further information is available on request.

Operators of the products we supply are responsible for compliance with measures for the protection of persons. The use of our equipment in applications where the safety of persons might be at risk is only authorized if the operator observes and implements separate, appropriate and necessary measures for the protection of persons and machines. Terms of delivery and rights to change design reserved.