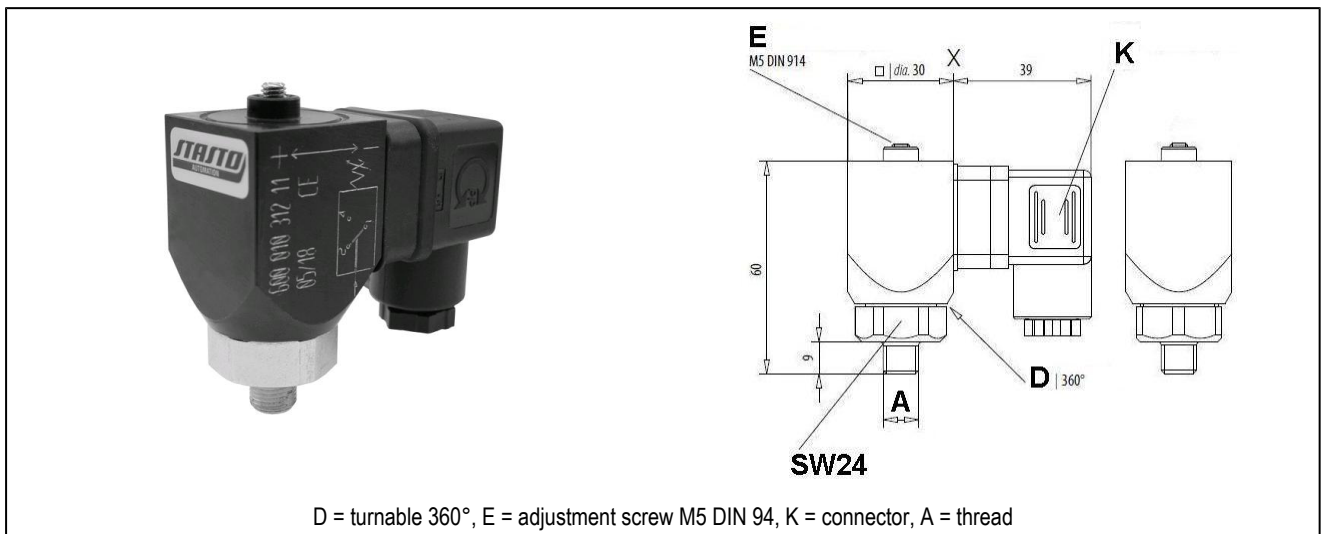


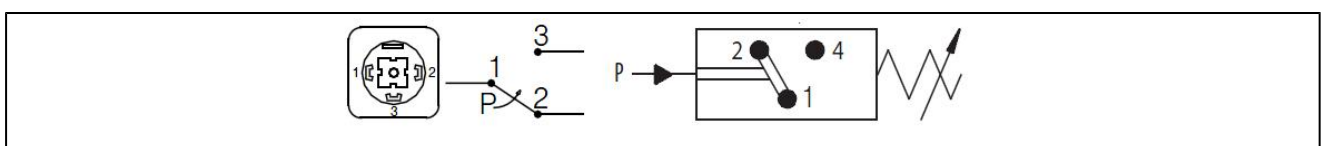
pressure switch
type 600 010 312 11



design	pressure switch with change-over contact, diaphragm spring loaded
materials	body / connection part zinc plated steel, diaphragm NBR
hysteresis range	app. 15% ... 25% of the adjusted pressure not adjustable
connection	G 1/4", turnable 360°
range of adjustment	1 ... 10bar
Overload	max. 20bar
mounting position	any
medium temperature	max. +60°C
ambient temperature	-25...+85°C
protection class	IP65 according to EN 60529 for a correctly mounted connector (protection against the penetration of dust and jet water)
application	compressed air, hydraulic oil, oil emulsion, water, other media on request
switches	micro switches
switching voltage	max. 250V
operations	10 ⁶
operating cycles	200/min
weight	app. 0,23kg
scope of supply	pressure switch including connector acc. to EN175301-803-form A

	AC		direct current				
	125	250	30	50	75	125	250
voltage to [V]	125	250	30	50	75	125	250
resistive load [A]	5	5	5	2	1	0,5	0,25
lamp load [A]	0,5	0,5	0,5	0,4	0,3	0,2	0,1
inductive load [A]	1	1	2	1	0,5	0,2	0,2

electrical connection



illustrations are for information only and are non-binding
all designs, configurations, measurements and materials are subject to change without prior notice