



MLFB-Ordering data: 1LE1003-1BA29-0FA4
M1Y

Motor type: 1AV3112A

Client order no.:

Item no.:

Order no.:

Consignment no.:

Offer no.:

Project:

Remarks:

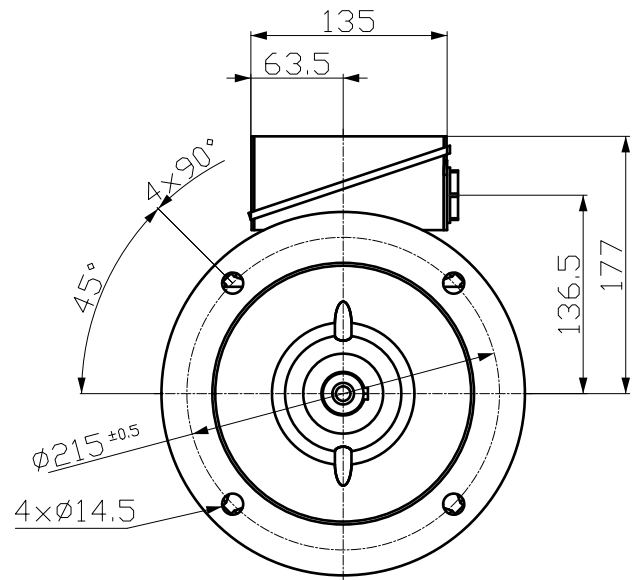
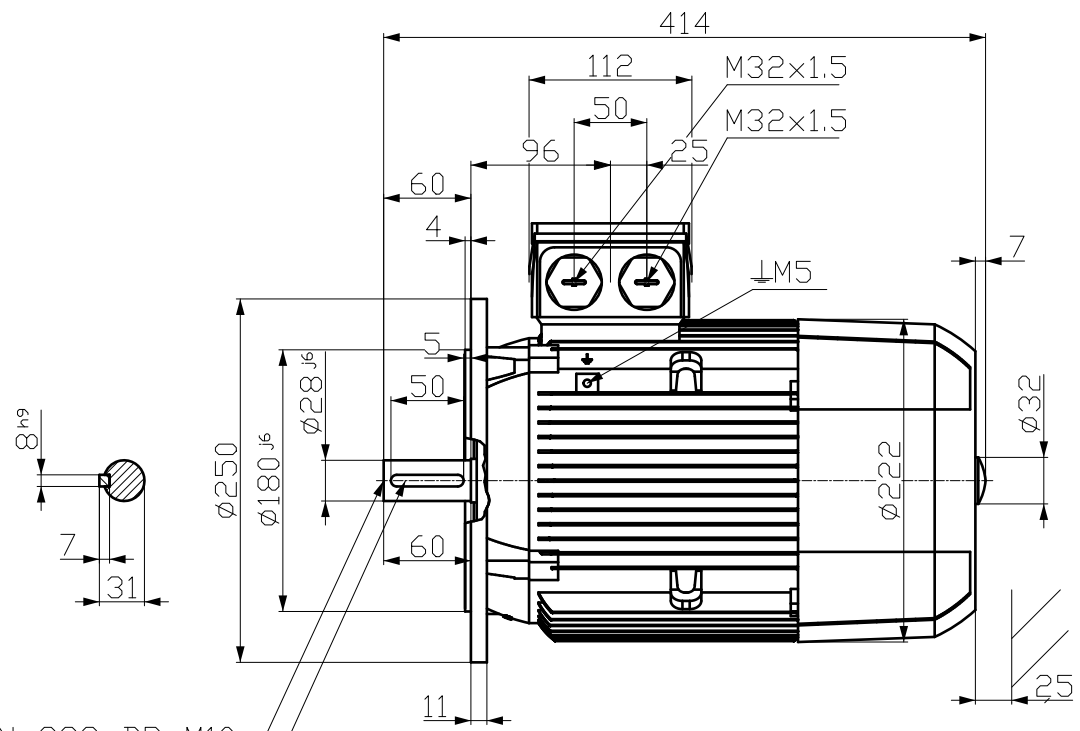
U [V]	Δ/Y	f [Hz]	P [kW]	P [hp]	I [A]	n [1/min]	M [Nm]	NOM. EFF at ... load [%]			Power factor at ... load			I _A /I _N I/I _N	M _A /M _N T _r /T _N	M _k /M _N T _B /T _N	IE-CL
								4/4	3/4	2/4	4/4	3/4	2/4				
230	Δ	60	3.70	- / -	11.80	3545	12.0	87.5	88.1	87.3	0.90	0.87	0.81	8.5	2.0	3.7	IE2
400	Y	60	3.70	- / -	6.80	3545	12.0	87.5	88.1	87.3	0.90	0.87	0.81	8.5	2.0	3.7	IE2
IM B5 / IM 3001		FS 112 M		34 kg	IP55	IEC/EN 60034		IEC, DIN, ISO, VDE, EN									

These values are calculated. The final rating plate data will be calculated when the order is placed
The efficiency values and efficiency class according to EuP directive are valid for standard power ratings under standard conditions.

Mechanical data			Terminal box	
Sound pressure level 50Hz/60Hz (load)	69 dB(A)	73 dB(A)	Terminal box position	top
Moment of inertia	0.012 kg m ²		Material of terminal box	Aluminium
Bearing DE NDE	6206 2Z C3	6206 2Z C3	Type of terminal box	TB1 F00
Bearing lifetime	40000 h		Contact screw thread	M4
Lubricants	Esso Unirex N3		Max. cross-sectional area	4.0 mm ²
Regreasing device	No		Cable diameter from ... to ...	11.0 mm - 21.0 mm
Grease nipple	- / -		Cable entry	2xM32x1,5
Type of bearing	Preloaded bearing DE		Cable gland	2 plugs
Condensate drainage holes	No		<div style="border: 1px solid black; padding: 5px; text-align: center;"> Special design (1) M1Y Non-standard winding: 230VD/400VY_60Hz_3.7kW </div>	
External earthing terminal				
Vibration severity grade	A			
Insulation	155(F) to 130(B)			
Duty type	S1			
Direction of rotation	bidirectional			
Frame material	aluminum			
Data of anti condensation heating	-/-			
Coating (paint finish)	Standard paint finish C2			
Color, paint shade	RAL7030			
Motor protection	(A) without (Standard)			
Method of cooling	IC411 - self ventilated, surface cooled			

Environmental conditions	
Ambient temperature	-20 °C - +40 °C
Altitude above sea level	1000 m

刀线... 用... 文... 图... 积...
 刀线... 用... 文... 图... 积...
 刀线... 用... 文... 图... 积...
 刀线... 用... 文... 图... 积...
 刀线... 用... 文... 图... 积...
 刀线... 用... 文... 图... 积...
 刀线... 用... 文... 图... 积...
 刀线... 用... 文... 图... 积...



DIN 332-DR M10
 DIN 6885-1

Tolerance	Surface	Material	Weight E	Scale 1:1
F50R 00 00 00 00 00 00 TFY	Author Creator Approval Department Change Order	ÖVS T a : ^ & @ } *	Material MFB	Doc Type
SIEMENS	Doc State Revision	Index RS	Item No Doc No	Paper Size 1st Language 2nd Language
	© Siemens AG 2018	Project No E	Ref No E	Sheet F of F