

Product specification

Redundancy module RZM122-80M



- Compact modular design, modul width 73.5 mm, integrated colling element
- For an easy set-up of N+1 redundancies
- Nominal input voltage 40V_{DC} 120V_{DC}
- Nominal input current up to 2 x 40A
- Nominal output current up to 1x 80A
- Relaycontact - Power fail and Overtemperature
- Overtemperature protected
- Status indication by LED
- Adjustable lower limit
- Suitable to be fitted on 35mm DIN-rail
- Vibration proof, suitable for the tropics epoxy resin casted
- Compliant with EMI-Regulations, Safety acc. to VDE, EN, UL, CSA

Acc. to

Application

FEAS Redundancy modules of the series RZM provide the decoupling of two identical DC-Powersupplies in order to either increase the output power or achive a higher degree of system stability.

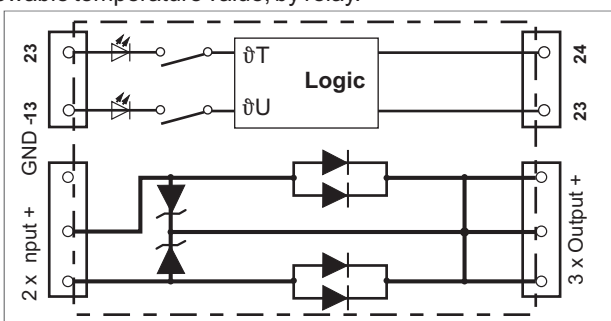
In case of mains power failure or an internal defect of one power supply, the other power supply is still feeding the DC-circuit without interruption. For this, the performance of the used power supplies are calculated in a way, that all consumers can be powered with just one DC-power supply.

With this method, the operational reliability of the whole system is effective enhanced.

Operational principle

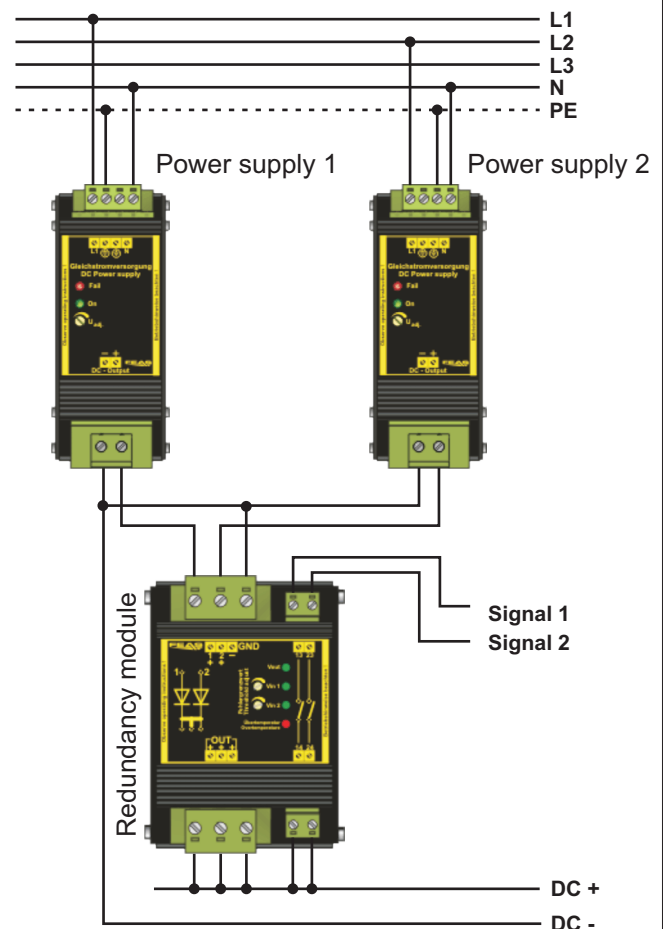
By using of two diodes, the power supplies will be seperated from each other. Operation and fail is indicated by two bicolour LED's. The breakdown of one power supply is detected by a relay contact. A potentiometer allows the adjustment of the threshold of the incoming voltage of each power supply. If the voltage value sinks below to the selected alignment, a relay-contact as well as a LED, signals this status.

An integrated temperature monitor also reports the excess of the allowable temperature value, by relay.



Version

Installed and completely potted in an aluminum case for direct mounting on 35mm DIN-rail.



Please read the data sheets and the operating instructions for further information!

FEAS

Postfach 1521
D - 22905 Ahrensburg

Telefon: +49 4102 42082
Telefax: +49 4102 40930

E-mail : contact@feas.com
Internet: www.feas.com