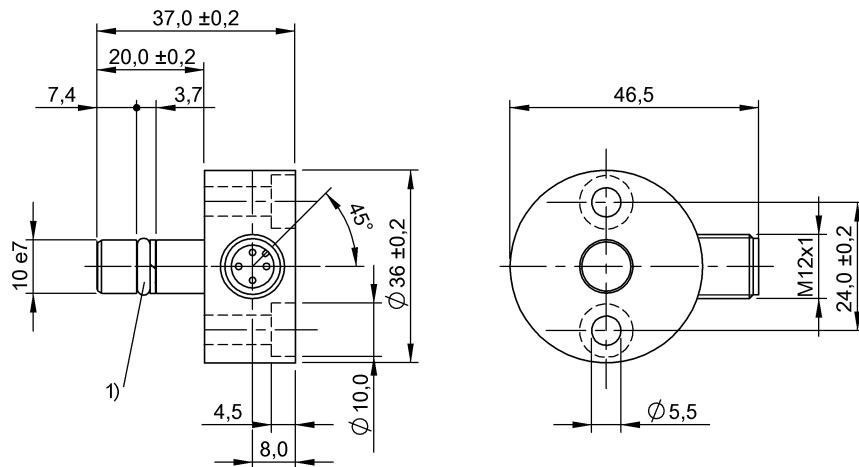


**BES 516-300-S260-S4-D**  
**Ordering code: BHS0030**  
**D10.0e7x37 mm**  
**High-pressure-rated**

**DC, direct current**  
**PNP/Normally open (NO)**  
**Sn = 1,5 mm**  
**Flush (shielded)**

**BALLUFF**  
*sensors worldwide*



#### Characteristic data

Eff. switching distance $S_r$	1,50 mm
Tolerance $S_r$	±10 %
Assured operating distance $S_a$	1,20 mm
Hysteresis $H$ max. (in % of $S_r$ )	15 %
Repeat accur. $R$ max. (% of $S_r$ )	5 %
Ambient temperature	-25...80 °C
Temp. drift max. (% of $S_r$ )	10 %
Switching freq. $f$ max.	2000 Hz
Ready delay $t_v$ max.	50 ms
Utilisation category	DC 13
Function indicator	No
Power-on indicator	No
Short-circuit protected	Yes
Degree of protection as per IEC 60529	IP68 according to BWN PR 20
Protected against polarity reversal	Yes
Protected against reverse connection	Yes
Part number sealing ring	636594
Part number thrust ring	705918

#### Electrical data

Operating voltage	
Rated operating voltage $U_e$ DC	24,0 V
Ripple max. (% of $U_e$ )	15 %
Voltage drop static max.	2 V
Rated insulation voltage $U_i$	75 DC V
Effective operating current $I_e$	200 mA
No-load current $I_0$ damped	8 mA
No-load current $I_0$ undamped	3 mA

Off-state current $I_r$ max.	10 µA
Minimum operating current $I_m$	0 mA
Rated short circuit current	100 A
Output resistance $R_a$	150.0k
Load capacitance max. (at $U_e$ )	1 µF

#### Mechanical data

Housing material	1.4104
Sensing surface material	EP
Sealing ring material	FPM 70
Thrust ring material	PTFE
Mounting length	20 mm
Connection type	Connector
Connector type	M12x1-S04
Pressure resistance	oilpressure-rated to 350 bar
Shock rating	Shock, half-sinus, 30 gn, 11ms
Vibration rating	55 Hz, 1 mm ampl., 3x30 min
Degree of contamination	3
Size sealing ring	5.85 x 2.4
Mounting hi-pressure switches	2xfillisterhead ISO 4762 M5x25

#### Basic data

Basic standard	IEC 60947-5-2
----------------	---------------

#### Remarks

The sensor is functional again after the overload has been eliminated.  
 Installation instructions 614804.  
 With connector, e.g. BKS-S 20-... total length = switch length +19 mm.



Definitions see main catalog

**BES 516-300-S260-S4-D**  
**Ordering code: BHS0030**  
D10.0e7x37 mm  
High-pressure-rated

DC, direct current  
PNP/Normally open (NO)  
Sn = 1,5 mm  
Flush (shielded)

**BALLUFF**  
*sensors worldwide*

subject to change

