

**Variable displacement vane pumps (with hydraulic pressure compensator)**

## PHP Type



### Key Features:

- Rotation:** Right (viewed from shaft end)
- Mounting flanges:** 4-hole flange (UNI ISO 3019/2) and flange  
Rectangular like gear pump Size 2 (only for size 05)
- Connections:** GAS BSP (UNI ISO 228/1)
- Integrated mechanical displacement limiter as standard on all pumps**
- Set-up for combined pumps on request**
- Wide choice of pressure and flow regulation controls**

Series/Name	Rated Displacement (cm <sup>3</sup> /r)	Maximum Flow Capacity at 1450 rpm (L/min)	Maximum Pressure (bar)
01-PHP-05-16	16	23	250
01-PHP-1-20	20	29	250
01-PHP-1-25	25	36	250
01-PHP-1-32	32	47	250

**CONTENTS**

GENERAL DESCRIPTION ..... B-3

TECHNICAL DATA ..... B-4

ORDERING CODE ..... B-5

CHARACTERISTIC CURVES..... B-6

OVERALL DIMENSIONS ..... B-8

PRESSURE/FLOW-RATE CONTROLS..... B-10

COMBINED PUMPS..... B-20

SETTINGS ..... B-23

INSTRUCTIONS FOR INSTALLATION AND USE ..... B-24

ASSEMBLY ..... B-26

**WARNING**

All Berarma pumps have been carefully checked during manufacture and subjected to stringent testing cycles before shipment. To achieve optimum performance, avoid problems and maintain the warranty, the installation instructions enclosed with each pump sold must be strictly observed.

**NOTES**

Before selection and/or use of any Berarma product, it is important that the purchaser carefully analyses all aspects of its application and reviews the information in the current Berarma Technical-Sales catalogues. Due to the many different operating conditions and applications for Berarma products, the purchaser, through their own analysis and testing, is solely responsible for making the final selection of the products and assuring that all performance and safety requirements are met.

Berarma S.r.l. accepts no responsibility for any editing mistakes in this catalogue.

Berarma S.r.l. reserves the right to modify the products and data contained in this catalogue at any time and without prior notice.

## GENERAL DESCRIPTION

As a result of the constant research carried out in order to introduce innovative products to the market characterised by high technological content and reliability, BERARMA has launched the **new series of HIGH WORKING PRESSURE variable displacement vane pumps, known as 01 PHP.**

The new series of 01 PHP pumps combines the characteristics of other BERARMA variable displacement vane pumps with

- SILENT RUNNING
- HIGH EFFICIENCY
- LONG WORKING LIFE
- ECONOMY AND SIMPLIFICATION OF HYDRAULIC SYSTEM
- MODULAR DESIGN
- ENERGY SAVING

with significant improvements in performance due to

- **HIGH WORKING PRESSURE**
- **EXCELLENT DYNAMICS OF DISPLACEMENT CONTROL**

The main innovation of the new series of 01 PHP pumps is the internal pump cartridge, designed to obtain perfect axial balancing, both in terms of hydrostatic compensation of the distribution plates and the fluid flow-rate from inlet to outlet.

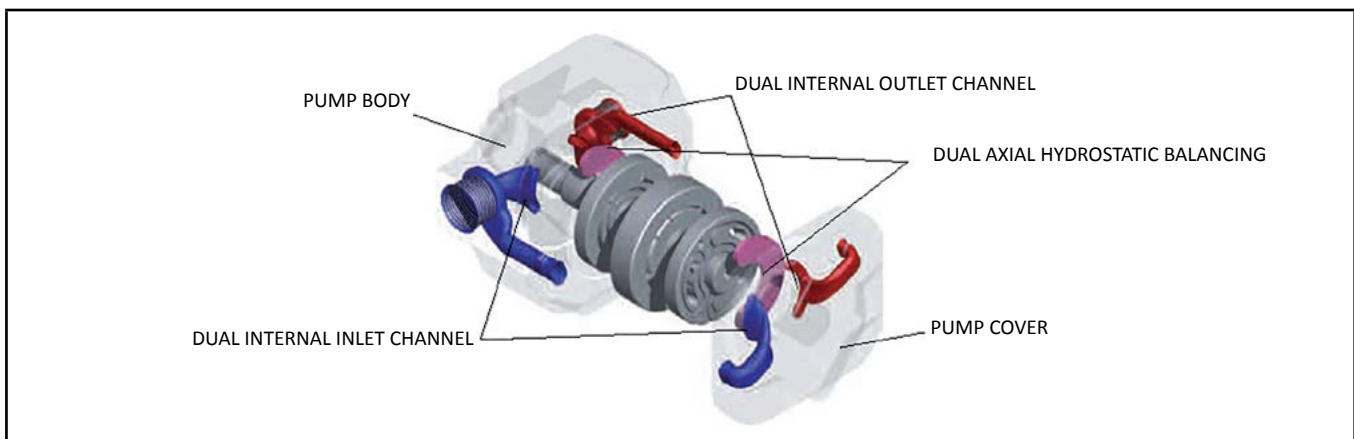
The new series of 01 PHP pumps is supplied with:

- ISO standard MOUNTING FLANGES
- GAS BSP standard PORT CONNECTIONS
- flow regulator unit in order to mechanically reduce pump displacement
- various types of hydraulic, electrical and proportional adjustment devices in order to control the pump flow-rate and/or pressure
- (on request only) set-up for coupling to all BERARMA pumps or to the main others types of pump available on the fluid power market.

Considering the features outlined above, the new series of PHP pumps is one of a kind, suitable for applications that require higher performances than the standard use of variable displacement vane pumps.

### What makes the new BERARMA 01 PHP series of pumps unique?

- 250 bar working pressure
- DUAL INLET AND OUTLET CHANNELS in the internal pump cartridge
- DUAL AXIAL HYDROSTATIC BALANCING on the distribution plates
- "FORCED" HYDRODYNAMIC LUBRICATION on journal bearings
- NEW FUNCTIONAL DESIGN OF THE PRESSURE COMPENSATOR DEVICE (reduction in pressure overshoots and pressure stabilization time)
- REDUCTION IN WEAR on internal pump cartridge parts
- INNOVATIVE SHAPES AND DESIGN



**TECHNICAL DATA**

NOMINAL SIZE		SIZE 05	SIZE 1		
Geometric displacement according to UNI-ISO 3662 (cm <sup>3</sup> /r)		16	20	25	32
Actual displacement (cm <sup>3</sup> /r)		17.9	24.2	29.4	34.5
Due to manufacturing tolerances, the value can vary by approx. ± 3%					
Maximum working pressure (bar)		250			
Pressure peak exceeding 30% of the maximum operating pressure must be eliminated by adopting the appropriate measures					
Pressure setting range (bar)		H: 20 - 250			
Permitted maximum drain port pressure (bar)		1			
Inlet pressure (bar)		0.8 - 1.5 absolute			
Speed range (r/min)		800 - 1800			
Rotation direction (viewed from shaft end)		R - Right			
Loads on drive shaft		NO RADIAL OR AXIAL LOADS ALLOWED			
Maximum torque on primary shaft (Nm)	Tmax	130	250		
Hydraulic fluid		HM hydraulic oil according to ISO 6743/4 HLP according to DIN 5124/2 for other fluids contact Berarma Technical-Sales Service			
Viscosity range (cSt, mm <sup>2</sup> /s)		22 - 68 at operating temperature			
Starting viscosity under full flow conditions (cSt, mm <sup>2</sup> /s)		400 max			
Viscosity index according to ISO 2909		100 min			
Inlet fluid temperature range (°C)		+15 / +60 - pay attention to viscosity range			
Maximum acceptable fluid contamination level		20/18/15 according to ISO 4406/99, CLASS 9 according to NAS 1638			
Recommended fluid contamination level for a longer pump working life		18/16/13 according to ISO 4406/99, CLASS 7 according to NAS 1638			
Moment of inertia (kgm <sup>2</sup> )		0.00019	0.00050		
<b>Single pump weight (kg)</b>					
Single stage pressure compensator		16.5	18.5		
PCS002		18.5	20.5		
PCS003		18.0	20		
PCS004		19.0	21.3		
PCS005		18.0	20		
PCLS001		19.0	21		
PCLS002		19.5	21.3		
PCLS003		19.0	21		
PCLS004		20.0	22		
PCLS005		19.0	21		
For further information and/or different operating conditions, please contact Berarma Technical-Sales Service					

# ORDERING CODE

**ORDERING CODE**

Series/ Name	Size Displacement	Flange	Pressure setting	Rotation	Seals	Combined pumps	Pressure controls
<b>01 PHP</b>			<b>H</b>	<b>R</b>			

Code	Size	Displacement (cm <sup>3</sup> /r)
<b>05 - 16</b>	05	16
<b>1 - 20</b>	1	20
<b>1 - 25</b>	1	25
<b>1 - 32</b>	1	32

Code	Flange	Thread
<b>F</b>	UNI ISO3019/2 - 4 holes	GAS BSP UNI ISO 228/1
<b>FGR2</b> (only for size 05)	As for gear pump size 2	GAS BSP UNI ISO 228/1

Code	Pressure setting
<b>H</b>	20 – 250 bar

Code	Rotation Direction
<b>R</b>	Right (viewed from shaft end)

Code	Seals
<b>M</b>	NBR
<b>E</b>	FPM (viton)

Code	Combined pumps
<b>/</b>	Omit for single pump
<b>A</b>	Primary pump and/or intermediate pump (available only for F flange)

Code	Pressure controls
<b>/</b>	Omit for single stage pressure compensator
<b>PCS002</b>	Pump with remote pressure control
<b>PCS003</b>	Pump with two-stage pressure control, one with fixed setting
<b>PCS004</b>	Pump with two-stage pressure control, both adjustable
<b>PCS005</b>	Pump with proportional pressure control
<b>PCLS001</b>	LOAD SENSING pump with single-stage pressure compensator
<b>PCLS002</b>	LOAD SENSING pump with remote pressure control
<b>PCLS003</b>	LOAD SENSING pump with two-stage pressure control, one with fixed setting
<b>PCLS004</b>	LOAD SENSING pump with two adjustable pressure stages
<b>PCLS005</b>	LOAD SENSING pump with proportional pressure control

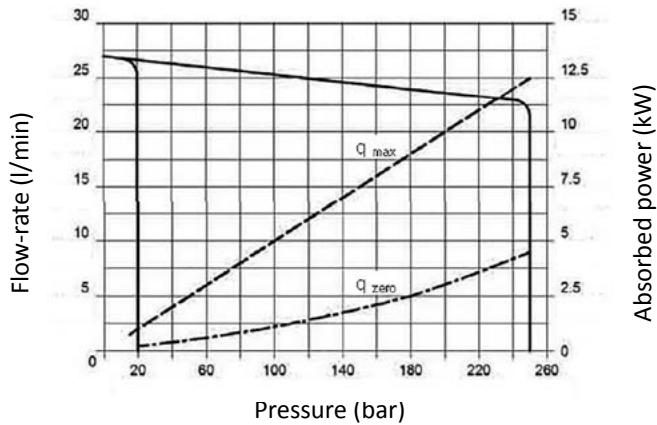
For further information regarding pressure control solutions, please see pages 10 ÷ 19

## CHARACTERISTIC CURVES

Indicative values measured on Berarma test machine, referring to 1500 rpm, with HM hydraulic oil according to ISO 6743/4, ISO VG 32 according to ISO 3448, temperature 48°C.

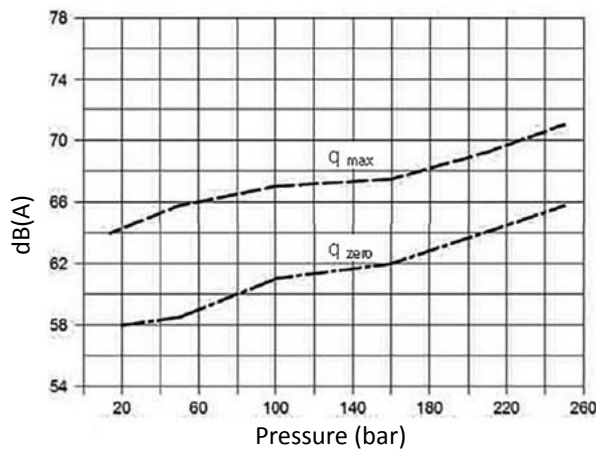
### 01 PHP 05 16 FHRM

**Volumetric efficiency – zero flow setting curve**



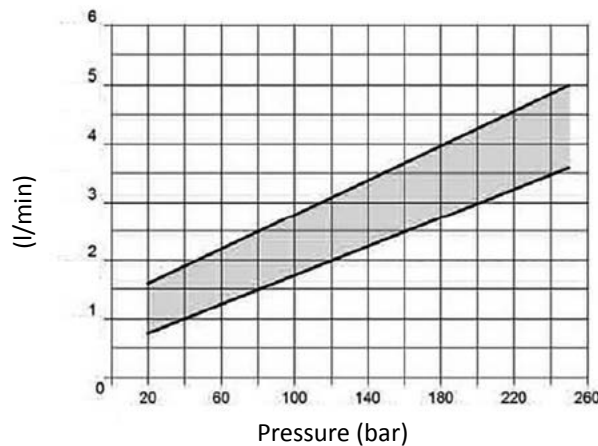
### Noise level

Indicative maximum noise level values measured with sound-level meter placed one metre from the pump, with flexible coupling



### Drainage (leakage) flow-rate

Pump under zero flow setting conditions

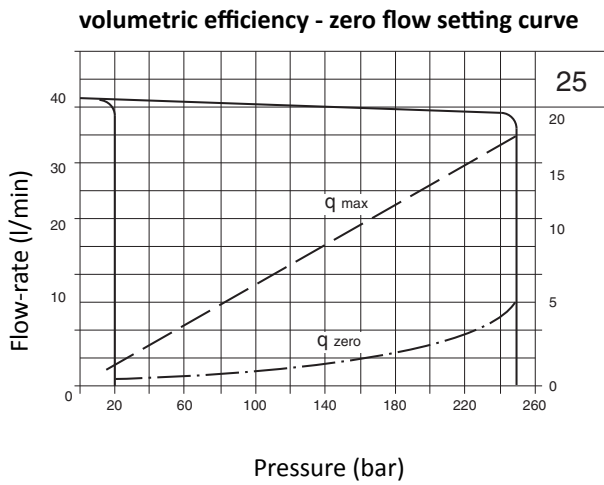
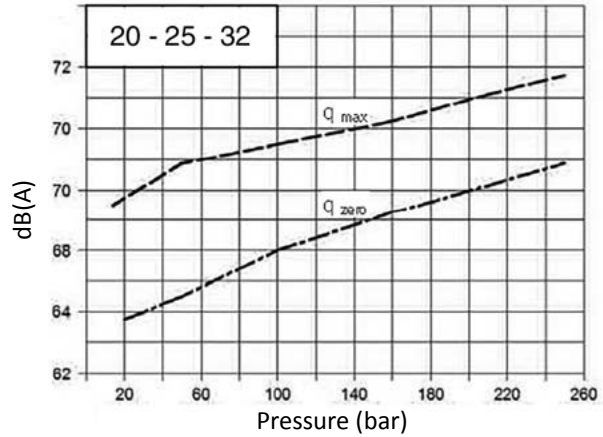
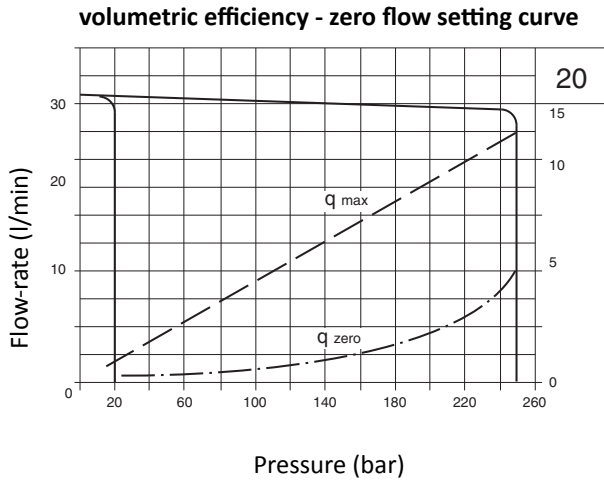


Indicative values measured on Berarma test machine, referring to 1500 rpm, with HM hydraulic oil according to ISO 6743/4, ISO VG 32 according to ISO 3448, temperature 48°C.

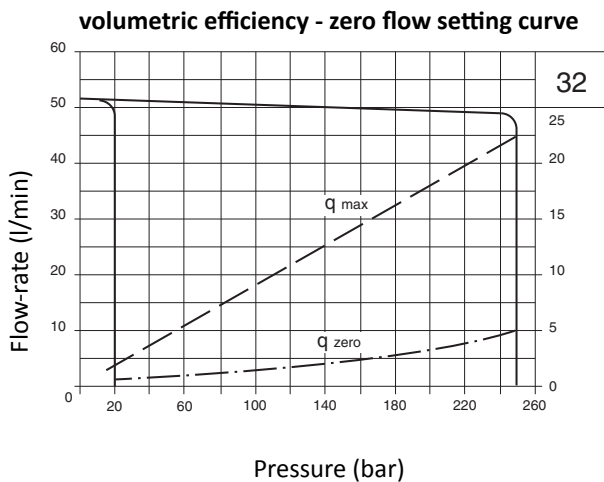
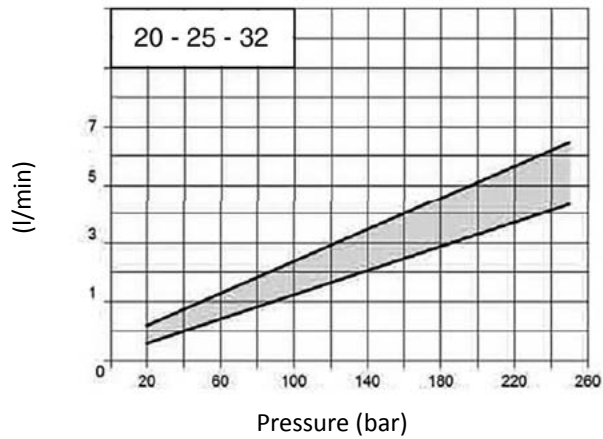
**01 PHP 1 20-25-32 F**

**Noise level**

Indicative maximum noise level values measured with sound-level meter placed one metre from the pump, with flexible coupling

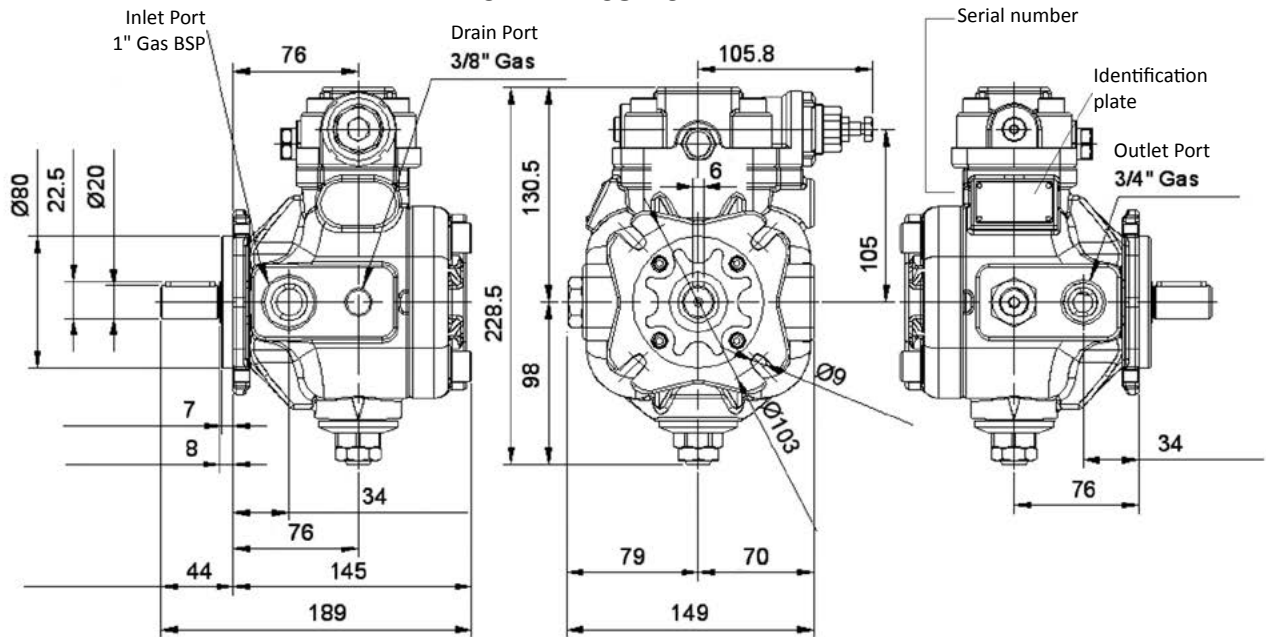


**Drainage (leakage) flow-rate**  
Pump under zero flow setting conditions

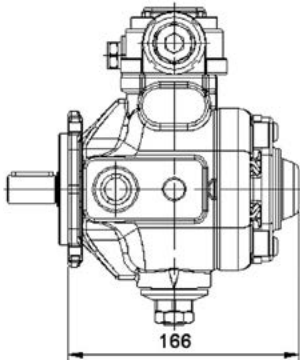


**OVERALL DIMENSIONS**

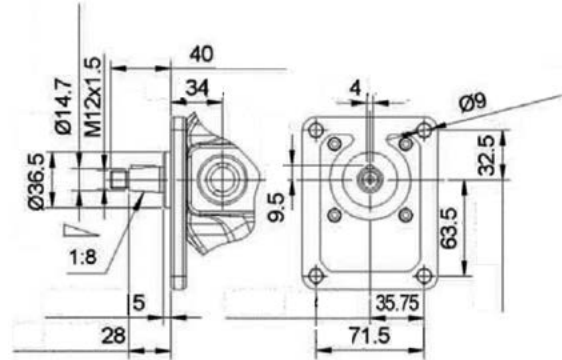
**01 PHP 05 16 FHRM**



**THRU-DRIVE SHAFT (-A)**



**FGR2 FLANGE AND SHAFT (not available on -A version)**

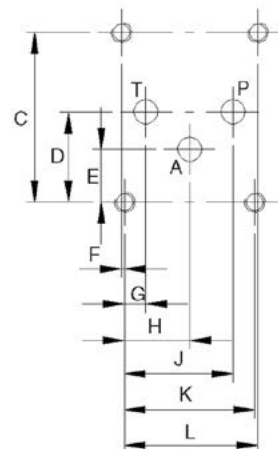


For combined pump solutions, please see pages 20-22

Mounting surface ISO 4401-03 (CETOP 03) for pressure/flow-rate controls PCS 003/004 and PCLS 003/004 (pages 12, 13, 17, 18)

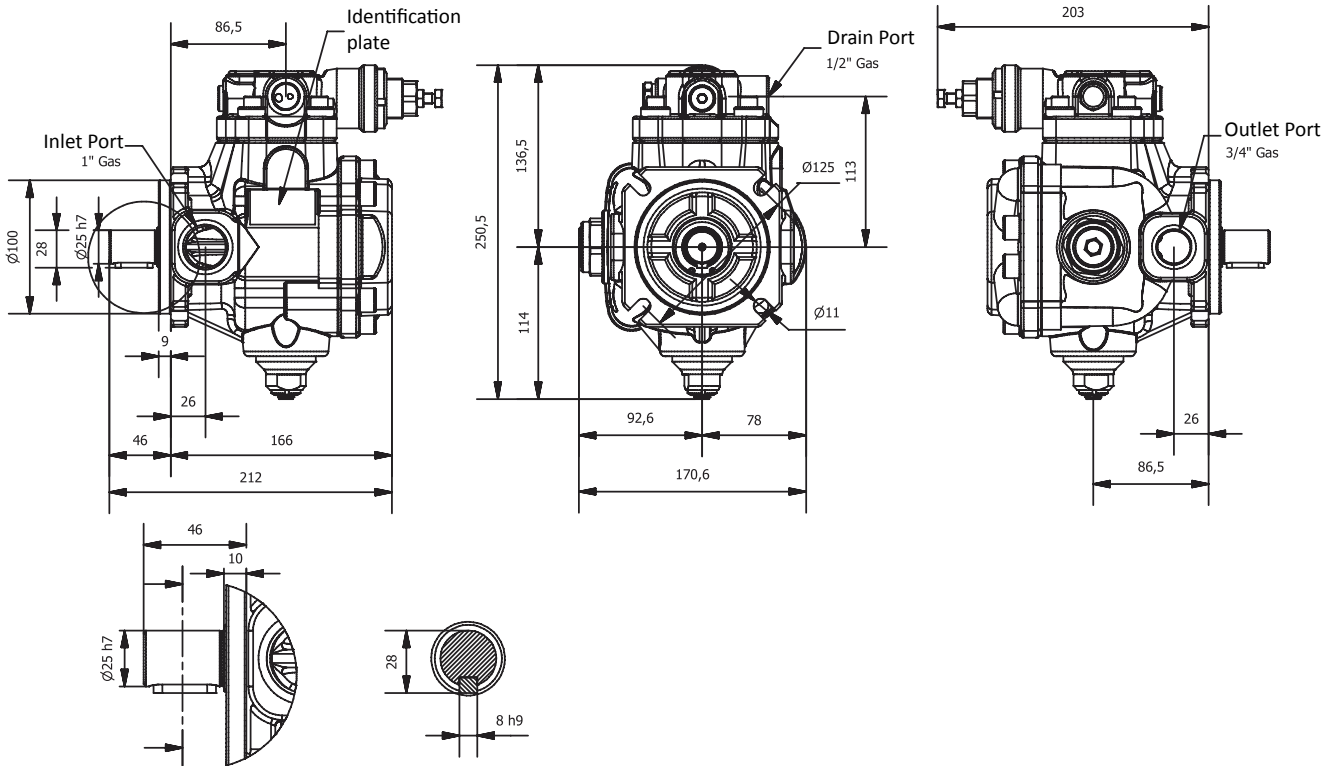
Designation	Dimension
C	40.5
D	21.5
E	12.7
F	0.75
G	5.1
H	15.5
J	25.9
K	31
L	31.75

Note: "A" port is available only for PCS004 and PCLS004 controls



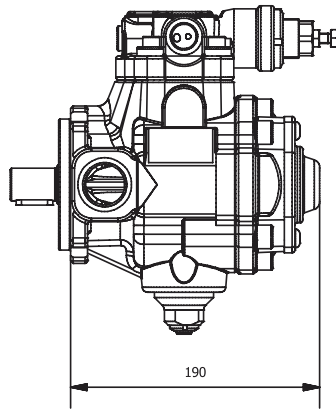


**01 PHP 1 20-25-32 F**



**OVERALL DIMENSIONS**

**THRU-DRIVE SHAFT (-A)**

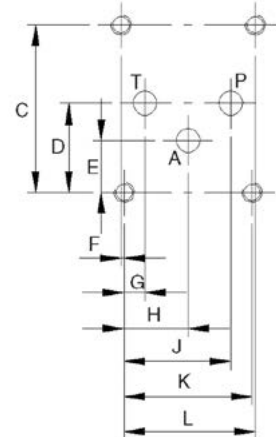


For combined pump solutions, please see pages 20-22

Mounting surface ISO 4401-03 (CETOP 03) for pressure/flow-rate controls PCS 003/004 and PCLS 003/004 (pages 12, 13, 17, 18)

Designation	Dimension
C	40.5
D	21.5
E	12.7
F	0.75
G	5.1
H	15.5
J	25.9
K	31
L	31.75

Note: "A" port is available only for PCS004 and PCLS004 controls



## PRESSURE/FLOW-RATE CONTROLS

### STANDARD CONTROL

#### Hydraulic single-stage pressure control.

This standard control enables the pump displacement to be adjusted (until "zero flow setting" condition) according to the flow-rate required by the hydraulic system, keeping the working pressure constant and equal to the value set on the compensator device.

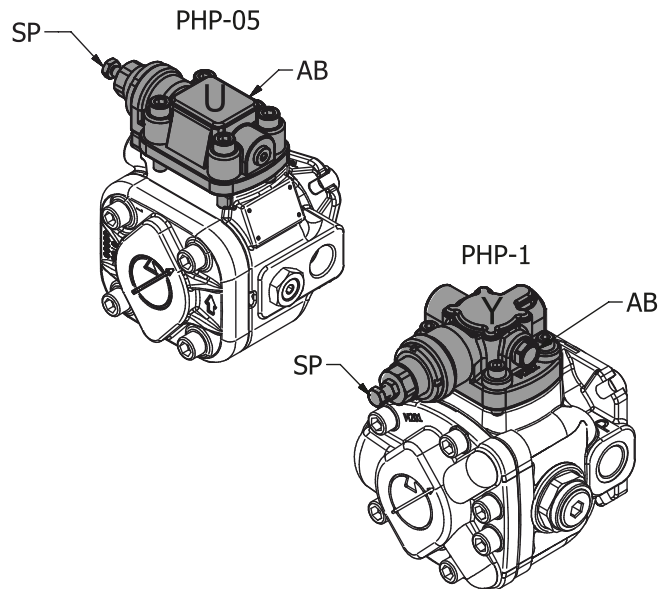
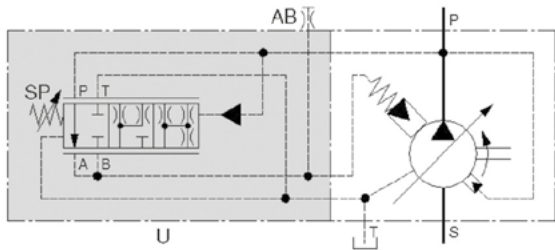
The pressure setting of the compensator device is adjusted by means of the "SP" pressure setting screw and locked using the corresponding locknut.

Properties	
Pressure setting range	20 – 250 bar

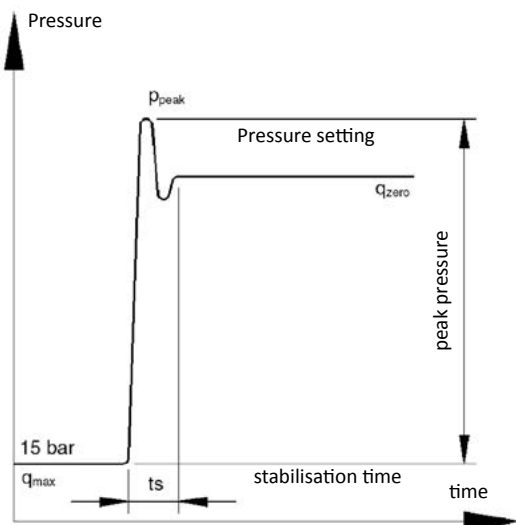
Control Devices	
"U" "Y"	Standard pressure compensator device

Pressure setting	
Pressure setting screw	CH 13 mm HEX
Pressure setting locknut	CH 13 mm HEX
Clockwise rotation increases the pressure setting	

Connections	
"AB" – Air Bleed	1/4" Gas BSP ■
■	Supplied port closed



For overall dimensions please see pages 8-9



Dynamic characteristics of pressure compensator device				
Test: full flow → zero flow setting condition				
Pump type	15 → 210 bar		15 → 250 bar	
	p <sub>peak</sub>	t <sub>s</sub>	p <sub>peak</sub>	t <sub>s</sub>
01 PHP 05	250 bar	50 ms	285 bar	40 ms
01 PHP 1	270 bar	80 ms	320 bar	60 ms

Testing conditions on Berarma test machine:

- Dynamic response curves obtained by abruptly closing the pump outlet using a solenoid operated directional valve located around 0.5 m from the pump outlet port.
- HM hydraulic fluid according to ISO 6743/4, ISO VG32 according to ISO 3448, temperature 48°C, 1500 rpm
- **PRESSURE PEAKS EXCEEDING 30% OF THE MAXIMUM OPERATING PRESSURE MUST BE ELIMINATED**



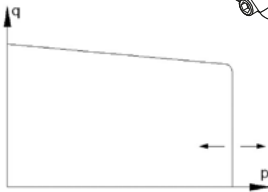
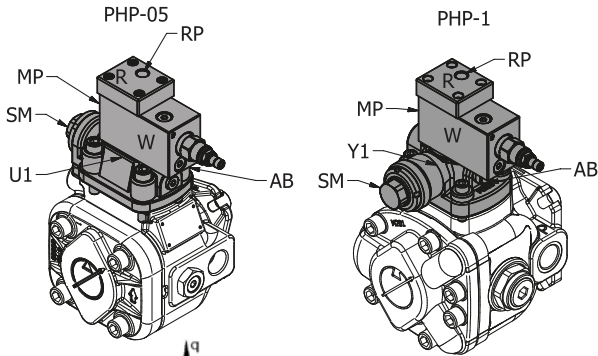
## PCS002 CONTROL

### Hydraulic control with remote pressure setting.

The function of this control is the same as the standard control function with the addition of the possibility of adjusting the working pressure by means of an additional maximum pressure relief valve "RV" installed in a remote position, far from the pump.

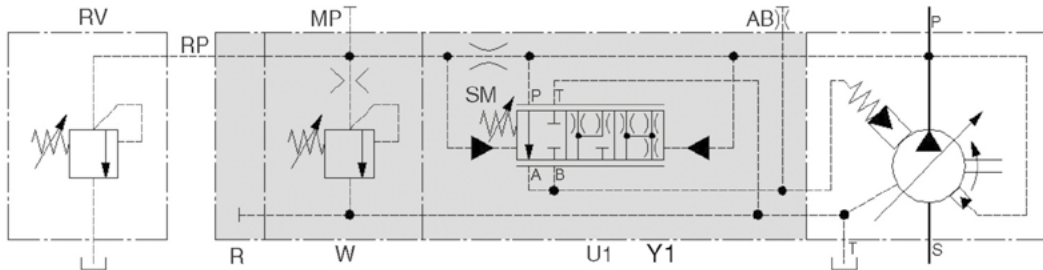
Control performances depends on the additional valve type and on its distance from the pump.

Properties	
Pressure setting range	20 – 250 bar



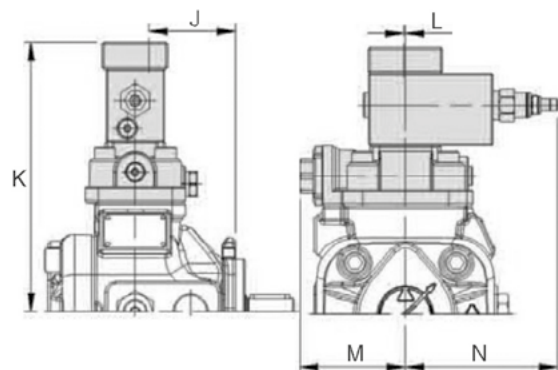
Control Devices	
"U1" "Y1"	Pressure compensator device for additional controls
"SM"	"Minimum pressure" spring adjustment (factory preset at 20 bar – do not tamper)
"W"	Maximum pressure relief valve (factory preset at maximum value 250 bar)
"R"	Remote control block
"RV"	Additional remote maximum pressure relief valve (Properties: 0 - 5 l/min (not supplied))

Connections	
"AB" – Air Bleed	1/4" Gas BSP ■
"MP" – Pressure gauge	1/4" Gas BSP ■
"RP" – Remote control port	1/4" Gas BSP □
The pilot pipe length between the pump and the additional valve "RV" must not exceed 5m.	
□	Must be connected
■	Supplied port closed



Designation	Dimensions	
	SIZE 05	SIZE 1
J	66	76
K	203	204
L	1.3	1.3
M	81	-
N	117	117

Indicative dimensions. For further information please contact Berarma Technical-Sales Service.



PRESSURE / FLOW-RATE CONTROLS

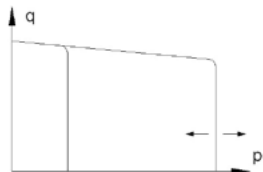
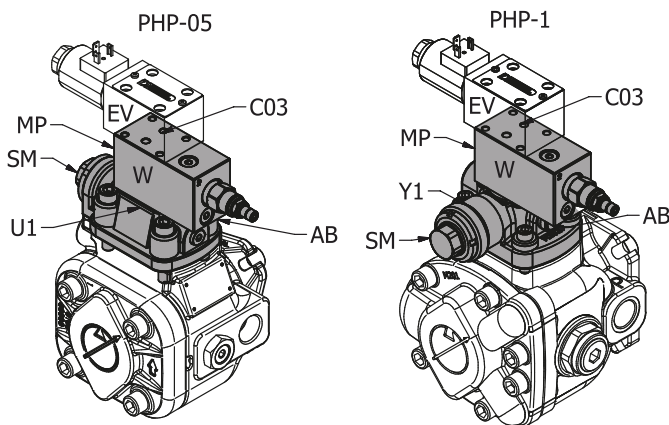
**PCS003 CONTROL**

**Hydraulic two-stage pressure control, one with fixed setting.**

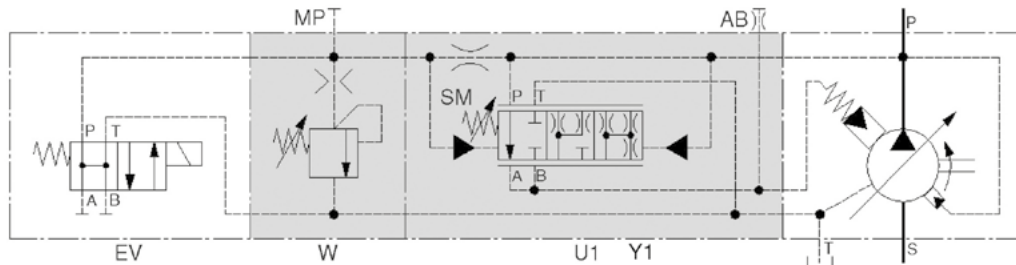
The function of this control is the same as the standard control with the addition of the option to mount a directional control valve "EV" on the top of the compensator in order to switch between two working pressure levels, one of which is fixed. Control performance depends on the type of additional directional control valve.

Properties	
1st pressure level	Factory fixed preset at 20 bar – Do not tamper
2nd adjustable pressure level	20 – 250 bar

Control Devices	
"U1" "Y1"	Pressure compensator device for additional controls
"SM"	"Minimum pressure" spring adjustment (1st pressure level at fixed pressure setting) Do not tamper
"W"	Maximum pressure relief valve (2nd adjustable pressure level)
"EV"	Directional control valve ( <b>supplied only on request</b> ) For information please contact Berarma Technical-Sales Service.

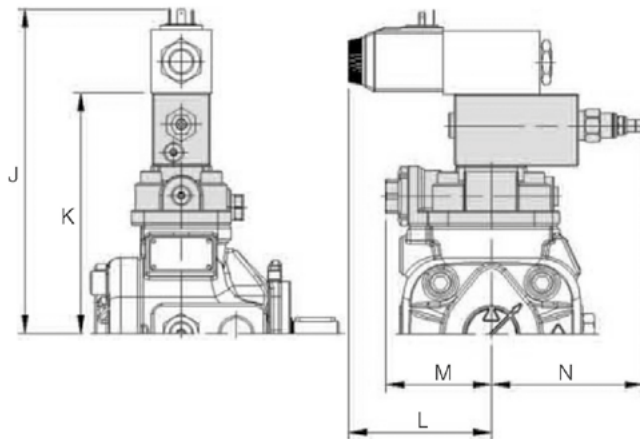


Connections	
"AB" – Air Bleed	1/4" Gas BSP ■
"MP" – Pressure gauge	1/4" Gas BSP ■
Surface – "C03" (See pages 8-9)	ISO 4401-03 (CETOP 03) □
■	Supplied port closed
□	Must be connected



Designation	Dimensions	
	SIZE 05	SIZE 1
J	(*)	(*)
K	183	184
L	(*)	(*)
M	81	-
N	117	117

(\*): Please consult the directional control valve catalogue Indicative dimensions. For further information please contact Berarma Technical-Sales Service.



## PCS004 CONTROL

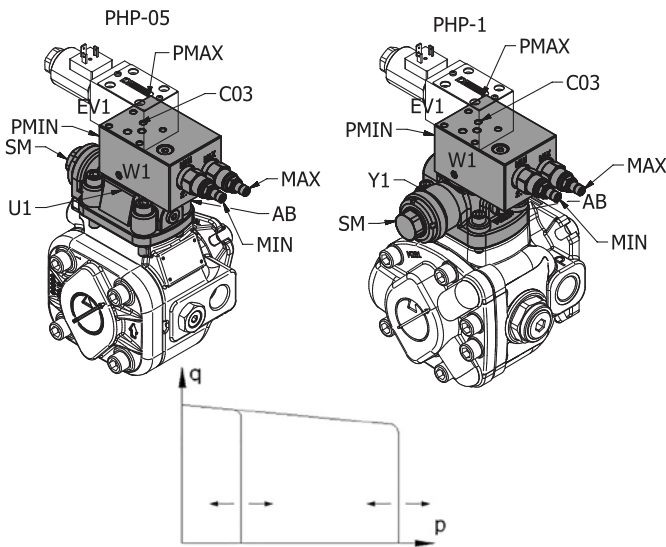
### Hydraulic two-stage pressure control, both adjustable.

The function of this control is the same as the standard control with the addition of the option to mount a directional control valve "EV1" on the top of the compensator in order to switch between two adjustable working pressure levels.

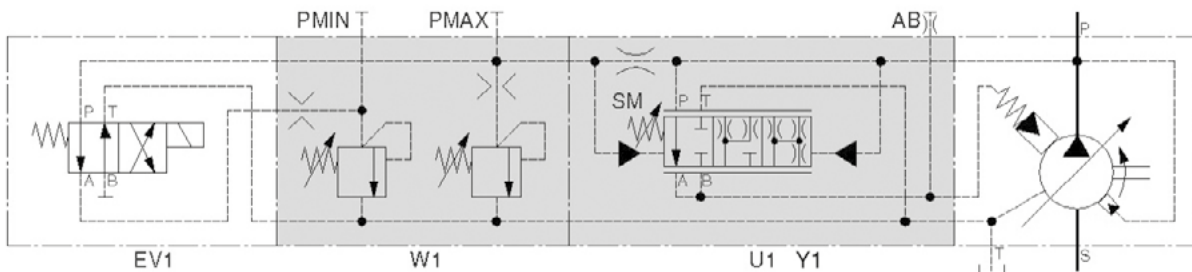
Control performance depends on the type of additional directional control valve.

Properties	
1st adjustable pressure level	20 – 250 bar
2nd adjustable pressure level	20 – 250 bar
Note: 1st adjustable pressure level < 2nd adjustable pressure level	

Control Devices	
"U1" "Y1"	Pressure compensator device for additional controls
"SM"	"Minimum pressure" spring adjustment (factory preset at 20 bar – do not tamper)
"W1"	Maximum pressure relief valve block "MIN" 1st adjustable pressure level "MAX" 2nd adjustable pressure level
"EV1"	Directional control valve ( <b>supplied only on request</b> ) For information please contact Berarma Technical-Sales Service.

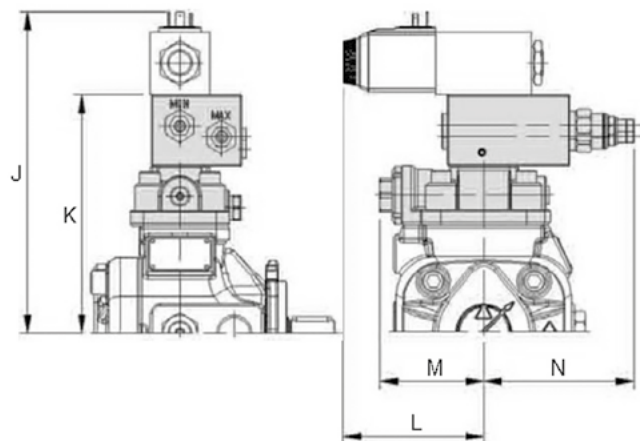


Connections	
"AB" – Air Bleed	1/4" Gas BSP ■
Pressure gauge	"PMIN" 1/4" Gas BSP ■ "PMAX" 1/4" Gas BSP ■
Surface – "C03" (See pages 8-9)	ISO 4401-03 (CETOP 03) □
■	Supplied port closed
□	Must be connected



Designation	Dimensions	
	SIZE 05	SIZE 1
J	(*)	(*)
K	183	184
L	(*)	(*)
M	81	-
N	117	117

(\*): Please consult the directional control valve catalogue Indicative dimensions. For further information please contact Berarma Technical-Sales Service.



**PRESSURE / FLOW-RATE CONTROLS**

**PCS005 CONTROL**

**Hydraulic control with proportional pressure adjustment.**

This control, with integrated proportional valve "W2" mounted on top of the compensator, enables the pump working pressure to be adjusted proportionally by means of an electrical signal.

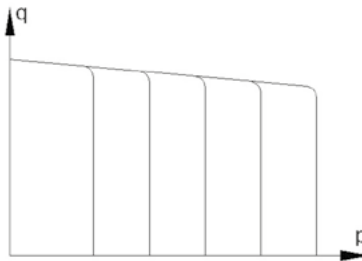
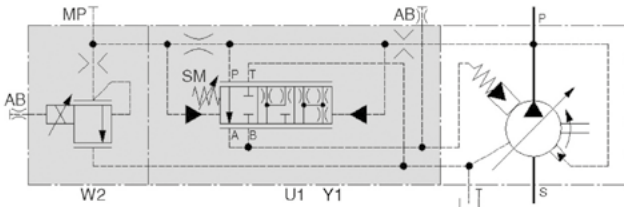
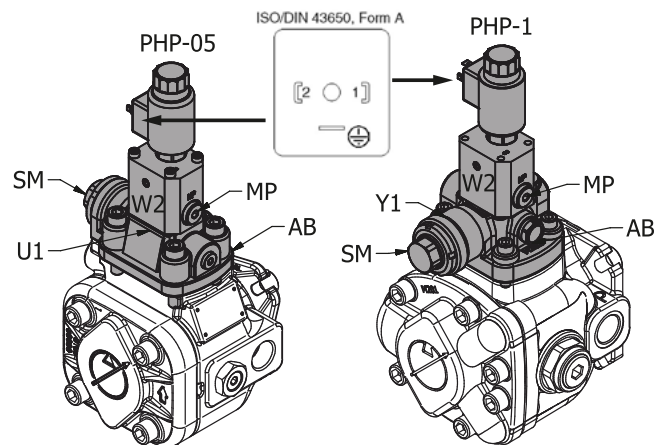
Control performance depends on the type of electronic control unit for the proportional valve (**unit supplied on request only**).

Properties	
Pressure setting range	20 – 250 bar
Electrical properties	
Voltage	24 VDC ±10%
Maximum current	590 mA
Power consumption	22 Watt
Nominal coil resistance at 50°C	37.2 Ω ±5%
Nominal coil resistance at 20°C	26.2 Ω ±5%
Maximum coil temperature at 20°C	105°C
Protection class	IP65
Recommended Dither frequency	160 – 200 Hz (*)
Linearity, Hysteresis, Repeatability	< 5% (*)
Connections	ISO/DIN 43650, Form A

(\*): Depends on electronic control unit for the proportional valve  
For available electronic control unit types, please contact Berarma Technical-Sales Service.

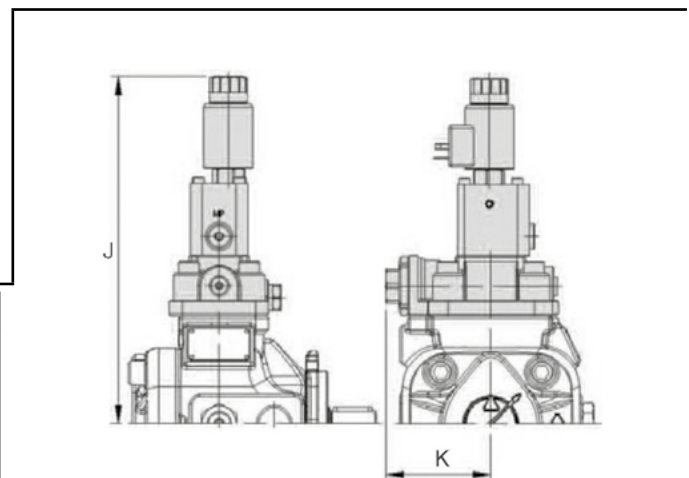
Control Devices	
"U1" "Y1"	Pressure compensator device for additional controls
"SM"	"Minimum pressure" spring adjustment (factory preset at 20 bar do not tamper)
"W2"	Proportional maximum pressure relief valve

Connections	
"AB" – Air Bleed	1/4" Gas BSP ■
"MP" – Pressure gauge	1/4" Gas BSP ■
■	Supplied port closed



Designation	Dimensions	
	SIZE 05	SIZE 1
J	272	272
K	81	-

Indicative dimensions. For further information please contact Berarma Technical-Sales Service.



## PCLS001 CONTROL

### Hydraulic control with Load Sensing device and single-stage pressure control.

The Load Sensing control system adds to the pressure setting adjustment system of the compensator device the option of regulating the pump flow-rate according to the pressure difference  $\Delta p$  measured on either side of a throttle valve.

The pilot pressure of the Load Sensing compensator device is taken from the pump outlet line after throttle valve "Z" (manual or proportional) and before the actuators. Changing the position of the throttle valve, with a fixed pressure drop equal to the "differential pressure  $\Delta p$ " value, the Load Sensing system automatically adjusts the pump displacement independently of pressure variations that occur in the hydraulic system.

The Load Sensing control produces a notable reduction in displaced power and is recommended for use in applications where there are significant variations in torque (force) and speed.

In the PCLS001 control system, the adjustment of the single-stage pressure setting of the compensator device occurs by means of the maximum pressure relief valve "W".

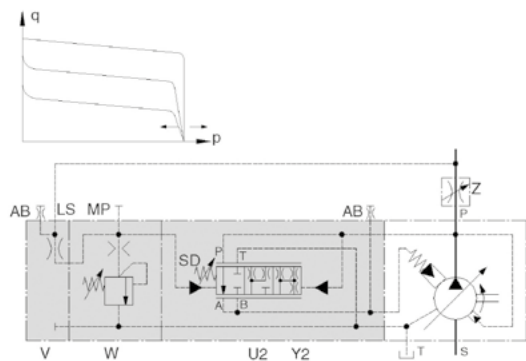
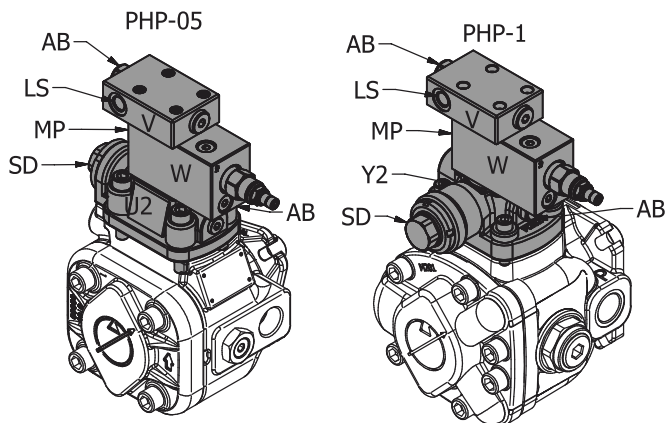
Note: when the throttle valve "Z" is completely closed, the pump will be in "zero flow setting condition", keeping the working pressure constant and equal to the "differential pressure  $\Delta p$ " value.

Control performance depends on the type of throttle valve "Z" and on the length / dimensions of the Load Sensing pilot pressure line.

Connections	
"AB" – Air Bleed	1/4" Gas BSP ■
"MP" – Pressure gauge	1/4" Gas BSP ■
"LS" – Load Sensing port	1/4" Gas BSP □
The length between the throttle valve and the Load Sensing port must not exceed 5m.	
■	Supplied port closed
□	Must be connected

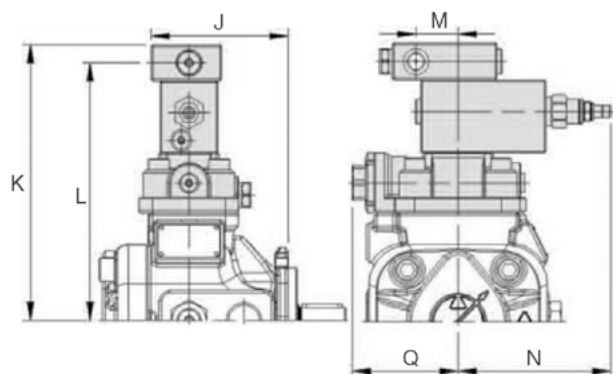
Properties	
Pressure setting range	20 – 250 bar
Differential pressure $\Delta p$	$\geq 20$ bar

Control Devices	
"U2" "Y2"	Load Sensing pressure compensator device
"SD"	Differential pressure $\Delta p$ adjustment
"W"	Maximum pressure relief valve
"V"	Load Sensing Block
"Z"	Throttle valve (manual or proportional) <b>(not supplied)</b>



Designation	Dimensions	
	SIZE 05	SIZE 1
J	105	115
K	211	212
L	197	198
M	32	32
N	117	117
Q	81	-

Indicative dimensions. For further information please contact Berarma Technical-Sales Service.



**PCLS002 CONTROL**

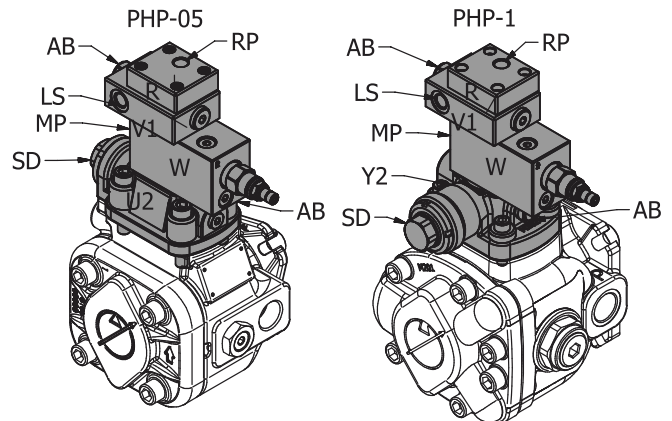
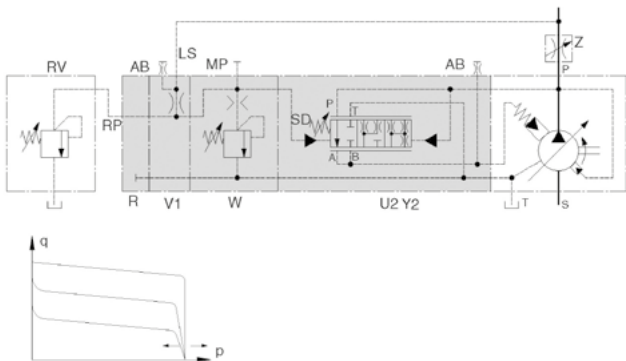
**Hydraulic control with Load Sensing device and remote pressure setting.**

The function of this control is the same as the standard control function with the addition of the possibility of adjusting the working pressure by means of an additional maximum pressure relief valve "RV" installed in a remote position, far from the pump. Control performance depends on type of throttle valve "Z", on the length / dimensions of the Load Sensing pilot pressure line, on the type of additional valve "RV", and on its distance from the pump.

Properties	
Pressure setting range	20 – 250 bar
Differential pressure $\Delta p$	$\geq 20$ bar

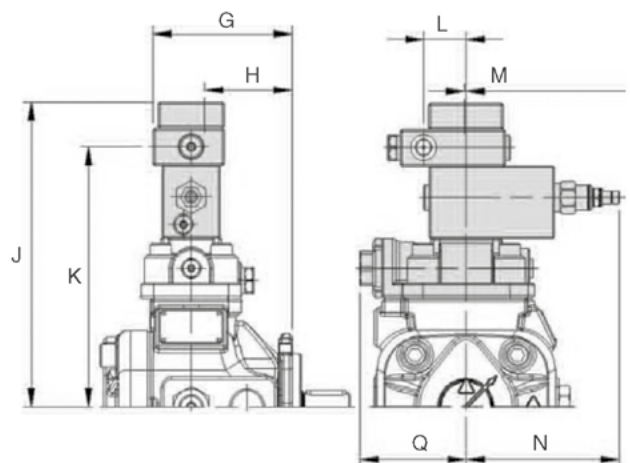
Connections	
"AB" – Air Bleed	1/4" Gas BSP ■
"MP" – Pressure gauge	1/4" Gas BSP ■
"LS" – Load Sensing port	1/4" Gas BSP □
The length between the throttle valve and the Load Sensing port must not exceed 5m.	
"RP" – Remote control port	1/4" Gas BSP □
The length of the remote pilot pipe between the pump and the additional valve "RV" must not exceed 5m.	
■	Supplied port closed
□	Must be connected

Control Devices	
"U2" "Y2"	Load Sensing pressure compensator device
"SD"	Differential pressure $\Delta p$ adjustment
"W"	Maximum pressure relief valve (factory preset at maximum value 250 bar)
"V1"	Load Sensing Block for additional controls
"R"	Remote control block
"Z"	Throttle valve (manual or proportional) <b>(not supplied)</b>
"RV"	Additional remote maximum pressure relief valve (Properties: 0 - 5 l/min) <b>(not supplied)</b>



Designation	Dimensions	
	SIZE 05	SIZE 1
G	105	115
H	66	76
J	231	232
K	197	198
L	32	32
M	1.3	1.3
N	117	117
Q	81	-

Indicative dimensions. For further information please contact Berarma Technical-Sales Service.





## PCLS003 CONTROL

**Hydraulic control with Load Sensing device and two-stage pressure control, one with fixed setting.**

The function of this control is the same as the Load Sensing standard control with the addition of the option to mount a directional control valve "EV" on the top of the compensator in order to switch between two working pressure levels, one of which is fixed. Control performance depends on the type of throttle valve "Z", on the length / dimensions of the Load Sensing pilot pressure line, and on the type of additional directional control valve.

Properties	
Differential pressure $\Delta p$ (1st pressure level)	Factory fixed preset at $\geq 20$ bar
2nd adjustable pressure level	20 – 250 bar

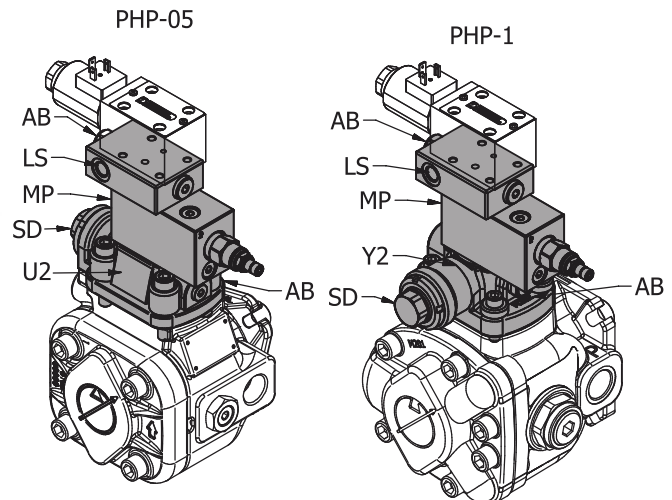
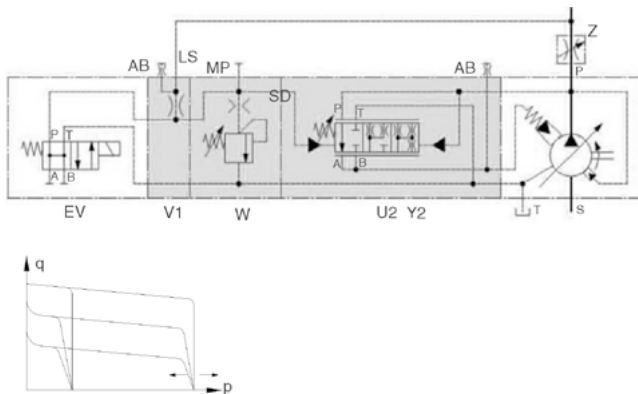
  

Connections	
"AB" – Air Bleed	1/4" Gas BSP ■
"MP" – Pressure gauge	1/4" Gas BSP ■
"LS" – Load Sensing port	1/4" Gas BSP □

The length between the throttle valve and the Load Sensing port must not exceed 5m.

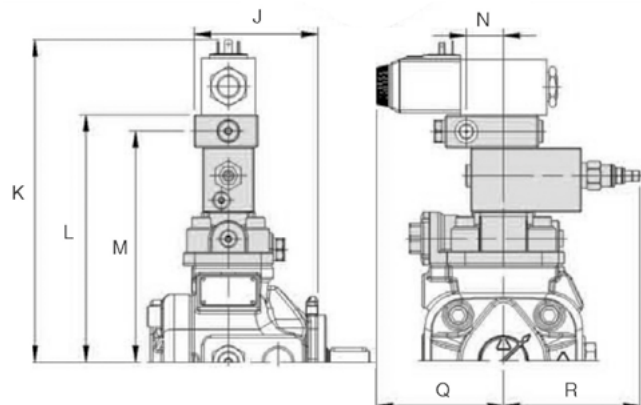
Surface – "C03" (See pages 8-9)	ISO 4401-03 (CETOP 03) □
■	Supplied port closed
□	Must be connected

Control Devices	
"U2" "Y2"	Load Sensing pressure compensator device
"SD"	Differential pressure $\Delta p$ adjustment (1st pressure level at fixed pressure setting)
"W"	Maximum pressure relief valve (2nd adjustable pressure level)
"V1"	Load Sensing Block for additional controls
"EV"	Directional control valve ( <b>supplied only on request</b> ) For information please contact Berarma Technical-Sales Service
"Z"	Throttle valve (manual or proportional) ( <b>not supplied</b> )



Designation	Dimensions	
	SIZE 05	SIZE 1
J	105	115
K	(*)	(*)
L	211	212
M	197	198
N	32	32
Q	(*)	(*)
R	117	117

(\*): Please consult the directional control valve catalogue Indicative dimensions. For further information please contact Berarma Technical-Sales Service.



**PCLS004 CONTROL**

**Hydraulic control with Load Sensing device and two-stage pressure control, both adjustable.**

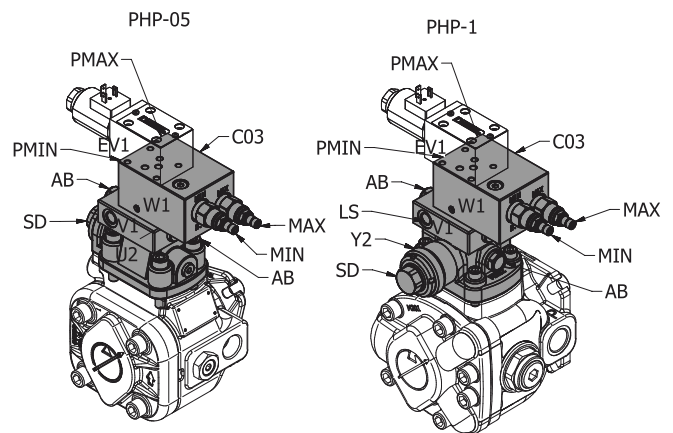
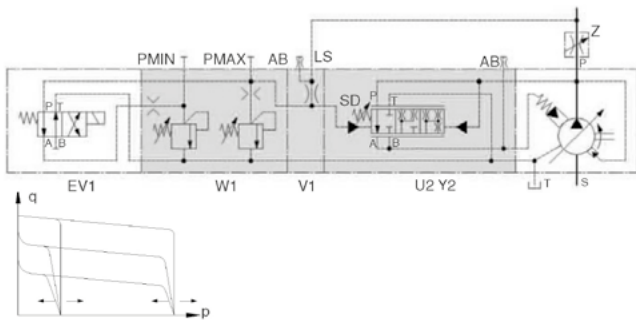
The function of this control is the same as the Load Sensing standard control with the addition of the option to mount a directional control valve "EV1" on the top of the compensator in order to switch between two adjustable working pressure levels.

Control performance depends on the type of throttle valve "Z", on the length / dimensions of the Load Sensing pilot pressure line, and on the type of additional directional control valve.

Properties	
1st adjustable pressure level	20 – 250 bar
2nd adjustable pressure level	20 – 250 bar
Note: 1st adjustable pressure level < 2nd adjustable pressure level	
Differential pressure Δp	≥ 20 bar

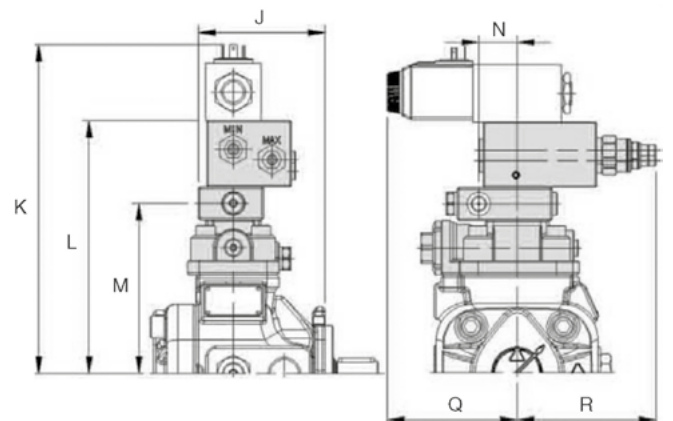
Connections	
"AB" – Air Bleed	1/4" Gas BSP ■
Pressure gauge	"PMIN" "PMAX" 1/4" Gas BSP ■
"LS" – Load Sensing port	1/4" Gas BSP □
The length between the throttle valve and the Load Sensing port must not exceed 5m.	
Surface – "C03" (See pages 8-9)	ISO 4401-03 (CETOP 03) □
■	Supplied port closed
□	Must be connected

Control Devices	
"U2" "Y2"	Load Sensing pressure compensator device
"SD"	Differential pressure Δp adjustment
"W1"	Maximum pressure relief valve block "MIN" 1st adjustable pressure level "MAX" 2nd adjustable pressure level
"V1"	Load Sensing Block for additional controls
"EV1"	Directional control valve ( <b>supplied only on request</b> ) For information please contact Berarma Technical-Sales Service
"Z"	Throttle valve (manual or proportional) ( <b>not supplied</b> )



Designation	Dimensions	
	SIZE 05	SIZE 1
J	105	115
K	(*)	(*)
L	211	212
M	142	143
N	32	32
Q	(*)	(*)
R	117	117

(\*): Please consult the directional control valve catalogue Indicative dimensions. For further information please contact Berarma Technical-Sales Service.



## PCLS005 CONTROL

**Hydraulic control with Load Sensing device and proportional pressure adjustment.**

This control, with integrated proportional valve "W2" on the top of the compensator, adds to the adjustment of the pump flow-rate through the Load sensing system the possibility of proportionally setting the pump working pressure by means of an electrical signal.

Control performance depends on the type of throttle valve "Z", on the length / dimensions of the Load Sensing pilot pressure line, and on the proportional valve electronic control unit (**unit supplied only on request**).

Properties	
Pressure setting range	20 – 250 bar
Differential pressure $\Delta p$	$\geq 20$ bar

Electrical properties	
Voltage	24 VDC $\pm 10\%$
Maximum current	590 mA
Power consumption	22 Watt
Nominal coil resistance at 50°C	37.2 $\Omega \pm 5\%$
Nominal coil resistance at 20°C	26.2 $\Omega \pm 5\%$
Maximum coil temperature at 20°C	105°C
Protection class	IP65
Recommended Dither frequency	160 – 200 Hz (*)
Linearity, Hysteresis, Repeatability	< 5% (*)
Connections	ISO/DIN 43650, Form A

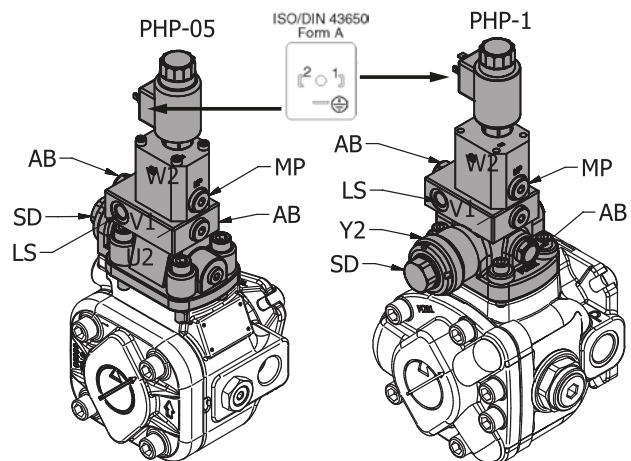
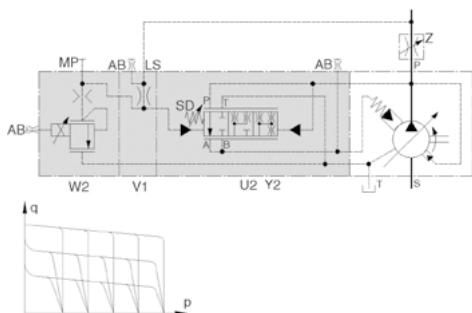
(\*): Depends on electronic control unit for the proportional valve  
For available electronic control unit types, please contact Berarma Technical-Sales Service.

Control Devices	
"U2" "Y2"	Load Sensing pressure compensator device
"SD"	Differential pressure $\Delta p$ adjustment
"W2"	Proportional maximum pressure relief valve
"V1"	Load Sensing Block for additional controls
"Z"	Throttle valve (manual or proportional) <b>(not supplied)</b>

Connections	
"AB" – Air Bleed	1/4" Gas BSP ■
"MP" – Pressure gauge	1/4" Gas BSP ■
"LS" – Load Sensing port	1/4" Gas BSP □

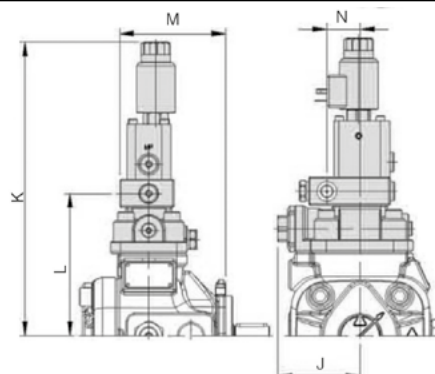
The length between the throttle valve and the Load Sensing port must not exceed 5m.

■	Supplied port closed
□	Must be connected



Designation	Dimensions	
	SIZE 05	SIZE 1
J	81	-
K	300	301
L	142	143
M	105	115
N	32	32

Indicative dimensions. For further information please contact Berarma Technical-Sales Service.



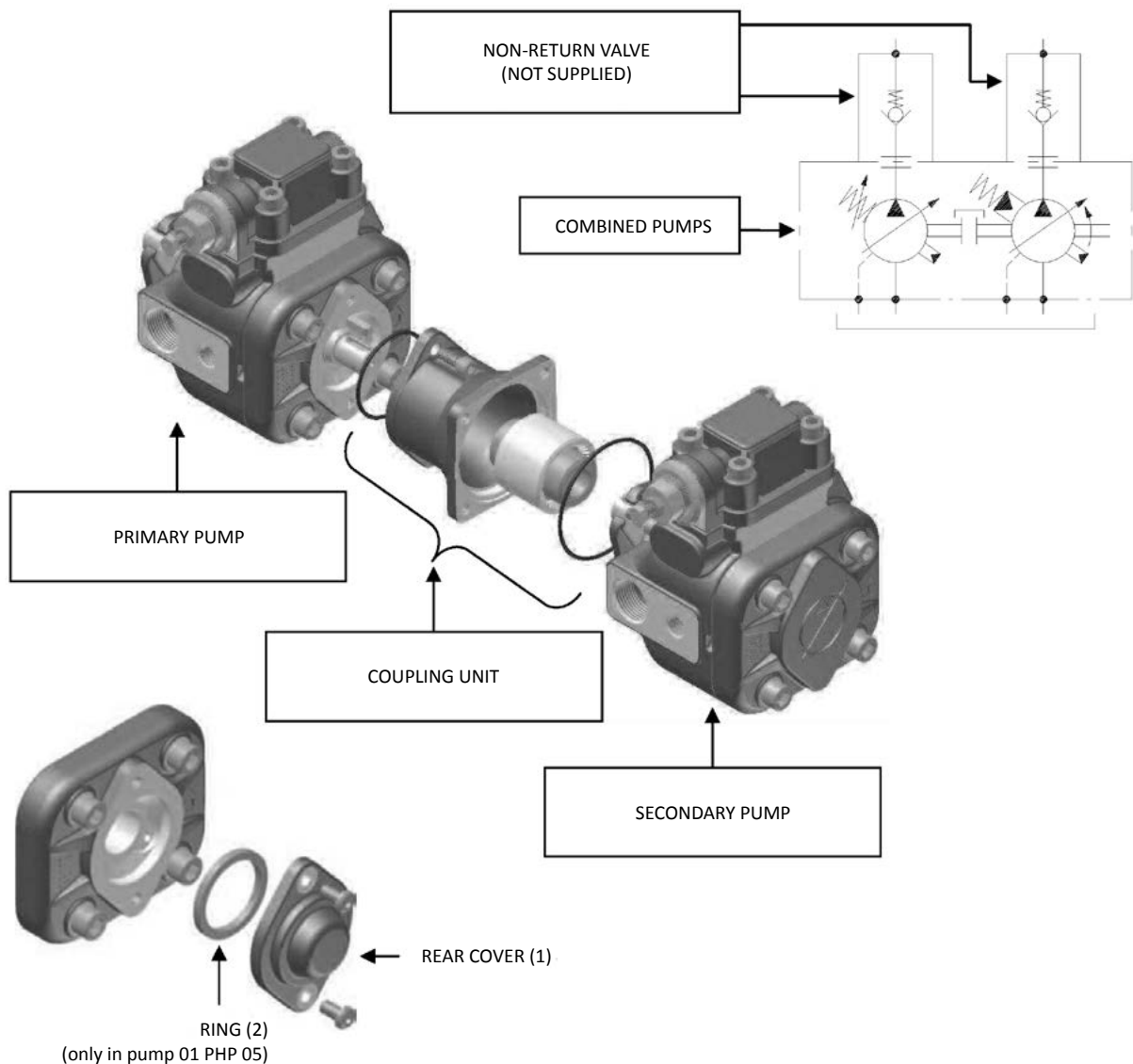
## COMBINED PUMPS

On request, BERARMA pumps from the 01 PHP series can be set up for coupling:

- to pumps belonging to the same 01 PHP series;
- to pumps belonging to other BERARMA series;
- to the main others types of pumps available on the fluid power market.

The 01 PHP series pumps set up for coupling are marked by the letter "A" in the ordering code. In these pumps, the shaft and the rear pump cover are set up for coupling to the various available coupling units. Unscrew the screws marked (1) from the primary pump (screws will not be re-installed)

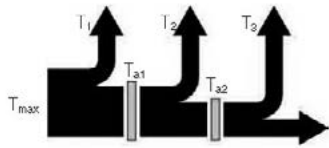
- Remove the pump cover marked as (1) from the primary pump (cover will not be re-installed)
- remove the ring marked (2) from the primary pump (ring will not be re-installed) (only for pump PHP 05)
- Mount the coupling unit, paying attention to the seals (Note: primary pump drainage fluid will fill up the coupling bell-housing)
- Mount the secondary pump



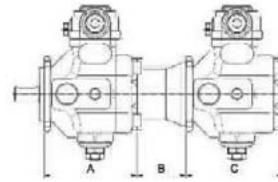
Combined pumps should be mounted in decreasing order of absorbed power, paying attention to the maximum acceptable torques (see diagram on the following page).

The ordering code for a combined pump should be specified according to coupling sequence (primary pump code + coupling unit code + secondary pump code).

- The sum of individual torques of all pumps in the complete pump combination must not exceed the maximum permissible torque value applicable to the primary pump shaft ( $T_{max}$  see page 4).
- Secondary pump torque (or sum of torques for more than one secondary pump) must not exceed the coupling unit maximum thru drive torque ( $T_a$ , see table below).



$$\begin{cases} T_1 + T_2 + T_3 < T_{max} \\ T_2 + T_3 < T_{a1} \\ T_3 < T_{a2} \end{cases}$$



PRIMARY PUMP		SECONDARY PUMP		COUPLING UNIT		
Pump type	A	Pump type	C	Code	B	Maximum thru drive torque $T_a$
01 PHP 05 16 FHRM A	139	01 PLP 05 16 F	107	3000010200	73	55 Nm
		01 PLP 05 16 FGR2	107	3000011200	72	
		01 PHP 05 16 F	145	3000010200	73	
		01 PHP 05 16 FGR2	145	3000011200	72	
		SAE "A"	(*)	3100000100	88.5	
		GEAR PUMP SIZE 1P	(**)	3000011000	64	
		GEAR PUMP SIZE 1	(**)	3000011100	64	
		GEAR PUMP SIZE 2	(**)	3000011200	72	
01 PLP 1 (20-25-32)F	<b>166</b>	3000010100	75			
01 PHP 1 (20-25-32) F...A	163	01 PLP 05 16 F	107	3000010200	73	
		01 PLP 05 16 FGR2	107	3000011200	72	
		01 PHP 05 16 F	145	3000010200	73	
		01 PHP 05 16 FGR2	145	3000011200	72	
		SAE "A"	(*)	3100000100	88.5	
		GEAR PUMP SIZE 1P	(**)	3000011000	64	
		GEAR PUMP SIZE 1	(**)	3000011100	64	
		GEAR PUMP SIZE 2	(**)	3000011200	72	
01 PLP 1 (20-25-32) F	166	3000010100	75			
01 PHP 1 (20-25-32)F	166	3000010100	75			

(\*) For the secondary pump flange dimensions please see page 22.

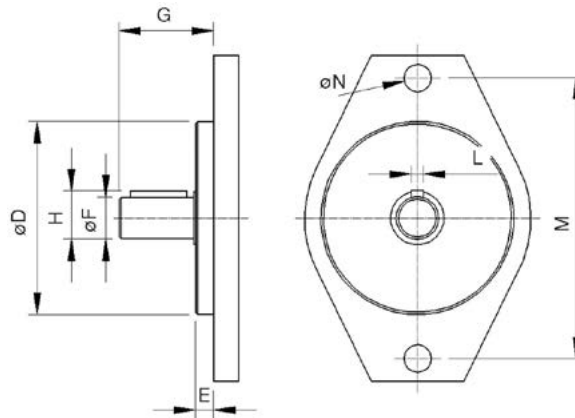
To find out the secondary pump axial dimension please see the manufacturer's catalogue.

(\*\*) For the secondary gear pump flange dimensions please see page 22.

In order find out the secondary gear pump axial dimension please see the manufacturer's catalogue.

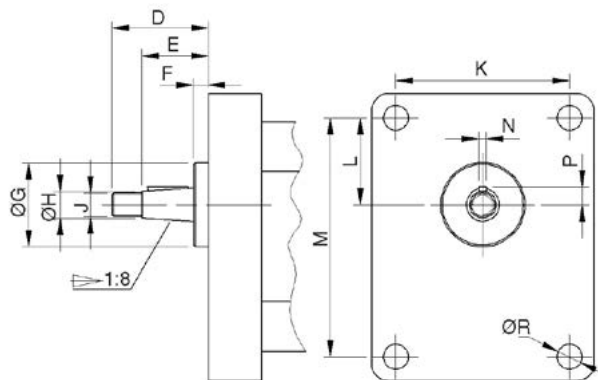
For other coupling unit types, please contact Berarma Technical-Sales Service.

**SAE FLANGE DIMENSIONS FOR BERARMA COUPLING KIT**



Secondary pump	Secondary pump with SAE flange should conform to the dimensions below								
	Ø D	E	Ø F	G		H	L	M	Ø N
				min	max				
SAE "A"	Ø82.5	7	Ø19.05	32	59	21.1	4.8	106.4	11.1

**GEAR PUMP FLANGE DIMENSIONS FOR BERARMA COUPLING KIT**



Secondary pump	Secondary gear pumps should be conform to the dimensions below											
	D	E	F	Ø G	Ø H	J	K	L	M	N	P	Ø R
gear pump 1P	29	20	4	25.4	8	M7	52.4	26.2	71.9	2.4	5.3	7.5
gear pump 1	35	23.5	5.5	30	12	M10x1	56	24.5	73	3	7.9	6.5
gear pump 2	40	28	5	36.5	14.7	M12x1.5	71.5	32.5	96	4 (*)	9.7	8.5

# SETTINGS

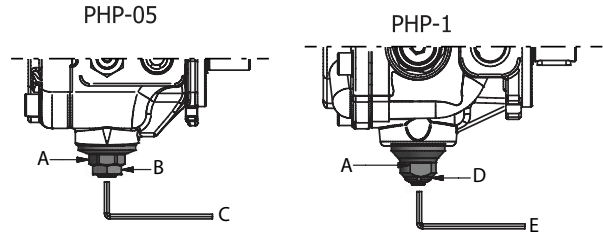
## Flow regulator unit

All BERARMA 01 PHP series pumps are equipped with a flow regulator unit. This allows the mechanical reduction of the pump displacement in relation to the nominal value.

**Warning:** If the flow regulator unit is set to less than 50% of the nominal displacement, the pump can only start on condition that the system and pump are completely filled with fluid.

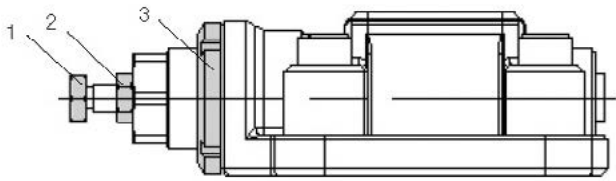
Rated Displacement	Actual displacement	Reduced displacement by screw turn	Minimum achievable displacement
Size 05 - 16	17.9 cm <sup>3</sup>	11.0 cm <sup>3</sup>	3.3 cm <sup>3</sup>
Size 1 - 20	24.2 cm <sup>3</sup>	12.8 cm <sup>3</sup>	14 cm <sup>3</sup>
Size 1 - 25	29.4 cm <sup>3</sup>	12.8 cm <sup>3</sup>	19.1 cm <sup>3</sup>
Size 1 - 32	34.5 cm <sup>3</sup>	12.8 cm <sup>3</sup>	24.2 cm <sup>3</sup>

Indicative values influenced by manufacturing tolerances

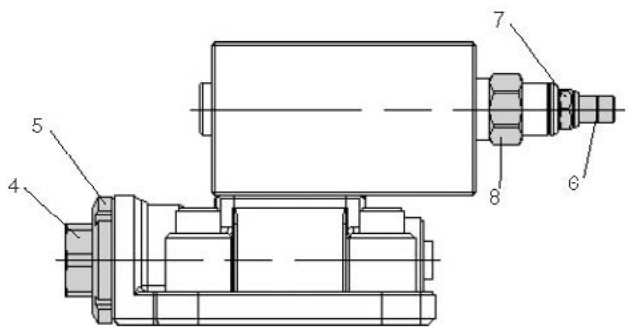


- A - DO NOT TOUCH
- B - LOCKNUT: 24 mm WRENCH
- C - ADJUSTMENT: 8 mm WRENCH
- D - KM1 SLOTTED ROUND LOCKNUT
- E - ADJUSTMENT: 6 mm WRENCH

Standard pressure compensator device		
1	Pressure setting screw Clockwise rotation increases pressure setting	CH 13 mm HEX
2	Pressure setting locknut	CH 13 mm HEX
3	Slotted round locknut - Do not tamper	5 mm slot



Pressure compensator device for additional controls Load Sensing pressure compensator device		
4	<b>Controls</b> <b>PCS002, PCS003; PCS004, PCS005</b> Minimum pressure spring adjustment - Do not tamper  <b>Controls</b> <b>PCLS001, PCLS002, PCLS003; PCLS004, PCLS005</b> Differential pressure $\Delta p$ adjustment	CH 26 mm HEX
5	Slotted round locknut	5 mm slot
6	Maximum pressure relief valve Pressure setting screw Clockwise rotation increases pressure setting	CH 5/32" HEX
7	Pressure setting locknut	CH 9/16" HEX
8	Do not tamper	CH 7/8" HEX



## INSTRUCTIONS FOR INSTALLATION AND USE

**Pumps from the 01 PHP series can be mounted in any position.**

When the pump is installed over the reservoir fluid level, pay attention to the inlet pressure (see page 4).

**Cleanliness is essential during assembly!**

Motor-pump coupling must be made with a self-aligning flexible coupling with convex teeth and a polyamide cam. When assembling make sure that:

- **the distance between the half-couplings strictly falls within the specified values (see page 25);**
- **the pump shaft and the motor shaft are accurately aligned: concentricity within 0.05 mm, angular displacement within 0.2° (see drawing);**
- **strictly no radial or axial loads on the pump shaft.**

Other types of motor-pump couplings are not permitted.

The fluid tank must be suitably sized in order to exchange the thermal power generated by the various system components and to provide a low recycle rate (tank capacity approximately 4 times the flow rate per minute of the pump). In systems where the pump runs for a long time under zero flow setting conditions, the installation of a heat exchanger in the drain line is recommended. The pressure on the drain port must never exceed the value specified on page 4.

**Maximum operating temperature must not exceed 60°C under any circumstances.**

To ensure the maximum pump working life, the inlet fluid temperature must never be above 50°C.

**Suction pipe.** The suction pipe should be as short as possible, with a small number of bends and without internal section changes. The pipe-end inside the tank should be cut at 45°, should have a minimum distance from the tank bottom of not less than 50 mm, and there should always be a minimum height of suction of 100 mm. The minimum section of the inlet pipe must be equal to the section of the thread of the pump inlet port. **The suction pipe should be completely airtight in order to avoid air intake which could be extremely damaging to the pump.**

**Drain pipe.** The drain pipe must always be independent from the other return lines, connected directly to the tank, and extended sufficiently inside the tank so as to be below the minimum fluid level to avoid generating foam and to prevent emptying when the pump is not running. Moreover, the drain pipe must also be at the highest possible position in relation to the pump in order to always prevent fluid emptying from the pump, and must be free of restrictions. **The drain pipe should be as far as possible from the suction pipe to prevent hot fluid being circulated.**

**Pressure line.** Ensure that the pressure line is strong enough. It is recommended that a non-return valve (check valve) is installed on the pump pressure line as well as an automatic air bleed valve, for trouble free operation.

Ensure that any valves, taps and gate valves on the suction and pressure pipes are fully opened and all protective caps removed. Fill the pump through the case drain port and replace the drain pipework. Check that the reservoir is full of fluid.

**Ensure that the pump shaft can be rotated manually without any resistance.**

Check that the motor rotation direction is the same as the pump rotation direction: right-hand rotation (clockwise) viewed from shaft end of the pump.

Start the motor (in jogging mode), allowing free circulation of fluid to the tank in order to facilitate priming.

**The pump should prime within 5 seconds. If it does not, switch it off and investigate the cause. The pump should not run empty.**

**During INITIAL INSTALLATION, the pump must run under maximum flow conditions (P connected to T), with the fluid flowing directly into the tank, without pressure for several minutes.** Care should be taken to eliminate all the air from the system during this process. To facilitate this operation, there is an air bleed port on the pressure compensator device: unscrew the cap to bleed the air and then close the cap.

Subsequent start-ups under zero flow setting conditions are admissible only with pressure not exceeding 30 bar, and with the system and pump completely filled with fluid.

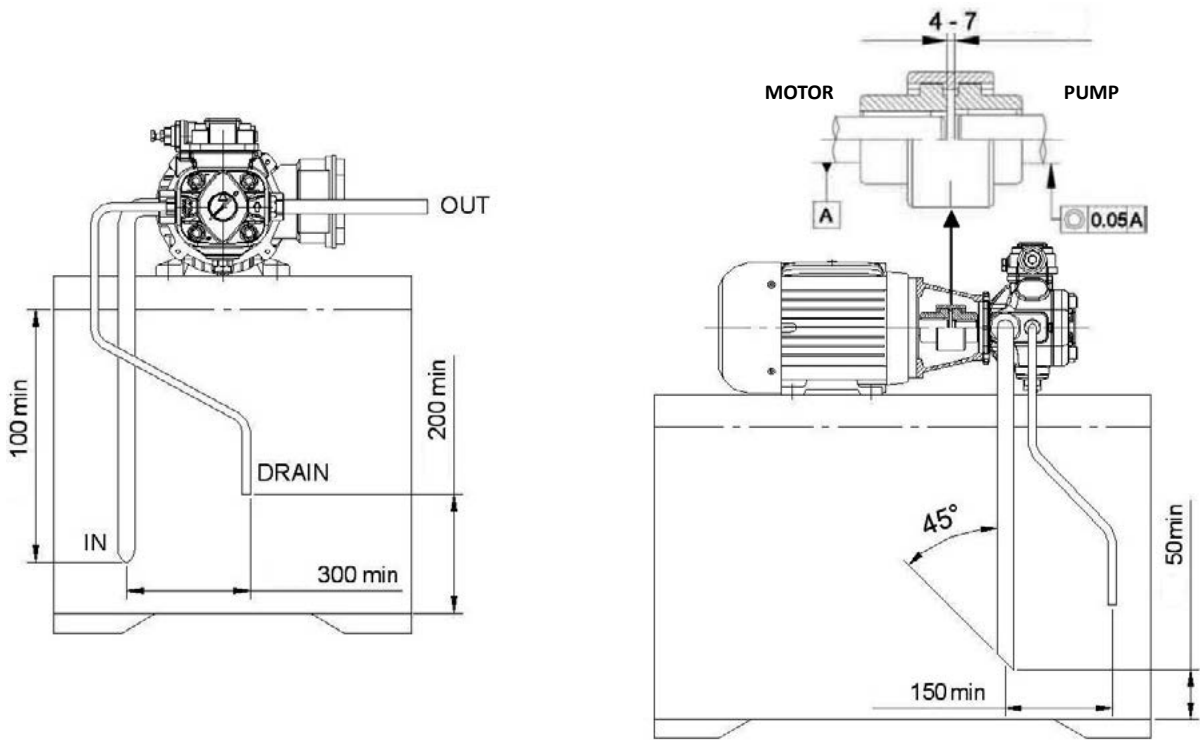
**If the flow regulator unit is set to less than 50% of the nominal flow-rate, the pump can only start on condition that the system and the pump are completely filled with fluid.**



During the initial and subsequent starting operations, it is necessary that the pump (ambient) and fluid temperature do not differ by more than 20°C. If this is the case, the pump should be switched on only for short intervals of approximately 1-2 seconds (start/stop mode) without pressure, until the temperatures are balanced.

All Berarma products are covered by a **1 YEAR WARRANTY** for manufacturing or material defects effective from the shipment date, but in any case **NO LONGER THAN 18 MONTHS FROM THE PRODUCTION BATCH DATE**. The warranty is for the exclusive benefit of the original purchaser of the products.

For further information, please contact the Berarma Technical-Sales Service.



# ASSEMBLY

## ASSEMBLY

E.G. 01-PHP-05-16-FHRM

