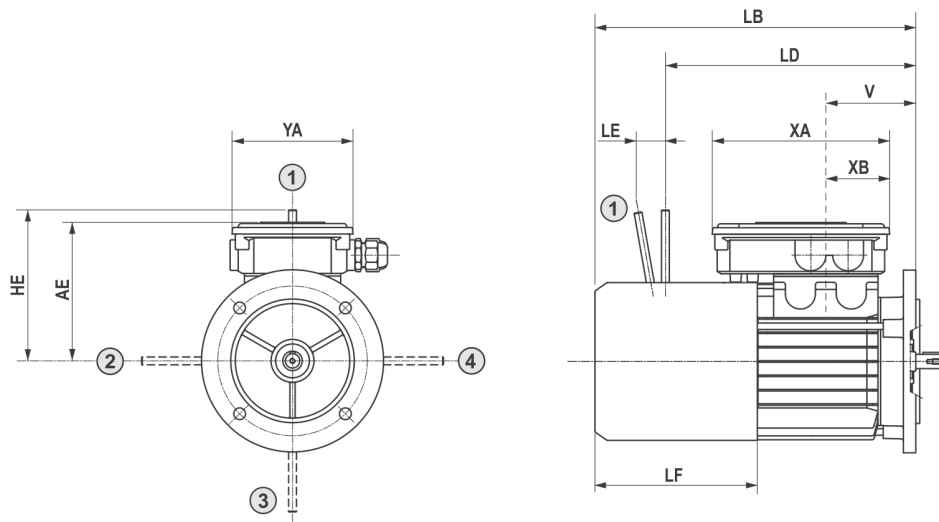


**Dimensioni motori autofrenanti / Dimensions, brake motors / Dimensions moteurs freins / Abmessungen Bremsmotoren / Dimensiones de los motores-freno / 尺寸, 制动发电机**



		Pg	Ø		XA	XB	YA
			min	max			
<b>63 - 71 - 80</b>	a.c. / d.c. AC / DC	M16x1.5	5	10	150	50	100
<b>90 - 100 - 112</b>	c.a. / c.c. a.c. / d.c.	M20x1.5	6	12	195	60	125
<b>132 - 160</b>	c.a. / c.c. AC/DC	M20x1.5	6	12	145	75	145

		LD	LE	HE	LB	LF	AE	V
<b>63</b>	MS	192	21	116	246	124.5	119	69
	FM	192	17.5	96				
	ML	-	-	-				
<b>71</b>	MS	211.5	23	124	276	137	129	74.5
	FM	214	19	101.5				
	ML	182	18	103				
<b>80</b>	MS	238	23	134	304	152	137	78
	FM	237	22.5	129				
	ML	203	22	128				
<b>90S</b>	MS	252.5	27.5	160	324.5	166	157	89.5
	FM	255	28	159.5				
	ML	212.5	22	128				
<b>90L</b>	MS	279	28	160	349.5	166	157	89.5
	FM	279	27.5	159.5				
	ML	237.5	22	128				
<b>100</b>	MS	307	28	160	389.5	183	168	97.5
	FM	307	27.5	159.5				
	ML	267	26	148				
<b>112</b>	MS	330	34.5	198	419	201	183	100
	FM	326	35	199				
	ML	281	26	148				
<b>132S</b>	MS	364	34.5	200	461.5	212	230	115.5
	FM	359	35.5	204				
	ML	317.5	30	172				
<b>132M</b>	MS	404.5	37.5	217	513.5	212	230	115.5
	FM	403.5	39	226				
	ML	355.5	30	172				
<b>160S</b>	MS	404.5	37.5	217	513.5	212	230	115.5
	FM	403.5	39	226				
	ML	355.5	30	172				