

Information required when ordering replacement parts:

- Give part number of parts needed, brake model number and brake serial number. The brake model and serial number may identify special brakes not covered by this parts list.
- When ordering hubs, specify shaft diameter (hub bore) and keyway.
- Consult factory regarding support plate assembly for vertical and extra items.
- Enclosures are designated as follows: **O** = Standard
E = Dust-tight, waterproof (DTWP)

General Information

- For vertical details, see P/N 8-078-932-06 and SA-701.

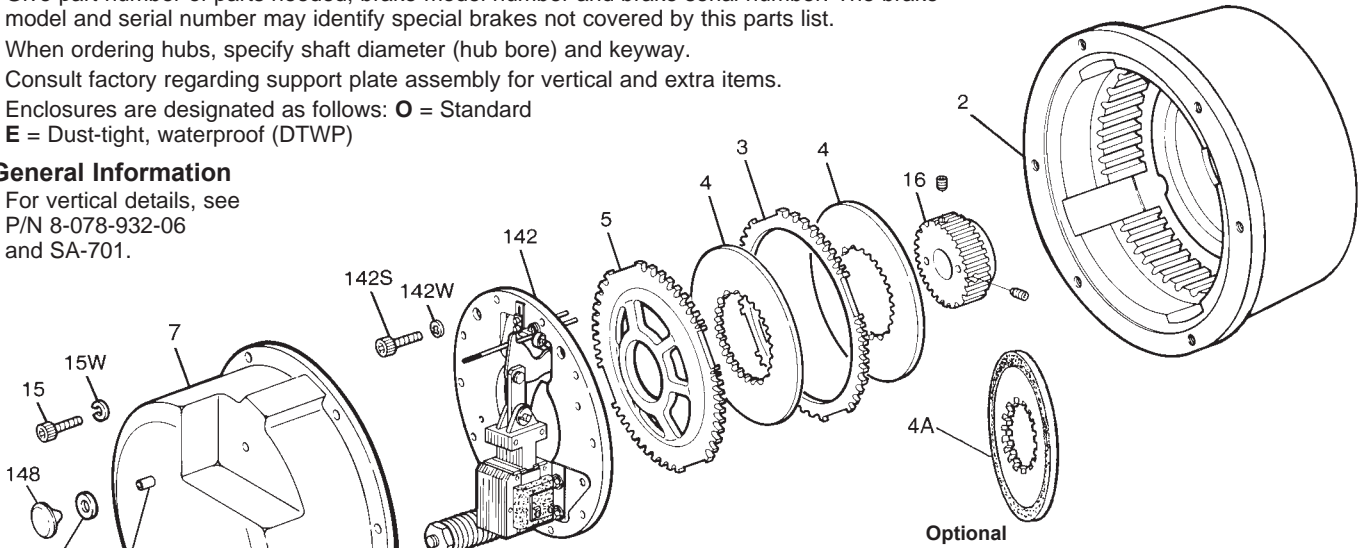


TABLE 1
Components of Standard Horizontal AC or DC Units

Torque (lb-ft)	125		175		230		330		440		550	
	AC	DC	AC	DC	AC	DC	AC	DC	AC	DC	AC	DC
Enclosure	O	E	O	E	O	E	O	E	O	E	O	E
Brake Model Number→	Part Number↓											
2	1	1	1	1	1	1	1	1	1	1	1	1
2S	1	1	1	1	1	1	1	1	1	1	1	1
3	1	1	1	1	1	1	1	1	1	1	1	1
4	2	2	2	2	2	2	2	2	2	2	2	2
4A												
5	1	1	1	1	1	1	1	1	1	1	1	1
7	1	1	1	1	1	1	1	1	1	1	1	1
optional 7B	1	1	1	1	1	1	1	1	1	1	1	1
7D	1	1	1	1	1	1	1	1	1	1	1	1
7S	1	1	1	1	1	1	1	1	1	1	1	1
15	6	6	6	6	6	6	6	6	6	6	6	6
15W	6	6	6	6	6	6	6	6	6	6	6	6
16	1	1	1	1	1	1	1	1	1	1	1	1
69	1	1	1	1	1	1	1	1	1	1	1	1
140	1	1	1	1	1	1	1	1	1	1	1	1
142	1	1	1	1	1	1	1	1	1	1	1	1
142S	6	6	6	6	6	6	6	6	6	6	6	6
142W	6	6	6	6	6	6	6	6	6	6	6	6
148	1	1	1	1	1	1	1	1	1	1	1	1

x = -02 (cast iron housing)
 -03 (cast aluminum housing)

TABLE 2
 Components for Standard Modifications

Type of Modification	Item No.	Description (most items not shown)	Part Number↓	Torque (lb-ft)				125				175				230				330				440				550			
				Current		DC		AC		DC		AC		DC		AC		DC		AC		DC		AC		DC		AC		DC	
				O	E	O	E	O	E	O	E	O	E	O	E	O	E	O	E	O	E	O	E	O	E	O	E	O	E	O	E
				Enclosure				Brake Model Number→				Brake Model Number→				Brake Model Number→				Brake Model Number→				Brake Model Number→				Brake Model Number→			
Vertical Mounting Above Motor	2	See Table 1 for endplate																													
	3	Stationary disc	8-003-206-02	1	1	1	1	1	1	1	1	1	1	2	2	2	2	2	2	2	2	2	2	3	3	3	3				
	5	Pressure plate	8-005-205-02											1	1	1	1	1	1	1	1	1									
		Pressure plate	8-005-206-02	1	1	1	1	1	1	1	1	1	1										1	1	1	1					
	7	Housing and side release assembly	5-07-1002-00		1																		1	1	1	1					
	Not Shown	Vertical spring kit	5-96-0205-00	1	1	1	1	1	1	1	1	1	1	1	1	1	1	1	1	1	1	1	1	1	1	1	1	1			
Vertical Mounting Below Motor	170	Plunger guide bracket	<i>kit</i> 5-55-2002-00	1	1	1	1	1	1	1	1	1	1	1	1	1	1	1	1	1	1	1	1	1	1	1	1				
	170S	Cap screw (bracket)																													
	170W	Lock washer (bracket)																													
	171	Shim (bracket)																													
	172	Spacer																													
Vertical Mounting Below Motor		Release plate	8-170-102-00		1			1			1			1			1			1			1			1					
		Screw	9-16-3012-00		2			2			2			2			2			2			2			2					
		Lock nut	9-40-3730-00		2			2			2			2			2			2			2			2					
		Spring pin	9-32-4055-00		1			1			1			1			1			1			1			1					
		Release rod	8-146-201-01		1			1			1			1			1			1			1			1					
Vertical Mounting Below Motor	34	Foot mounting kit, comprised of:	5-55-2022-00	1	1	1	1	1	1	1	1	1	1	1	1	1	1	1	1	1	1	1	1	1	1	1					
	34S	Foot mounting bracket	8-034-205-01	4	4	4	4	4	4	4	4	4	4	4	4	4	4	4	4	4	4	4	4	4	4	4					
	39W	Cap screw	9-17-1624-00	4	4	4	4	4	4	4	4	4	4	4	4	4	4	4	4	4	4	4	4	4	4	4					
Vertical Mounting Below Motor	3	Stationary disc	8-003-206-02	1	1	1	1	1	1	1	1	1	2	2	2	2	2	2	2	2	2	2	3	3	3	3					
	5	Pressure plate	8-005-205-02										1	1	1	1	1	1	1	1	1										
		Pressure plate	8-005-206-02	1	1	1	1	1	1	1	1	1										1	1	1	1						
	Not Shown	Vertical spring kit	5-96-0206-00	1	1	1	1	1	1	1	1	1	1	1	1	1	1	1	1	1	1	1	1	1	1	1					
Shaft Through Housing	170	Plunger guide bracket	8-170-205-00			1	1			1	1			1	1			1	1			1	1								
	170S	Cap screw (bracket)	8-350-002-00	2	2	2	2	2	2	2	2	2	2	2	2	2	2	2	2	2	2	2	2	2	2						
	170W	Lock washer (bracket)	9-45-0330-00	*	*	*	*	*	*	*	*	*	*	*	*	*	*	*	*	*	*	*	*	*	*						
	171	Shim (bracket)	8-454-016-00																												
Brass Parts (horizontal & vertical brake)	7	Housing, bearing and seal assembly	5-07-2014-00		1			1			1			1			1			1			1								
	24	Shaft bushing (specify bore)	8-024-202-01		1			1			1			1			1			1			1								
	24L	Set screw (shaft bushing)	9-20-3004-00		2			2			2			2			2			2			2								
	24S	Shaft seal (component of Item 7)	9-02-0010-00		1			1			1			1			1			1			1								
Space Heater Kit	3	Stationary disc	8-003-208-02	1	1	1	1	1	1	1	1	1	2	2	2	2	2	2	2	2	2	3	3	3	3						
	4	Friction disc	5-66-8424-00	2	2	2	2	2	2	2	2	2	3	3	3	3	3	3	3	3	3	4	4	4	4						
	5	Pressure plate	8-005-207-01	1	1	1	1	1	1	1	1	1	1	1	1	1	1	1	1	1	1	1	1	1	1						
Space Heater Kit	Not shown	Heater (115 volt circuit)	5-27-2006-00	1	1	1	1	1	1	1	1	1	1	1	1	1	1	1	1	1	1	1	1	1	1						
		Heater (230 volt circuit)	5-27-2007-00	1	1	1	1	1	1	1	1	1	1	1	1	1	1	1	1	1	1	1	1	1	1						

550 lb-ft brake is not available for vertical operation

*as required

Table 3 (see Note)
Components of Support Plate Assemblies

Item No.	Description	Part Number↓	Brake Size (lb-ft)							
			125		175		230		330	
			440	550	440	550	440	550	440	550
			Current		Current		Current		Current	
			AC	DC	AC	DC	AC	DC	AC	DC
			Assembly Part Number→							
			5-42-2071-00-09	5-42-2072-00-09	5-42-2073-00-09	5-42-2074-00-09	5-42-2075-00-09	5-42-2076-00-09	5-42-2077-00-42	5-42-2078-00-09
8	Solenoid lever and pinion assembly (comprised of Items 28, 32, 32R, 54, 71, 141 and 141A)	5-66-7321-00	1	1	1	1	1	1	1	1
11	Pressure spring (green) Pressure spring (yellow) Pressure spring (red)	9-70-4601-00 9-70-6001-00 9-70-5801-00	1	1	1	1	1	1	1	1
13 13C 13N	Solenoid link and bearing assembly Cap screw (solenoid link) Nut (solenoid link)	5-55-2006-00 8-157-703-00 9-40-3732-00	1	1	1	1	1	1	1	1
17 17B 17E 17S	Lever arm assembly Pressure button Eccentric sleeve (lever arm) Set screw (lever arm)	5-17-2001-00 9-25-1908-00 8-054-201-00 9-20-3004-00	1	1	1	1	1	1	1	1
19 22	Pressure spring nut Solenoid lever stop	8-019-202-01 8-022-603-00	1	1	1	1	1	1	1	1
53 53P 59	Manual release spring tube Roll pin (spring tube) Release spring	8-053-201-00 9-32-4012-00 9-71-0004-00	1	1	1	1	1	1	1	1
76 76A 76S 76W	Wrap spring stop Holding plate (wrap spring stop) Cap screw (spring stop) Lock washer (spring stop)	8-076-203-00 8-076-204-00 9-17-2812-00 9-45-1328-00	1	1	1	1	1	1	1	1
126 130 131 131R	Support plate and bearing assembly Pivot pin (lever arm) Pivot pin (solenoid lever) Retaining ring (pivot pin)	5-26-2004-00 8-118-204-00 8-131-201-00 9-03-0020-00	1	1	1	1	1	1	1	1

Table 3 (see Note)
Components of Support Plate Assemblies

Item No.	Description	Part Number↓	Brake Size (lb-ft)							
			125		175		230		330	
			440	550	440	550	440	550	440	550
			Current		Current		Current		Current	
			AC	DC	AC	DC	AC	DC	AC	DC
			Assembly Part Number→							
			5-42-2071-00-09	5-42-2072-00-09	5-42-2073-00-09	5-42-2074-00-09	5-42-2075-00-09	5-42-2076-00-09	5-42-2077-00-42	5-42-2078-00-09
132	Cap screw (solenoid mounting)	8-350-008-00	4	4	4	4	4	4	4	4
132H	Holding plate (solenoid mounting)	8-076-207-00	2	2	2	2	2	2	2	2
132L	Lock plate (solenoid mounting)	8-076-206-00	2	2	2	2	2	2	2	2
134	Pressure spring spacer Pressure spring spacer Pressure spring spacer	8-134-001-02 8-134-001-03 8-134-001-05	1	1	1	1	1	1	1	1
138 138A	Bearing (washer type) Bearing (washer type)	8-138-201-00 8-138-701-00	8	8	8	8	8	8	8	8
146 146B 146R	Release rod Ball bearing (release rod) Retaining ring (release rod)	8-146-201-00 9-01-6801-00 9-03-0007-00	1	1	1	1	1	1	1	1
152 152P 152R	Pressure spring stud Pivot pin (spring stud) Retaining ring (spring stud)	8-152-201-00 8-118-202-00 9-03-0019-00	1	1	1	1	1	1	1	1
159	Brake release interlock kit (standard manual release) Brake release interlock kit (side manual release)	5-55-2005-00 5-55-2004-00	1	1	1	1	1	1	1	1
178 178S 179 179G 179S 179W	Instruction plate Drivescrew Solenoid mounting plate Grommet (mounting plate) Shoulder screw (mounting plate) Washer (mounting plate)	8-078-055-00 9-25-1303-00 8-179-205-01 8-147-202-00 9-26-1108-00 8-138-202-00	1	1	1	1	1	1	1	1

Note: Some brakes manufactured prior to the "-02" series had solenoid which were mounted on (4) rubber shock mounts. Conversion kits are available to replace these mounts. Kit 5-12-9595 replaces 1" diameter by 17/32" high mounts with 1/4-20 studs. Kit 5-12-9594 replaces 1-1/4" diameter by 3/4" high mounts with 5/16-18 studs. Kit 5-12-9593 must replace mounts on serial numbers B-960232 through 69 and B-989748.

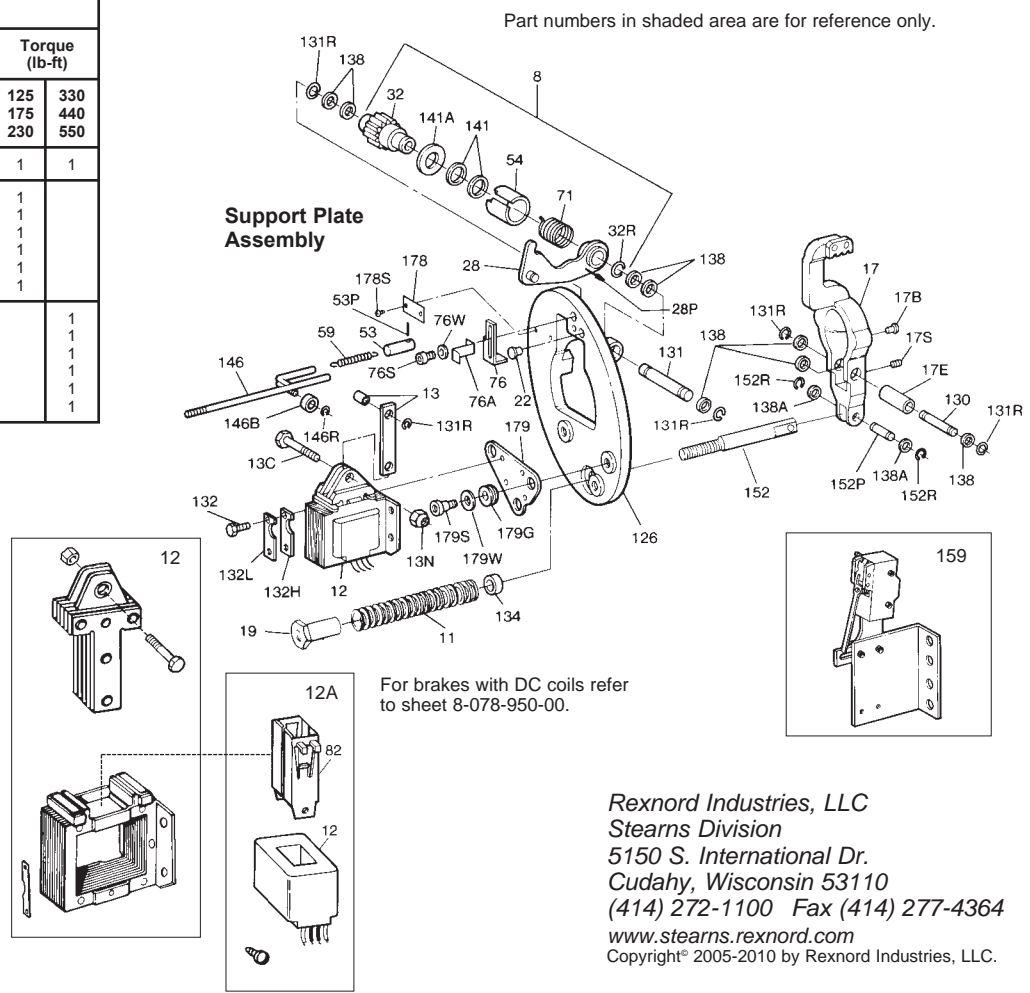
Table 4
Components of Solenoid and Coil Assemblies

Item	Description	Part Number	Torque (lb-ft)	
			125	330
AC Brakes			175	440
			230	550
12	Solenoid assembly (AC)	5-12-5529-00	1	1
12A	No. 9 coil assembly 60 Hz	115 Vac	5-96-6901-33	1
		230 Vac	5-96-6902-33	1
		460 Vac	5-96-6904-33	1
		575 Vac	5-96-6905-33	1
		115/230 Vac	5-96-6907-33	1
		230/460 Vac	5-96-6909-33	1
	No. K9 coil assembly 60 Hz	115 Vac	5-96-6951-33	1
		230 Vac	5-96-6952-33	1
		460 Vac	5-96-6954-33	1
		575 Vac	5-96-6955-33	1
		115/230 Vac	5-96-6957-33	1
		230/460 Vac	5-96-6959-33	1

Solenoid and Coil Assembly

Table 5
Contents of Assemblies and Kits

Item No.	Description
12	Solenoid assembly (5-12-55XX-00) 1 - Plunger 1 - Frame 2 - Lock plates 1 - Solenoid link cap screw 1 - Solenoid link nut 1 - Cable clamp and screw (DC only)
12A	Coil assembly (5-96-69XX-33) 1 - Coil 2 - Plunger guides 2 - Plunger guide screws
159	Brake switch kit (5-55-2004-00 or 5-55-2005-00) (brake release interlock switch - N.O.) 1 - Microswitch 1 - Bracket, microswitch 1 - Bracket, mounting 1 - Mounting hardware



Rexnord Industries, LLC
Stearns Division
5150 S. International Dr.
Cudahy, Wisconsin 53110
(414) 272-1100 Fax (414) 277-4364
www.stearns.rexnord.com
Copyright© 2005-2010 by Rexnord Industries, LLC.