



Power Connector PC5 - Push & Pull Size X5 – 7,2kV

INTRODUCTION

Cavotec Connectors develops electrical connectors that improve performance and protect critical applications in demanding environments. The Cavotec PC5-X5 size 7,2kV is a non-Ex rated medium voltage connector designed for frequent connections and disconnections. Designed with Cavotec Push & Pull system, it offers a safe way for connecting and disconnecting via an ergonomic push & pull handle which could be critical in case of emergency.

Cavotec X5, a safe and easy power supply device for applications such as:

- RTG cranes – Ports – Steel mills – Mining & tunnelling – Railways

Cavotec PC5 compact and light design was possible with Cavotec's MWT technology enabling smaller pins to take high current with a minimal voltage drop.

PRODUCT FEATURES

- Maximum voltage 7,2kV (400V in pilot circuit), currents up to 350A
- Up to 4 pole insulator assembly as standard covering cable sizes up to 185mm²
- IP66 (when connected or with covers closed)
- Standard ambient temperature: -40°C to +80°C or -40°F to +176°F
- Socket & connector connection with integrated cover operated by the push & pull arms
- Standard finishes: marine grade aluminium ISO 3522 - Hardware in stainless steel
- Push & Pull arm material: Bronze ISO 1338:1977
- Female contact, male pin and cable terminal material: silver plated brass/copper
- Easy wiring with male and female insulators fully interchangeable made in machined POM (Polyoxymethylene) as standard
- Interchangeable pins & contacts without dismantling the connector
- All cable terminals suits for cables of class 5, IEC 60228
- Standard cable terminals for crimping with hexagonal crimping tool
- Cable glands: Cavotec "onion ring" gasket and strain relief covering cable outer diameters from Ø 35-72 mm
- For termination of the cable terminals, industry approved termination kits for 7,2kV must be used. Termination kits may be supplied by Cavotec on request.



Plug straight Push & Pull



Connector/Inverted, connector straight Push & Pull



Connector/Inverted connector straight Push & Pull

OPTIONAL FEATURES

- Plug cover: PCX-01615-006
- Finger protection female socket: PCX-24570-404K
- Finger protection male plug: PCX-24571-404K
- Termination kit 3M 95-185mm²: PCX-89007-031
- Termination kit Raychem 25-95mm², IXSU F3121: PEE-07062-860
- Termination kit Raychem 95-240mm², IXSU F3131: PEE-07062-880
- Finishes: Colour or non-colour anodizing / Clear coat or solid color painting
- Wall mounting bracket for Connector: PCX-49555-2204
- Mechanical interlock through different type of key locking system & additional pilot pins
- External fiber optic plug and socket

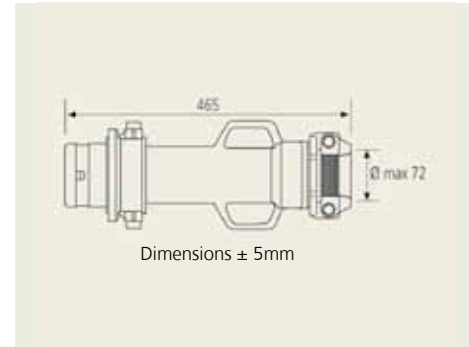
SPECIAL TOOLS

Male pin Dia. 12mm	Female contact Dia. 12mm	Key width	Socket wrench (Part numb.)
PCX-11012-XXXX	PCX-12012-XXXX	16/17	PCX-92102-0171



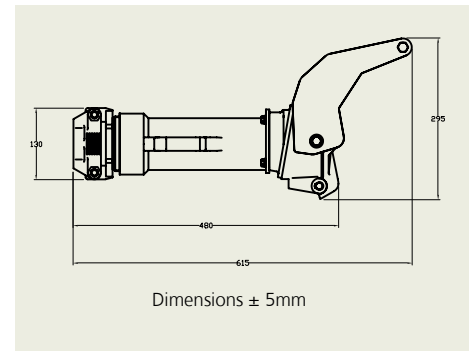
PLUG/INVERTED PLUG, STRAIGHT PUSH & PULL

No poles (P&E+pil)	Max. voltage phase / pilot	Pin \varnothing (mm) Max. Amp	Weight kg	Cross section mm ² / Rec. Amp	Connector: Female ContacTX Product Code	Connector: Male Pins Product Code
4+2	7200V / 400V	12mm / 350A	6	50 mm ² / 200A*	PC5-SX04-K0500	PC5-TX04-K0500
				70 mm ² / 250A	PC5-SX04-K0700	PC5-TX04-K0700
				95 mm ² / 300A	PC5-SX04-K0950	PC5-TX04-K0950
				150 mm ² / 350A	PC5-SX04-K1500	PC5-TX04-K1500
4+3	7200V / 400V	12mm / 350A	6	50 mm ² / 200A*	PC5-SX04-K05003	PC5-TX04-K05003
				70 mm ² / 250A	PC5-SX04-K07003	PC5-TX04-K07003
				95 mm ² / 300A	PC5-SX04-K09503	PC5-TX04-K09503
				150 mm ² / 350A	PC5-SX04-K15003	PC5-TX04-K15003
				185 mm ² / 350A	PC5-SX04-K18503	PC5-TX04-K18503



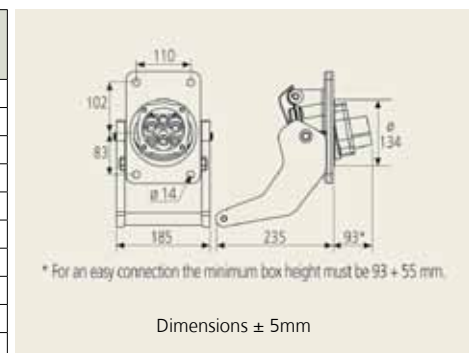
CONNECTOR/INVERTED CONNECTOR PUSH & PULL

No poles (P&E+pil)	Max. voltage phase / pilot	Pin \varnothing (mm) Max. Amp	Weight kg	Cross section mm ² / Rec. Amp	Connector: Female Contacts Product Code	Connector: Male Pins Product Code
4+2	7200V / 400V	12mm / 350A	9.4	50 mm ² / 200A*	PC5-RX04-K0500RD	PC5-PX04-K0500RD
				70 mm ² / 250A	PC5-RX04-K0700RD	PC5-PX04-K0700RD
				95 mm ² / 300A	PC5-RX04-K0950RD	PC5-PX04-K0950RD
				150 mm ² / 350A	PC5-RX04-K1500RD	PC5-PX04-K1500RD
4+3	7200V / 400V	12mm / 350A	9.4	50 mm ² / 200A*	PC5-RX04-K05003RD	PC5-PX04-K05003RD
				70 mm ² / 250A	PC5-RX04-K07003RD	PC5-PX04-K07003RD
				95 mm ² / 300A	PC5-RX04-K09503RD	PC5-PX04-K09503RD
				150 mm ² / 350A	PC5-RX04-K15003RD	PC5-PX04-K15003RD
				185 mm ² / 350A	PC5-RX04-K18503RD	PC5-PX04-K18503RD



SOCKET/INVERTED SOCKET, PUSH & PULL

No poles (P&E+pil)	Max. voltage phase / pilot	Pin \varnothing (mm) Max. Amp	Weight kg	Cross section mm ² / Rec. Amp	Connector: Female Contacts Product Code	Connector: Male Pins Product Code
4+2	7200V / 400V	12mm / 350A	7.8	50 mm ² / 200A*	PC5-VX04-K0500	PC5-WX04-K0500
				70 mm ² / 250A	PC5-VX04-K0700	PC5-WX04-K0700
				95 mm ² / 300A	PC5-VX04-K0950	PC5-WX04-K0950
				150 mm ² / 350A	PC5-VX04-K1500	PC5-WX04-K1500
4+3	7200V / 400V	12mm / 350A	7.8	50 mm ² / 200A*	PC5-VX04-K05003	PC5-WX04-K05003
				70 mm ² / 250A	PC5-VX04-K07003	PC5-WX04-K07003
				95 mm ² / 300A	PC5-VX04-K09503	PC5-WX04-K09503
				150 mm ² / 350A	PC5-VX04-K15003	PC5-WX04-K15003
				185 mm ² / 350A	PC5-VX04-K18503	PC5-WX04-K18503



* For smaller sizes, please contact your local Cavotec sales office