

# **RC RODCRAFT®**



## **WORKSHOP EQUIPMENT 2016**



## **QUALITY FOR PROFESSIONALS**

# RODCRAFT

# QUALITY FOR PROFESSIONALS

## One of the world's leading brands

Since 1974, the Rodcraft brand stands for high-quality products and services. Founded in Germany, Rodcraft has grown steadily to become one of the world's leading brands of pneumatic tools and workshop equipment dedicated to the vehicle service and industrial maintenance applications.

## Research and development

Our organisation is constantly investing in research and development, and the Rodcraft product range features many patented designs such as our composite sander and latest impact wrench series.

## Market coverage

With a strong European based sales channel, local sales offices, dedicated distributors and national importers are covering over 80 countries worldwide on a daily basis. We are close to our clients and able to provide fast service and support.

## Testing and quality inspections

To ensure and guarantee long life performance, many strict testing and quality inspections are conducted through the tool and equipment design, production and assembly stages. All products are thoroughly tested at the Technocenter to pass EC certification according to ISO standards and many of the customer centres marketing the Rodcraft product lines are ISO 9001 and ISO 14001 certified.



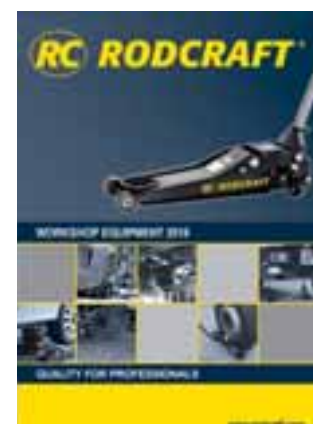
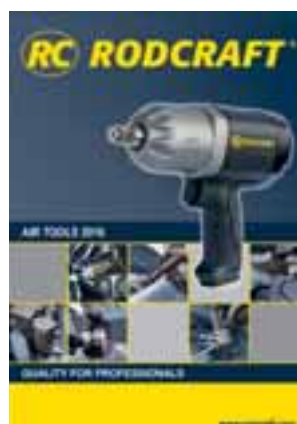
## Discover the complete Rodcraft range on [www.rodcraft.com](http://www.rodcraft.com)

- online air tools catalogue
- online workshop equipment catalogue
- Rodcraft accessories
- technical documentation
- service centre contacts
- Rodcraft sales and distributor contacts



**Check out today our mobile eCatalog on [m.rodcraft.com](http://m.rodcraft.com)**

**A broad range of pneumatic tools and workshop equipment dedicated to the vehicle service and industrial maintenance applications.**



# GLOSSARY



Capacity



Weight

# CONTENT

<b>01  Trolley jacks</b> _____	<b>7</b>
Aluminium hydraulic trolley jacks for cars	
Hydraulic trolley jacks	
Air-hydraulic jacks for trucks & vans	
Balloon jacks	
Telescopic air-hydraulic jacks for trucks & vans	
Bottle jacks	
Jack stands	
<b>02  Motor</b> _____	<b>19</b>
Workshop cranes	
Motor stands	
Motor repair bridge	
Accessories	
<b>03  All around oil</b> _____	<b>23</b>
Oil suction units	
Oil collection units	
Drain pans	
Accessories	
<b>04  Gear</b> _____	<b>27</b>
Transmission jacks	
<b>05  Car body</b> _____	<b>31</b>
Hydraulic ram sets	
Pneumatic hydraulic pump	
Hydraulic cylinders	
Mobile hydraulic straightener	
Pull clamps	
Accessories	
<b>06  Workshop presses</b> _____	<b>37</b>
Workshop presses	
Accessories	
<b>07  Wheel Dolly</b> _____	<b>43</b>
Wheel Dolly	
<b>08  Various</b> _____	<b>47</b>
Torque Wrench	
Hydraulic wheel lift	
Creeper	
Brake fluid tester	
Seats	
Start-booster	
Work light	

01

02

03

04

05

06

07

08



RH215

## 01| Trolley Jacks

- | Aluminium hydraulic trolley jacks for cars
- | Hydraulic trolley jacks
- | Balloon jacks
- | Air-hydraulic jacks for trucks & vans
- | Bottle jacks
- | Jack stands

01

02

03

04

05

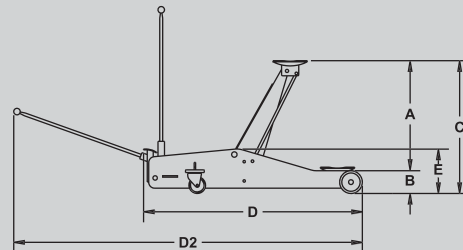
06

07

08



# HYDRAULIC TROLLEY JACKS



**Model** Part#  
**RH135** 8951082025

**Model** Part#  
**RH201** 8951000003



**Model** Part#  
**RH290** 8951082031

Model	RH135
Capacity	1.5 ton(s)
Weight	10.5 kg
Dimensions:	
A	295 mm
B	80 mm
C	375 mm
D	505 mm
D <sup>2</sup>	1440 mm
E	130 mm
F	235 mm
G	235 mm

Stroke: 80-375 mm  



- Very light aluminium jack
- Ideal for break-down service
- Short 2 piece handle bar
- Equipped with carrying handle
- Fast stroke: with 11 pump strokes up to the max. without load
- Saddle plate protection with rubber cover
- Lever with protective sponge to prevent scratches on car bodies

Model	RH201
Capacity	2 t
Weight	20.5 kg
Dimensions:	
A	375 mm
B	85 mm
C	460 mm
D	695 mm
D <sup>2</sup>	1820 mm
E	155 mm
F	285 mm
G	320 mm

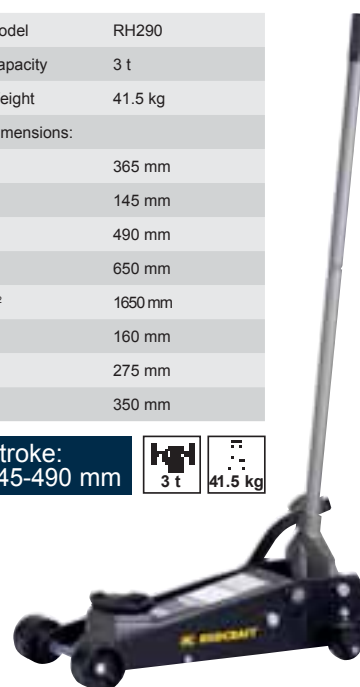
Stroke: 85-460 mm  



- Very light aluminium jack
- Ideal for break-down service
- Short 2 piece handle bar
- For easy transport the jack is equipped with 3 carrying handles
- Fast stroke with double pump
- Saddle plate protection with rubber cover
- Lever with protective sponge to prevent scratches on car bodies

Model	RH290
Capacity	3 t
Weight	41.5 kg
Dimensions:	
A	365 mm
B	145 mm
C	490 mm
D	650 mm
D <sup>2</sup>	1650 mm
E	160 mm
F	275 mm
G	350 mm

Stroke: 145-490 mm  



- Small & compact trolley jack
- Pump lever can be disassembled (2 pieces)
- For easy storage and transport
- With foot pedal for fast approach







**Model** Part#  
**RH151** 8951000051

Model	RH151
Capacity	1 1/2 ton(s)
Weight	50.5 kg
Dimensions:	
A	620 mm
B	80 mm
C	540 mm
D	920 mm
D <sup>2</sup>	2140 mm
E	153 mm
F	282 mm
G	382 mm

**Stroke:**  
80-540 mm



- Hydraulic trolley jack with sturdy steel construction
- Precise hand valve for lowering
- Smooth oil and acid resistant plastic wheels with foot pedal for fast approach
- Pump lever with protector sponge to prevent scratches
- Low profile jack with extra long body to get very deep under a vehicle up to 515 mm at a height of only 80 mm
- Compact when disassembled with 2 piece pump lever for easy transport and storage



**Model** Part#  
**RH251** 8951082024

Model	RH251
Capacity	2 t
Weight	58 kg
Dimensions:	
A	665 mm
B	135 mm
C	800 mm
D	1340 mm
D <sup>2</sup>	2100 mm
E	190 mm
F	295 mm
G	430 mm

**Stroke:**  
135-800 mm



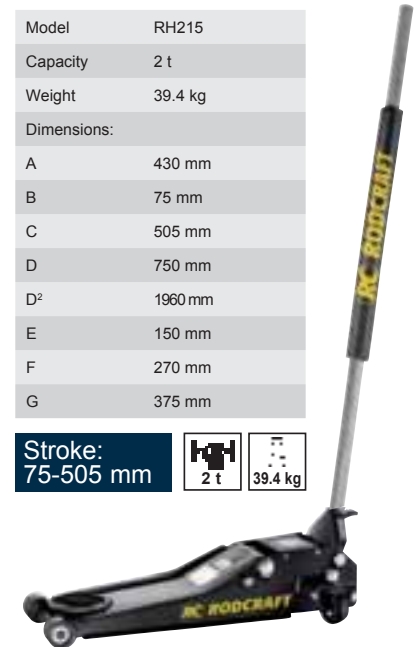
- Hydraulic trolley jack with sturdy steel construction
- Precise hand valve for lowering
- Smooth oil and acid resistant plastic wheels
- With foot pedal for fast approach
- High lifter up to 800 mm max.



**Model** Part#  
**RH215** 8951082026

Model	RH215
Capacity	2 t
Weight	39.4 kg
Dimensions:	
A	430 mm
B	75 mm
C	505 mm
D	750 mm
D <sup>2</sup>	1960 mm
E	150 mm
F	270 mm
G	375 mm

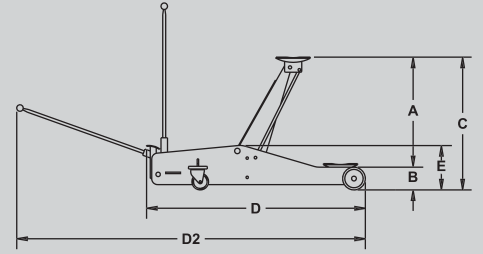
**Stroke:**  
75-505 mm



- Hydraulic trolley jack with sturdy steel construction
- Precise hand valve for lowering
- Smooth oil and acid resistant plastic wheels
- With foot pedal for fast approach
- Pump lever with protector sponge to prevent paint scratches
- Low profile and large final height (75-505 mm)
- Fast lifting stroke due to two pump pistons
- Long pedal for fast approach
- Compact when disassembled with 2 piece pump lever for easy transport and storage



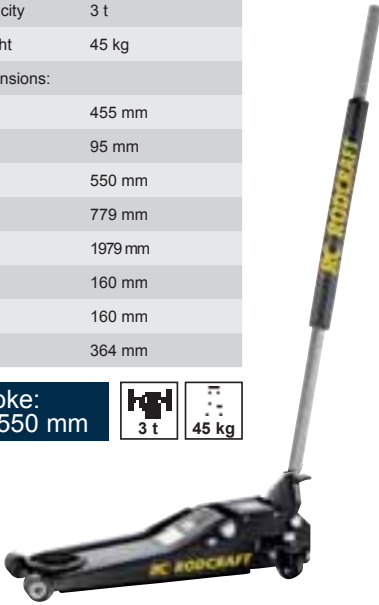
# HYDRAULIC TROLLEY JACKS



**Model** Part#  
**RH315** 8951000063

Model	RH315
Capacity	3 t
Weight	45 kg
Dimensions:	
A	455 mm
B	95 mm
C	550 mm
D	779 mm
D <sup>2</sup>	1979 mm
E	160 mm
F	160 mm
G	364 mm

Stroke: 95-550 mm



- Hydraulic trolley jack with sturdy steel construction
- Precise hand valve for lowering
- Smooth oil and acid resistant plastic wheels
- Long pedal for fast approach
- Pump lever with protector sponge to prevent paint scratches
- Fast lifting stroke due to two pump pistons
- Compact when disassembled with 2 pieces
- Pump lever for easy transport and storage



**Model** Part#  
**RH301** 8951082032

Model	RH301
Capacity	3 t
Weight	70 kg
Dimensions:	
A	490 mm
B	115 mm
C	605 mm
D	1320 mm
D <sup>2</sup>	2440 mm
E	190 mm
F	245 mm
G	315 mm

Stroke: 115-605 mm



- Hydraulic trolley jacks with sturdy steel construction for daily workshop use.
- With precise hand valve for lowering
- Equipped with smooth oil and acid resistant plastic wheels
- Long pedal for fast approach and quick lifting of smaller loads
- Pump lever with protector sponge to prevent paint scratches
- Pump lever with T-end for two-handed operation with valve on the lever top
- High lifter up to 800 mm max.

**Model** Part#  
**RH501** 8951082050

Model	RH501
Capacity	5 t
Weight	95 kg
Dimensions:	
A	530 mm
B	150 mm
C	680 mm
D	1420 mm
D <sup>2</sup>	2560 mm
E	205 mm
F	290 mm
G	360 mm

Stroke: 150-680 mm



- Hydraulic trolley jack for truck
- With foot pedal for fast approach
- Hydraulic system with pump lever allows autonomous operation without compressed air
- Easy to position due to foot rest on back (turning on the spot)
- Lever can be locked in 3 angles for storage and positioning deeply under a low vehicle
- Grease nipples on all important joints





**Model**    **Part#**  
**RH310**    **8951082100**

Model	RH310
Capacity	10 t
Weight	123 kg
Dimensions:	
A	430 mm
B	175 mm
C	605 mm
D	1600 mm
D <sup>2</sup>	2550 mm
E	270 mm
F	380 mm
G	410 mm

**Stroke:**  
**175-605 mm**



- Hydraulic trolley jack for trucks
- With foot pedal for fast approach
- Hydraulic system with pump lever allows autonomous operation without compressed air
- With LCS lowering control system for slow descent even when heavily charged
- "Dead man control" auto-stop valve

## The all-rounders!



**Pump lever with protector sponge to prevent paint scratches**

**Foot pedal for fast approach**

**Grease nipple - easy to access**

**Rubber protected plate prevents damage and slipping**

**Smooth oil and acid resistant plastic wheels**

**Sturdy steel construction for daily workshop use**

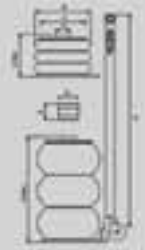
### Model C225

Rubber cover  
 Ø 137 mm (C 225) for RH290 Part#: 8951011092

**RH215**  
**RH315**

- 01
- 02
- 03
- 04
- 05
- 06
- 07
- 08

# BALLOON JACKS



**Model** Part#  
**BC2-2S** 8951000177

**Model** Part#  
**BC2-2L** 8951000178

**Model** Part#  
**BC2-3L** 8951000179

Model	BC2-2S
Capacity	2 t
Weight	15 kg
Dimensions:	
A - A max	115 - 350 mm
B	265 mm
C	185 mm
D	82 mm
E	98 mm
F	80 mm
G	- mm

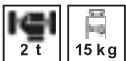
**Stroke: 235 mm**

Model	BC2-2L
Capacity	2 t
Weight	18 kg
Dimensions:	
A - A max	115 - 350 mm
B	265 mm
C	185 mm
D	82 mm
E	98 mm
F	80 mm
G	1000 mm

**Stroke: 235 mm**

Model	BC2-3L
Capacity	2 t
Weight	19 kg
Dimensions:	
A - A max	200 - 500 mm
B	250 mm
C	185 mm
D	82 mm
E	98 mm
F	60 mm
G	1000 mm

**Stroke: 300 mm**



- From 115 to 430 mm within extension
- Highly resistant diaphragm and internal telescopic guide
- Overload safety valve
- On/Off ergonomic lever
- 115 mm in uninflated position
- Extension included: 60 mm height



- From 115 to 430 mm within extension
- Highly resistant diaphragm and internal telescopic guide
- Overload safety valve
- On/Off ergonomic lever
- Adjustable handle and composite wheels
- 115 mm in uninflated position
- Extension included: 80 mm height



- From 200 to 560 mm within extension
- Highly resistant diaphragm and internal telescopic guide
- Overload safety valve
- On/Off ergonomic lever
- Adjustable handle and composite
- 200 mm in uninflated position
- Extension included: 80 mm height



## Accessories for BC2 serie

**Model BC2-2S/2L**  
80 mm extension Part#: 8950312038

**Model BC2-3L**  
60 mm extension Part#: 8950312081





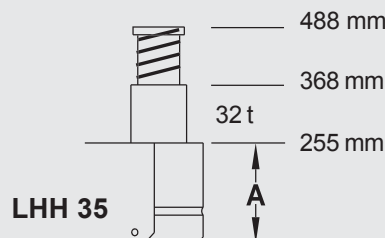
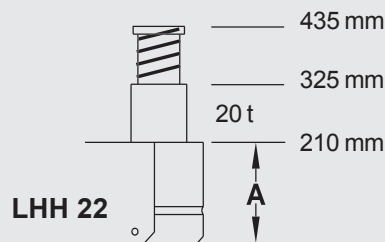
**Model**      Part#  
**LHH22**      8951084201  
**LHH35**      8951084350

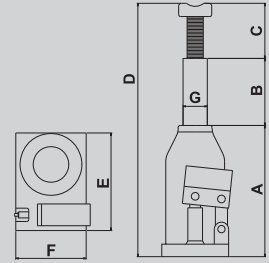
Model	LHH22	LHH35
Capacity	20 t	32 t
Weight	49 kg	54.4 kg
Dimensions:		
A	210 mm	255 mm
B	205 mm	250 mm
C	320 mm	330 mm
D	330 mm	510 mm
D+E	430 mm	610 mm
F	325 mm	368 mm
G	1200 mm	1200 mm
P	50 mm	50 mm

**Stroke:**  
 LHH22: 210-435 mm  
 LHH35: 255-488 mm



- Short and compact, very easy to manoeuvre
- Overload control and safety valve against undesired descent
- Piston is retracted by 4 springs
- Piston includes integrated threaded extension
- Front handle for easier carrying
- Including adapters: broad saddle with diameter 68 mm, height 20 mm. Diameter 48 mm, heights 20/60/100 mm
- Air supply pressure needs to be 7 - 10 bar
- Air consumption 300 l/min.
- According to EN 292





# Bottle jacks 2t - 50t capacity

## certified according to DIN 76024



- Hydraulic system with mounted manual pump is powerful, compact, versatile
- Maximum capacity and durability, because of double guidance
- 100% seal due to robust welded construction
- High stability, due to large base plate
- Vertical and horizontal applications, as long as the pump points upwards

- Fast and easy adaptable height, per threaded extension within piston
- With safety valve against overloading
- Steel piston made of one piece for extra durability
- Handle on pump consists of two parts to assemble/disassemble

Model	MGN2	MGN3	MGN5	MGN8	MGN12	MGN12F	MGN12L	MGN20	MGN20F	MGN30	MGN50L
Part#	8951000009	8951000010	8951000011	8951000012	8951000013	8951000127	8951000128	8951000014	8951000129	8951000015	8951000130
Capacity	2 t	3 t	5 t	8 t	12 t	12 t	12 t	20 t	20 t	30 t	50 t
Weight	2.4 kg	2.9 kg	3.8 kg	5.8 kg	6.7 kg	9.5 kg	5.9 kg	9.1 kg	13 kg	18.3 kg	35.3
Dimensions:											
A (min.)	180 mm	190 mm	200 mm	200 mm	180 mm	240 mm	155 mm	185 mm	275 mm	285 mm	300 mm
A+B (max.)	305 mm	325 mm	340 mm	320 mm	275 mm	390 mm	225 mm	280 mm	445 mm	455 mm	480 mm
C (+extension)	55 mm	65 mm	60 mm	80 mm	75 mm	90 mm	45 mm	35 mm	70 mm	-	-
D	360 mm	390 mm	400 mm	400 mm	350 mm	480 mm	270 mm	315 mm	515 mm	455 mm	480 mm
E	110 mm	115 mm	130 mm	150 mm	165 mm	144 mm	144 mm	180 mm	140 mm	190 mm	150 mm
F	20 mm	70 mm	75 mm	90 mm	105 mm	43 mm	53 mm	120 mm	53 mm	140 mm	66 mm
G	20 mm	23 mm	29 mm	35 mm	43 mm	43 mm	43 mm	53 mm	53 mm	62 mm	63 mm



Model Part#  
**MGN12F** 8951000127  
**MGN12L** 8951000128

Model Part#  
**MGN20F** 8951000129

Model Part#  
**MGN50L** 8951000130

Model	MGN12F	MGN12L
Capacity	12 t	12 t
Weight	9.5 kg	5.9 kg
Dimensions:		
A (min.)	240 mm	155 mm
A+B (max.)	390 mm	225 mm
C (extension)	90 mm	45 mm
D	480 mm	270 mm
E	144 mm	144 mm
F	43 mm	53 mm
G	43 mm	43 mm

Height 480 mm & 270 mm



Model	MGN20F
Capacity	20 t
Weight	13 kg
Dimensions:	
A (min.)	275 mm
A+B (max.)	445 mm
C (extension)	70 mm
D	515 mm
E	140 mm
F	53 mm
G	53 mm

Height 515 mm



Model	MGN50L
Capacity	50 t
Weight	35.3 kg
Dimensions:	
A (min.)	300 mm
A+B (max.)	480 mm
D	480 mm
E	150 mm
F	66 mm
G	63 mm

Height 480 mm



**FAST AND LOW  
 BOTTLE JACK**



- 01
- 02
- 03
- 04
- 05
- 06
- 07
- 08

# Jack stands

## 1.5t - 16t Capacity

TUV & GS approved



- Welded, sturdy steel tube construction, strutted and easy to carry
- Good standing stability since each foot is equipped with a broad plate
- Massive steel stem with models with threaded spindle, ergonomic steel tube stem for easier carrying on other jack stands with large bolt on chain and safety clamp.
- USBN5.0 finely adjustable with rubber protector on top, especially suited for vans and buses
- All models TUV & CE certified, except USB16H

**Delivered in pairs**



Model	USB1.5	USB1.5H	USB3	USB5	USBN5	USB8	USB8H	USB12G	USB12HG	USB16H
Part#	8951000096	8951000097	8951000098	8951000099	8951000100	8951000101	8951000102	8951000103	8951000104	8951000106
Capacity	1 1/2 t	1 1/2 t	3 t	5 t	5 t	8 t	8 t	12 t	12 t	16 t
Weight	2.2 kg	3.6 kg	3.8 kg	5 kg	4.3 kg	7.9 kg	11.4 kg	10.6 kg	14.4 kg	19.5 kg
min. height	260 mm	430 mm	320 mm	370 mm	245 mm	385 mm	580 mm	345 mm	475 mm	430 mm
max. height	405 mm	700 mm	530 mm	580 mm	350 mm	600 mm	950 mm	515 mm	730 mm	725 mm
Stroke	145 mm	270 mm	210 mm	210 mm	105 mm	215 mm	370 mm	170 mm	255 mm	295 mm
Positions in height	5 steps	5 steps	5 steps	5 steps	Direct	5 steps	6 steps	Direct	Direct	5 steps

# Jack stands 2t - 6t Capacity

- 01
- 02
- 03
- 04
- 05
- 06
- 07
- 08



- High stability due to feet with extra large plate
- Self locking handle & locking pin increases safety
- Durable & resistant ductile iron support column & rugged steel frame construction
- Easy to operate : ratchet action for height adjustment.

Delivered in pairs

Model	UBZ-2	UBZ-3	UBZ-6
Part#	8951000027	8951000028	8951000029
Capacity	2 t	3 t	6 t
Weight	2.5 kg	3 kg	5 kg
min. height	280 mm	300 mm	400 mm
max. height	425 mm	455 mm	620 mm
Stroke	145 mm	155 mm	220 mm
Positions	10 steps	11 steps	12 steps





**WK102K**

## **02| Motor**

- | Workshop cranes
- | Motor stands
- | Motor repair bridge

01

**02**

03

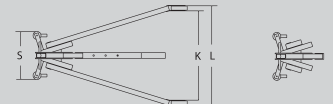
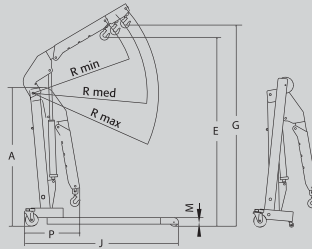
04

05

06

07

08



**Model** Part#  
**WK102K** 8951080101

**Model** Part#  
**WK201KM** 8951080200

Model	WK102K
Capacity P1	1.000 kg
Capacity P2	750 kg
Capacity P3	500 kg
Capacity P4	250 kg
Weight	77,5 kg
Dimensions:	
A	1.560 mm
E	1.920 mm
G	2.120 mm
J	1.480 mm
K	825 mm
L	935 mm
M	160 mm
P	430 mm
S	440 mm
R min.	960 mm
R med.	1.060 mm
R max.	1.160/1.230 mm

**Foldable**



- Compact because of foldable front wheel legs
- Adjustable lifting arm in 4 positions
- Double effect hydraulic pump can be operated from standing at the side of the crane
- "dead man" auto-stop valve
- Additional small wheels for moving easily when folded up
- Oil and acid resistant wheels, the rear wheels swivel, the front wheels are fixed

Model	WK201KM
Capacity P1	2.000 kg
Capacity P2	1.750 kg
Capacity P3	1.650 kg
Capacity P4	-
Weight	173 kg
Dimensions:	
A	1.720 mm
E	2.340 mm
G	2.500 mm
J	1.900 mm
K	1.035 mm
L	1.160 mm
M	200 mm
P	635 mm
S	570 mm
R min.	1.275 mm
R med.	1.420 mm
R max.	1.570 mm

**Foldable**



- Auto-stop safety valve
- Compact because of foldable front wheel legs
- 2 fixed wheels at front, 2 swivel oil and acid resistant wheels at rear end
- Arm with 3 extension positions
- Swivel pump and swivel pump lever for operating the pump from the work place
- Lifting of the arm by pumping up and down
- Lowering of the arm by pushing the lever up and backwards - while free hand controls load



**Model** Part#  
**MMB500** 8951089048

Model	MMB500
Capacity	500 kg
Weight	27 kg
Dimensions:	
Length	1200 mm
Width	835 mm
Height	850 mm

**500 kg Capacity**

- Universal aid improves ergonomics when working on motors due to its comfortable working height and the swivelling fixation plate (360°, can be locked every 60°)
- Centre height of the suspension plate: 910 mm
- The motor suspension arms can be adjusted from a minimum radius of 310 mm up to a maximum radius of 435 mm
- At the end of each suspension arm bolts can be fixed through the pipe shaped end of the arm into the motor (bolt length approx. 60 mm, max. thread M14) - bolts are not included in the delivery



**Model** Part#  
**MP500** 8951089050

Model	MP500
Capacity	500 kg
Dimensions:	
Width	655 mm
Length chain	1030 mm

**500 kg Capacity**

- For assembly and disassembly of e.g. motors, using a workshop crane
- Chain flange can be attached to the motor
- Chains are hooked on one side into the flanges and on the other into the MP 500 at appropriate length
- By turning the crank the hook-up ring is shifted sideways which tilts the load in order to obtain correct positioning for assembly / disassembly



**Model** Part#  
**MGM2** 8951000176

Model	MGM2
Capacity	400 kg
Weight	14,8 kg
Dimensions:	
Stroke of spindles	265 mm
Spindle thread	M14
Distance between feet	min. 1100 / max. 1600 mm

**500 kg Capacity**

- Instantaneous set up on the vehicle even when positioned asymmetrically on the car
- Quick and easy positioning of the motor for trouble-free fitting or removal of the transmission
- Well balanced load because of 2 spindles
- Capacity 400 kg
- Delivered with 1 chain with 2 hooks



01  
**02**  
 03  
 04  
 05  
 06  
 07  
 08



### AK03



**NOTE:**

Oil should be warm for removal

Due to fast changing car series please always check feasibility of oil removal through dipstick tube with/without adapters prior to operation.

**03| All around oil**

- | Oil suction units
- | Oil collection units
- | Drain pans
- | Accessories

01

02

**03**

04

05

06

07

08

## OIL SUCTION UNITS/OIL COLLECTION UNITS

**Model** Part#  
**AK03** 8951081000

Model	AK03
max. capacity	24 l
Dim. max. mm:	375x375x900
Press. for emptying	5-6 bar
Weight empty	14 kg
Air inlet (Euro)	1/4"
max. Vacuum	0,6-0,7 bar
flow rate with nozzle ø 5 mm	0,9 l/min.
flow rate with nozzle ø 6 mm	1,3 l/min.
flow rate with nozzle ø 8 mm	3,4 l/min.
flow rate with rigid nozzle ø 8 mm	4,8 l/min.

**Tank cap.: 24 L**



- Lightweight composite housing (only 14 kg)
- Mobile oil suction tool with 2 wheels
- Works independently without permanent connection to air supply
- Easy emptying of the tank using compressed air (max. 1.4 bar).
- Easy oil removal through dipstick opening with nozzles or with adapter socket
- Incl. flexible nozzles 5, 6 and 8 mm and straight rigid nozzles 6 and 8 mm (800 mm length)
- Direct oil removal with 3 suction adapters (included in delivery) :
  - Ø 16.0 mm adapter Mercedes
  - Ø 5.4 mm adapter VW Golf
  - Ø 12.3 mm adapter BMW



**Model** Part#  
**TK05** 8951081013

Model	TK05
max. capacity	70/80 l
Pan capacity	25 l
Dimens. max. mm:	470x595x1620
Dimens. min. mm:	470x595x1070
Dimens. Pan	ø 460 mm
Press. for emptying	0,5 bar
Weight empty	23 kg

**Tank cap.: 80 L**



- Oil collection unit for cars as well as small trucks
- Tank can easily be emptied using compressed air
- Drain pan adjustable in height
- 2 wheels on axle and 2 swivel wheels with large diameter
- Large drain mesh in the pan, easy to reach
- Drain pan is equipped with its own valve, so the tank can be emptied during an oil service

### Accessories for AK03



**Model** Part#  
**AK3-SFL5** 8951011048  
Tube, flexible 5 mm

**Model** Part#  
**AK3-SFL6** 8951011049  
Tube, flexible 6 mm

**Model** Part#  
**AK3-SFL8** 8951011050  
Tube, flexible 8 mm



**Model** Part#  
**AK-3ADB** 8951011044  
Adapter for Mercedes  
ø 16,0 mm

**Model** Part#  
**AK-5A1** 8951011028  
Adapter for Mercedes /  
Volkswagen ø 16,0 mm

**Model** Part#  
**AK-3ABMW** 8951011045  
Adapter for BMW  
ø 12,3 mm

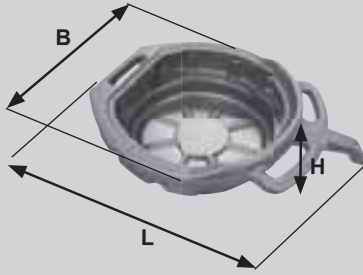
**Model** Part#  
**AK-3AVW** 8951011043  
Adapter for  
Volkswagen Golf  
ø 5,4 mm



**Model** Part#  
**AK-5/0,9F** 8951011032  
Tube, flexible 5 mm



# DRAIN PANS



**Model P2** Part# 8951000057

**Model P46** Part# 8951000058

**Model P4** Part# 8951081032

Model	P2
Capacity	8 l
Weight	0,7 kg
Dimensions:	
L	515 mm
B	390 mm
H	145 mm

Model	P46
Capacity	16 l
Weight	0,95 kg
Dimensions:	
L	570 mm
B	450 mm
H	175 mm

Model	P4
Capacity	17 l
Weight	2 kg
Dimensions:	
L	675 mm
B	380 mm
H	150 mm

**Capacity: max. 8 L**



- 3 handles for carrying
- Anti-splash rim
- Made of oil and petrol resistant polyethylene (HDPE)



**Capacity: max. 16 L**



- 3 handles for carrying
- Anti-splash rim
- Made of oil and petrol resistant polyethylene (HDPE)
- Compatible with GHN model's



**Capacity: max. 17 L**



- 3 handles for carrying
- Closed version
- Made of oil and petrol resistant polyethylene (HDPE)

**Model P50** Part# 8951000090

Model	P50
Capacity	43 l
Weight	4.1
Dimensions:	
L	912 mm
B	495 mm
H	179 mm

**Capacity max: 43 L**



- 3 handles for carrying
- Closed model
- Made of oil and petrol resistant polyethylene
- 2 wheels for easy transportation

- 01
- 02
- 03
- 04
- 05
- 06
- 07
- 08



**GHN600**





## **04| Gear**

| Transmission jacks

01

02

03

**04**

05

06

07

08

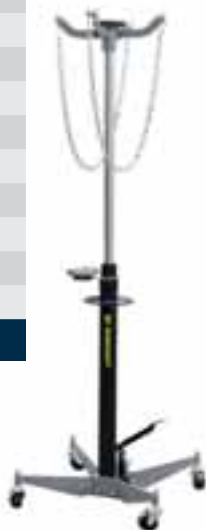
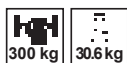
## TRANSMISSION JACKS



**Model** Part#  
**GHN300** 8951000131

Model	GHN300
Capacity	300 kg
min. height	1180 mm
max. height	2010 mm
Weight	30.6 kg
A / B	560 / 590 mm
C	75 mm
D	1180 mm
E	2010 mm
F	830 mm
G	460 mm
H	20 mm
Oil volume	760 ml

**Capacity 300 kg**

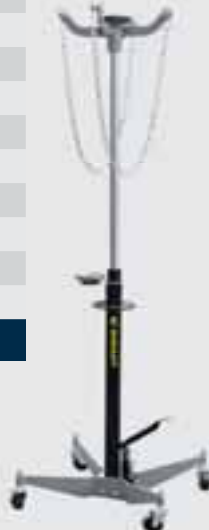
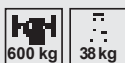


- Chromed cylinder in an oil bath
- Easy to position with round horizontal handle
- Large foot pedal for lifting without locking position
- Small foot pedal for lowering
- Automatic descent stop-pedal
- Safety valve against overloading
- Reversible crown to place drain pans
- Incl. 1,2 m length chain to fix load

**Model** Part#  
**GHN600** 8951000132

Model	GHN600
Capacity	600 kg
min. height	1180 mm
max. height	2000 mm
Weight	38 kg
A / B	560 / 590 mm
C	75 mm
D	1180 mm
E	2000 mm
F	820 mm
G	460 mm
H	20 mm
Oil volume	910 ml

**Capacity 600 kg**



- Chromed cylinder in an oil bath
- Easy to position with round horizontal handle
- Large foot pedal for lifting without locking position
- Small foot pedal for lowering
- Automatic descent stop-pedal
- Safety valve against overloading
- Reversible crown to place drain pans
- Incl. 1,2 m length chain to fix load

**Model** Part#  
**GHN1000** 8951000133

Model	GHN1000
Capacity	1000 kg
min. height	1180 mm
max. height	2010 mm
Weight	50 kg
A / B	560 / 590 mm
C	75 mm
D	1180 mm
E	2010 mm
F	830 mm
G	455.5 mm
H	20 mm
Oil volume	1320 ml

**Capacity 1000 kg**



- Chromed cylinder in an oil bath
- Easy to position with round horizontal handle
- Large foot pedal for lifting without locking position
- Small foot pedal for lowering
- Automatic descent stop-pedal
- Safety valve against overloading
- Reversible crown to place drain pans
- Incl. 1,2 m length chain to fix load



# Transmission Jacks 300-1000 Kg capacity

- 01
- 02
- 03
- 04
- 05
- 06
- 07
- 08

**Anti-rust : chromed cylinder in an oil bath**

**Convenient & complete:**  
Provided with a 1.2m length chain, a reversible claw with rubber pad and a magnetic tray

**Round horizontal handle**

**High stability:**  
Large & low clearance base

**Hands-free operation :**  
Large foot pedal for lifting without locking position and a small foot pedal for lowering



**GHN300  
600-1000**



HRS04

## 05| Car Body

- | Hydraulic ram sets
- | Pneumatic hydraulic pump
- | Hydraulic cylinders
- | Mobile hydraulic straightener
- | Pull clamps
- | Accessories

01

02

03

04

**05**

06

07

08

**Model** Part#  
**HRS04** 8951000124

**Model** Part#  
**HRS10** 8951000125

Model	HRS04
Stroke cylinder	120 mm
ø Cylinder	40 mm
ø Cylinder	44 mm
ø Piston	25 mm
min. Length	268 mm
max. Length	388 mm
Oil volume Pump	0,4 l
Oil volume Cylinder	0,4 l
max. Pressure	700 bar
<b>4 ton capacity</b>	

- Hydraulic ram sets
- Application: pushing - widening - clamping HRS04 with 4t
- Easy assembly because of unthreaded connections
- 17 piece set in a plastic case for easy storage
- Each piece with its own moulded compartment to keep the set complete  
NO LOOSE STYROFOAM MOULDS
- Includes full set of accessories

#### HRS04 and HRS10 set



Model	HRS10
Stroke cylinder	130 mm
ø Cylinder	56,5 mm
ø Cylinder	63 mm
ø Piston	40 mm
min. Length	320 mm
max. Length	450 mm
Oil volume Pump	0,5 l
Oil volume Cylinder	0,5 l
max. Pressure	700 bar
<b>10 ton capacity</b>	

- Hydraulic ram sets
- Application: pushing - widening - clamping HRS10 with 10t
- Easy assembly because of unthreaded connections
- 17 piece set in a plastic case for easy storage
- Each piece with its own moulded compartment to keep the set complete  
NO LOOSE STYROFOAM MOULDS
- Includes full set of accessories

#### Accessories for HRS04/HRS10



**Pump**  
 for Part#  
**HRS04** 8950321713  
**HRS10** 8950321748



**Hose 1.500 mm**  
 for Part#  
**HRS04** 8951011979  
**HRS10**



**Push ram 10 t**  
 for Part#  
**HRS04** 8950321714  
**HRS10** 8950321749



**Spreader 0,5 t**  
 for Part#  
**HRS04** 8950321715  
**HRS10**

Model	Part#
<b>Extension kit HRS04</b>	8950390020
<b>Extension kit HRS10</b>	8950390035



400 mm  
 350 mm  
 250 mm  
 100 mm



**Tool box**  
 for Part#  
**HRS04** 8950390006  
**HRS10** 8950390022

Model	Part#
<b>Connector kit HRS04</b>	8950390021
<b>Connector kit HRS10</b>	8950390036



Protection piece for piston



Plate



Prisma piece



Wedge piece, sharp



Push for piston



Push for cylinder



Rubber

**Model**    Part#  
**HRS20**    8951000126


Model	HRS20
Stroke cylinder	130 mm
ø Cylinder	90 mm
ø Piston	60 mm
min. Length	280 mm
max. Length	410 mm
Oil volume Pump	0,9 l
Oil volume Cylinder	0,9 l
max. Pressure	700 bar

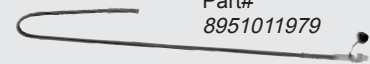
## 20 ton capacity









- Hydraulic ram set 20t , 20 pcs.
- Application: pushing - clamping
- All accessories in steel with threaded connections
- 2-step hand pump for 700 bar working pressure
- Stored in 2 durable metal boxes
- Including full set of accessories
- 130 mm stroke of hydraulic cylinder
- Hose length 1500 mm (pump/cylinder)







### Accessories for HRS20

 **Pump, hydraulic 2-step**  
 Part#  
 8950321755

 **Hose**  
 Part#  
 8951011979

Model	Part#
<b>Connector kit HRS20</b>	8950390050
	Lock pin
	Connector male thread
	Connector female thread
	Plunger base
	Extension
	Toe lift
	Wedge head
	Saddle

Model	Part#
<b>Extension kit HRS20</b>	8950390049
	700 mm
	500 mm
	250 mm
	125 mm

### Accessories for HRS04/HRS10/HRS20

**Model**    Part#  
**PHP10**    8951000136



Pneumatic-hydraulic Pump.  
 Adaptable with cylinders of HRS04 / HRS10 / HRS20  
 Description see page 34

- 01
- 02
- 03
- 04
- 05**
- 06
- 07
- 08



# PNEUMATIC-HYDRAULIC PUMP HYDRAULIC CYLINDER / PULL CLAMPS

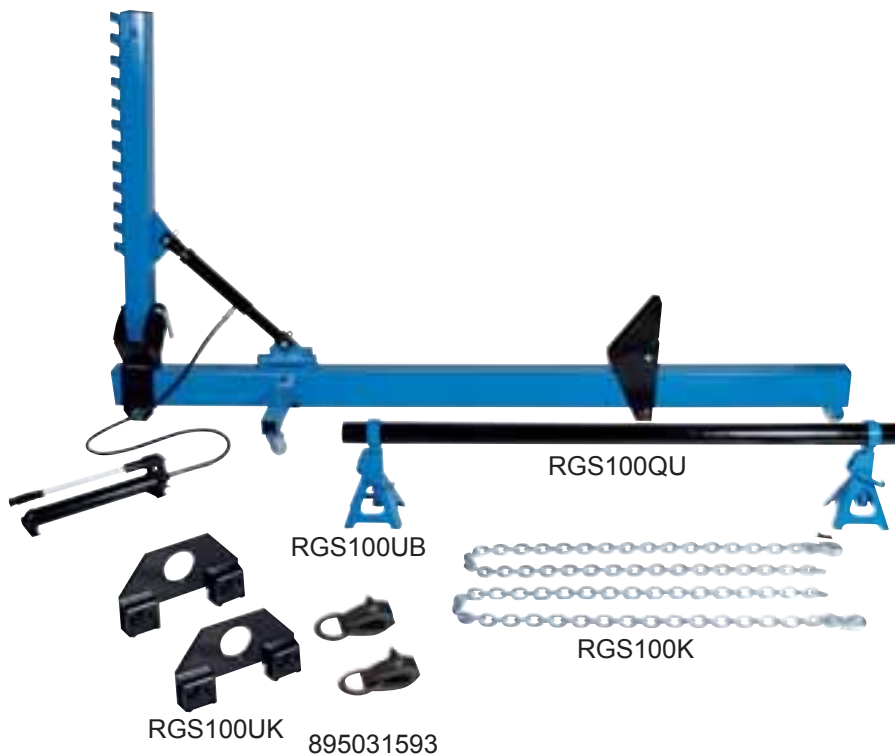


**Model** Part#  
**RGS100** 8951089054

Model	RGS100
Dimensions:	
A	2.900 mm
B	1.600 mm
C	600-700 mm
D	0-1.900 mm
E	720 mm
Gradient	2 x 45°
Weight	230 kg



**10 ton capacity**



- Easy to move with oil and acid resistant plastic wheels
- Strong 8" 10 t hydraulic ram
- Pull arm can be tilted sideways 45°
- Precise control of pump serves smaller or even delicate straightening applications
- PHP10 is an ideal supplement for this tool that will save time and reduce the manual effort
- **Delivery includes:**

- 1x manual pump with high pressure hose (length 1.50 m)
- 2x chains, length of 1.50 m (model RGS100K-8951011083) with hook (model RGS100H-8951011082)
- 2x jack stands, adjustable in height (model RGS100UB - 8951011080)
- 2x body clamps\*, long type - hole diameter 75 mm (model RGS100UK - 8951011084)
- 1x supporting pipe length 1,80 m, diameter 74 mm (model RGS100QU - 8951011081)
- 2x universal pull clamps with ring (895031593)
- 1x counter support, complete (shark's fin)

**Model** Part#  
**PHP10** 8951000136



Pneumatic-hydraulic Pump. Convenient and easy to handle, operation by hand or foot. 1-step silenced pump with high performance. Ideal in combination with rams like HRS04/ HRS 10/HPP10 and dozer RGS 100. Maximum hydraulic pressure 700 bar. Oil capacity 0.7 l, hydraulic high pressure hose length 1,5 m

**Model** Part#  
**HRZ** 8951000137



Pulling ram  
Pulling force 5 t. Stroke 156 mm. Thread on cylinder 1/4". Length maximum 665 mm (including hook)

**Model** Part#  
**HRD10F** 8951000138



Push ram  
Pushing force 4 t / 10 t. Stroke 10 mm. Min. height 42 mm. Length min. 83 mm. Width 58 mm. Thread on cylinder 1/4". Adaptable with pumps PHP10

**Model** Part#  
**HRD10K** 8951000139



Push ram  
Pushing force 10 t. Hydraulic stroke 50 mm. Length minimum 130 mm. Thread on cylinder 1/4". Adaptable with pumps PHP10

**Model** Part#  
**101** 8951011064

Model	101
Total length	225 mm
Total width	85 mm
Total height	70 mm
Height of grip	22 mm
Width of grip	40 mm
Bolt/nut	M16x70
Weight	1,8 kg

One pulling direction



**Model** Part#  
**102NN** 8951011068

Model	102NN
Total length	240 mm
Total width	155 mm
Total height	40 mm
Height of grip	15 mm
Width of grip	35 mm
Bolt/nut	M14x110
Weight	2,1 kg

Two pulling directions



**Model** Part#  
**601N** 8951011073

Model	601N
Total length	180 mm
Total width	120 mm
Total height	150 mm
Height of grip	15 mm
Width of grip	120 mm
Bolt/nut	M14x68
Weight	2,7 kg

Two pulling directions



**Model** Part#  
**101N** 8951011066

Model	101N
Total length	220 mm
Total width	120 mm
Total height	45 mm
Height of grip	25 mm
Width of grip	43 mm
Bolt/nut	M16x70
Weight	1,8 kg

Two pulling directions



**Model** Part#  
**301** 8951011069

Model	301
Total length	260 mm
Total width	65 mm
Total height	80 mm
Height of grip	25 mm
Width of grip	30 mm
Bolt/nut	M14x68
Weight	1,6 kg

Quick chain hook



**Model** Part#  
**901** 8951011071

Model	901
Total length	200 mm
Total width	65 mm
Total height	65 mm
Height of grip	-
Width of grip	-
Bolt/nut	-
Weight	1,3 kg

Chain shortener



**Model** Part#  
**102** 8951011065

Model	102
Total length	240 mm
Total width	125 mm
Total height	45 mm
Height of grip	15 mm
Width of grip	35 mm
Bolt/nut	M14x120
Weight	2,0 kg

One pulling direction



**Model** Part#  
**402** 8951011070

Model	402
Total length	180 mm
Total width	180 mm
Total height	45 mm
Height of grip	15 mm
Width of grip	45 mm
Bolt/nut	-
Weight	2,4 kg

One pulling direction



**Model** Part#  
**102N** 8951011067

Model	102N
Total length	230 mm
Total width	90 mm
Total height	35 mm
Height of grip	15 mm
Width of grip	35 mm
Bolt/nut	M14x110
Weight	2,0 kg

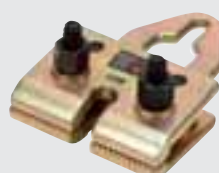
One pulling direction



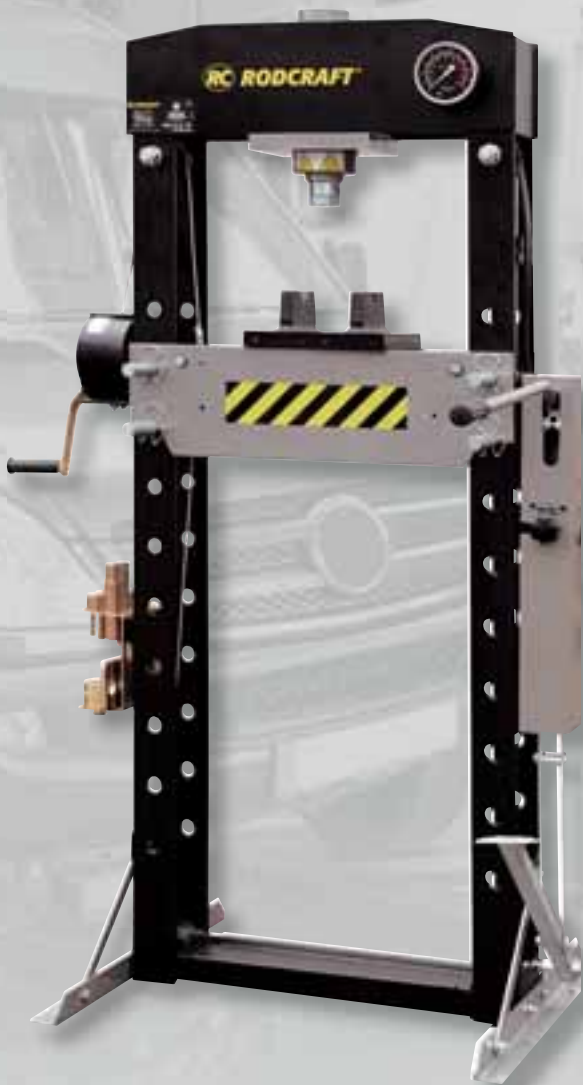
**Model** Part#  
**601** 8951011072

Model	601
Total length	180 mm
Total width	120 mm
Total height	70 mm
Height of grip	15 mm
Width of grip	120 mm
Bolt/nut	M14x68
Weight	2,3 kg

One pulling direction



- 01
- 02
- 03
- 04
- 05
- 06
- 07
- 08



**WP30P**

## **06| Workshop presses**

- | Workshop presses
- | Accessories

01

02

03

04

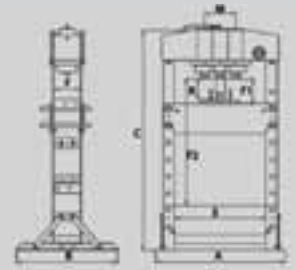
05

**06**

07

08

## WORKSHOP PRESSES



**Model** Part#  
**WP15** 8951000064

**RODCRAFT**  
Premium

**Model** Part#  
**WP20S** 8951000065

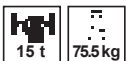
**RODCRAFT**  
Premium

**Model** Part#  
**WP30P** 8951000071

**RODCRAFT**  
Premium

Model	WP15
Capacity	15 t
Max. Width A	700 mm
max. Length B	540 mm
max. Height C	882 mm
Width inside frame E	500 mm
Distance inside frame F	120 mm
Distance over table F 1 min.	157 mm
Distance over table F 2 max.	457 mm
Hydraulic stroke R	160 mm
Oil volume	0.6 l
Weight	75.5 kg

2 stage hydraulic



- Professional workshop press with welded frame
- Manual hydraulic pump with ergonomic handle
- 2-speed pump that can be manually switched
- Easy-to-read large gauge
- For pressing on smaller diameters (like bushings and bearings) we offer a press bolt set from our accessory range that fits this press and contains various press bolts, a quick chuck and a punch plate

Model	WP20S
Capacity	20 t
Max. Width A	740 mm
Max. Length B	700 mm
Max. Height C	1772 mm
Width inside frame E	510 mm
Distance inside frame F	132 mm
Distance over table F 1 min.	185 mm
Distance over table F 2 max.	1175 mm
Hydraulic stroke R	186 mm
Oil volume	0.95 l
Weight	105 kg

2 stage hydraulic



- Workshop press for applications that can be done while standing
- Especially useful for larger work pieces
- Robust, welded frame
- Automatic 2-speed hydraulic pump with sturdy lever in ergonomic position for powerful pressing
- For pressing on smaller diameters (like bushings and bearings) we offer a press bolt set from our accessory range that fits this press and contains various press bolts, a quick chuck and a punch plate

Model	WP30P
Capacity	30 t
max. Width A	795 mm
max. Length B	700 mm
max. Height C	1772 mm
Width inside frame E	535 mm
Distance inside frame F	140 mm
Distance over table F 1 min.	151 mm
Distance over table F 2 max.	1031 mm
Hydraulic stroke R	160 mm
Oil volume	1.1 l
Weight	167 kg

Foot pump



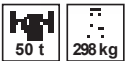
- Workshop press with extra wide robust, welded frame
- For one person operation
- Cylinder can be shifted sideways for versatile applications
- 2-speed pump that can be switched manually - for fast approach and powerful pressing
- Includes a set of press bolts with quick change chuck (see DS8)
- Adjust the press table easily with the help of the suspending cables and the central winch

**Model** Part#  
**WP50P** 8951000072



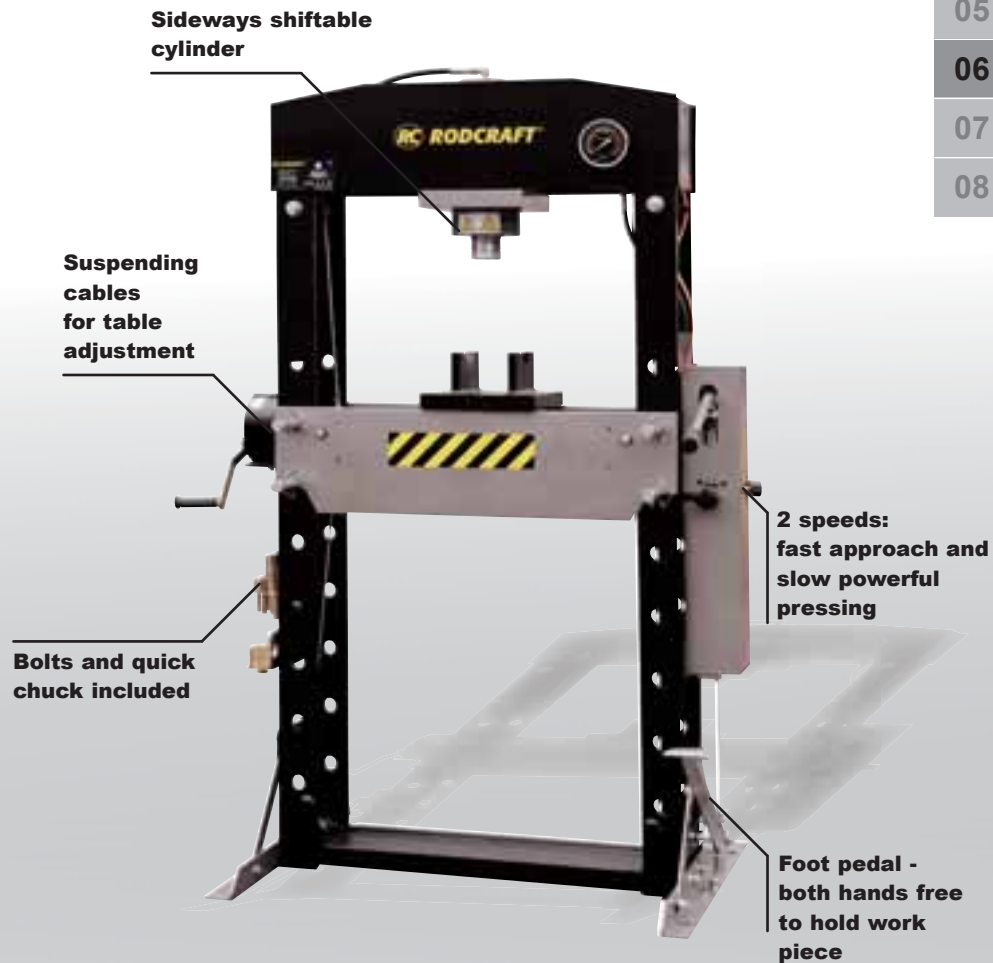
Model	WP50P
Capacity	50 t
max. Width A	1030 mm
max. Length B	800 mm
max. Height C	1830 mm
Width inside frame E	730 mm
Distance inside frame F	207 mm
Distance over table F 1 min.	68 mm
Distance over table F 2 max.	1048 mm
Hydraulic stroke R	200 mm
Oil volume	2.5 l
Weight	298 kg

**Foot pump**



- Workshop press with extra wide robust, welded frame
- For one person operation
- Cylinder can be shifted sideways for versatile applications
- 2-speed pump that can be switched manually - for fast approach and powerful pressing
- Includes a set of press bolts with quick change chuck (see DS8)
- Adjust the press table easily with the help of the suspending cables and the central winch

# Comfortable 30t or 50t presses



**Accessories**

**Model** Part#  
**DS8** 8955000050



- Press bolt set with punch plate and quick chuck
- Fits the pistons of all presses shown here
- The quick chuck allows the fast exchange of press bolts to adapt the diameter of the press bolt to various applications
- Already included with models WP30P and WP50P

**Model** Part#  
**Punch plate** 8955000049



**Model** Part#  
**Quick change** 8955000039



**Model** Part#  
**Punch 10 mm** 8955000048  
**Punch 12 mm** 8955000047  
**Punch 16 mm** 8955000042  
**Punch 18 mm** 8955000041  
**Punch 20 mm** 8955000043  
**Punch 22 mm** 8955000044  
**Punch 25 mm** 8955000045  
**Punch 30 mm** 8955000046

- 01
- 02
- 03
- 04
- 05
- 06
- 07
- 08

**Model** Part#  
**WP75P** 8951000170



Model	WP75P
Capacity	75 t
max. Width A	1140 mm
max. Length B	800 mm
max. Height C	1840 mm
Width inside frame E	800 mm
Distance inside frame F	245 mm
Distance over table F 1 min.	170 mm
Distance over table F 2 max.	884 mm
Hydraulic stroke R	250 mm
Oil volume	4.5 l
Weight	498 kg

2 stage hydraulic



- No Features Gb inDB

**Model** Part#  
**WP100P** 8951000171



Model	WP100P
Capacity	100 t
max. Width A	1200 mm
max. Length B	990 mm
max. Height C	1830 mm
Width inside frame E	787 mm
Distance inside frame F	300 mm
Distance over table F 1 min.	114 mm
Distance over table F 2 max.	814 mm
Hydraulic stroke R	300 mm
Oil volume	5.6 l
Weight	766 kg

2 stage hydraulic



- No Features Gb inDB



01  
02  
03  
04  
05  
06  
07  
08

# Durable and easy to use

**Convenient**

Winch to manipulate the cylinder and the table

**Versatile**

Delivered with a quick chuck and 8 punches

**Precision**

**Fast & Easy Work**

Pneumatic pump driven by foot



**WP100P**



RWH703

## **07| Wheel Dolly**

| Wheel Dolly

01

02

03

04

05

06

**07**

08

Model Part#  
**RG600** 8951089045

Max. width 300 mm



 600 kg  
 18 kg

- Easy positioning of cars
- moving in all directions
- Simple to use with foot pedal
- The wheel is lowered when turning the valve
- Knob - robust hydraulic system instead of high maintenance mechanical mechanism (no regreasing of gears etc.)
- For tyres up to a width of 300 mm and a diameter of 650 mm
- Weight 18 kg
- Capacity 600 kg



Model Part#  
**RHW1** 8951089091

Adjustable 290-620 mm



 250 kg  
 18 kg

- Assembly aid for various types of wheels
- Adjustable arms for various wheel sizes (width 29 – 62 cm)
- Equipped with rollers for easy positioning of wheels onto the vehicle's stud bolts or holes in the brake disk
- With stop rollers on the rear side that avoid pushing the wheel onto the frame
- Ergonomic handle with rounded and soft grip
- Handle length adjustable (3 positions)
- Max. capacity 250 kg



Model Part#  
**RHW703** 8951000168

Adjustable 545-1280 mm



 700 kg  
 115 kg

- Application: quick and easy disassembly and assembly of truck wheels and wheel sets, with or without brake drum
- Easy loading and transport to or from the lathe, tyre mounting machine or axle
- 2 swivel front wheels and 3 fixed rear wheels facilitate movingd precise positioning of the lift in order to avoid damage to axle bolts (no more tapping for repair of bolts needed)
- Saves time and contributes to safety and worker's health (spine)
- Practical foot pedal for lowering the lifted wheels (dead man auto-stop valve)
- Sturdy chassis made of square steel bars with max. capacity 700 kg
- Retaining arms can be adjusted sideways for small wheels as well as wheel sets
- Each loaded wheel rests stable and can still be turned individually when loaded because of 2 broad chromed rollers on each retaining arm
- Oil and acid resistant heavy duty wheels with large diameter
- Partly foldable and legs can be taken off for storage an easier transport in service cars
- The asymmetrically installed hydraulic unit on one side offers enough space to get access to the wheel hub and bolts even for 1" impact wrenches etc.
- Hydraulic construction for less maintenance in contrast to chain/roller construction

Model Part#  
**RHW120 8951000169**

Adjustable 1000-2200 mm



**1200 kg** **130 kg**

- Application: quick and easy disassembly and assembly of truck wheels and wheel sets, with or without brake drum
- Easy loading and transport to or from the lathe, tyre mounting machine or axle
- 2 swivel front wheels and 4 fixed rear wheels facilitate moving



# Strong and easy to use

Single pump to open and close the arms

3D-move adjustable arm

Large roller with auto-adjustment to the wheel

Tyre dimension from 1000 to 2200mm



**RHW120**

01  
 02  
 03  
 04  
 05  
 06  
 07  
 08



**RSF01**

**08| Various**

- | Torque Wrench
- | Hydraulic wheel lift
- | Creeper
- | Seats
- | Brake fluid tester
- | Start-booster
- | Work light

01

02

03

04

05

06

07

**08**



Model Part#  
**DMS030** 8951000091

Model	DMS030
Square Drive	1/4"
Capacity	5 – 25 N.m
Graduation	0,1 N.m
Length	245 mm
Weight	1.28 kg
<b>1/4" - 5 – 25 N.m</b>	



- Scale in Nm
- Torque adjustment with manual locking in front of the handle
- Fine scale graduation: 0.1 Nm
- Sensitive & sound signals when reaches the torque
- Provided with ISO 6789 calibration certificate
- Provided in a protective blow molded case
- Numbered wrenches

Model Part#  
**DMS060** 8951000092

Model	DMS060
Square Drive	3/8"
Capacity	20 – 100 N.m
Graduation	0,5 N.m
Length	410 mm
Weight	1.5 kg
<b>3/8" - 20 – 100 N.m</b>	



- Scale in Nm
- Torque adjustment with manual locking in front of the handle
- Fine scale graduation: 0.5 Nm
- Sensitive & sound signals when reaches the torque
- Provided with ISO 6789 calibration certificate
- Provided in a protective blow molded case
- Numbered wrenches

Model Part#  
**DMS200** 8951000093

Model	DMS200
Square Drive	1/2"
Capacity	40 – 200 N.m
Graduation	1 N.m
Length	520 mm
Weight	2.02 kg
<b>1/2" - 40 – 200 N.m</b>	



- Scale in Nm
- Torque adjustment with manual locking in front of the handle
- Fine scale graduation: 1 Nm
- Sensitive & sound signals when reaches the torque
- Provided with ISO 6789 calibration certificate
- Provided in a protective blow molded case
- Numbered wrenches



Model Part#  
**DMS400** 8951000094

Model Part#  
**DMS1000** 8951000095

Model	DMS400
Square Drive	3/4"
Capacity	150 – 750 N.m
Graduation	5 N.m
Length	1060 mm
Weight	5,84 kg
<b>3/4" - 150 – 750 N.m</b>	

Model	DMS1000
Square Drive	1"
Capacity	200 – 1000 N.m
Graduation	5 N.m
Length	1255 mm
Weight	6,84 kg
<b>1" - 200 – 1000 N.m</b>	



- Scale in Nm
- Torque adjustment with manual locking in front of the handle
- Fine scale graduation: 5 Nm
- Sensitive & sound signals when reaches the torque
- Provided with ISO 6789 calibration certificate
- Provided in a protective blow molded case
- Numbered wrenches

- Scale in Nm
- Torque adjustment with manual locking in front of the handle
- Fine scale graduation: 5 Nm
- Sensitive & sound signals when reaches the torque
- Provided with ISO 6789 calibration certificate
- Provided in a protective blow molded case
- Numbered wrenches

**DMS030 - 1/4"**



**DMS060 - 3/8"**



**DMS200 - 1/2"**



**DMS400 - 3/4"**



**DMS1000 - 1"**



- 01
- 02
- 03
- 04
- 05
- 06
- 07
- 08

Model **RSF01** Part# *8951089021*

Model **RSF02** Part# *8951089020*

Model	RSF01
Sitting height	480 mm
min. height	150 mm
Length	1.250 mm
Width	450 mm
Weight	14 kg

**Ergonomic sitting height**

Model	RSF02
Min. height	115 mm
Length	1.005 mm
Width	480 mm
Weight	4,8 kg

**Weight 4,8 kg only**



- Creeper - chair in one, for various working heights
- Ergonomic design especially for tiring work
- Folding mechanism with safety lock against unintended folding
- Easy and stable to move on seven large
- Wheels diameter 63 mm oil and acid resistant
- Comfortably upholstered and covered with easy to clean surfaces
- Head rest adjustable in 3 positions
- Storage area for tools, sockets, light (upholstery at feet can be folded up)
- Capacity 90 kg



- Solid creeper construction made of plastic
- Extra low area at arms for more freedom
- Upholstered head rest
- Two easy to reach storage areas for parts and tools
- 6 large oil resistant wheels for noise and vibration reduced moving
- Capacity 90 kg



# CREEPER/BRAKE TESTER/ WORK LIGHT START-BOOSTER

Model Part#  
**BFT02** 8951089032

Model	BFT02
Length	130 mm
Width	20 mm
Weight	20 g

## Brake Fluid Tester



- Easy to operation: 3 modes according to the water % in the brake fluid.
- Supplied with 1 battery



Model Part#  
**LED30** 8951000120

## 2250 Lux 30 LED's



- Rechargeable work light equipped with 30 LED's and 2250 Lux
- 3 different lights: half light, full light, flash light
- Waterproof: IP65 grade
- Li-Ion Akku is charged within 3,5 hours. 6,0 hours of working time.
- Magnetic based housing is 120° adjustable.
- Provided with car plug (12V) and EU plug (AC100-240 V 50/60HZ)



Model Part#  
**BOS12-XA** 8951000062

Model	BOS12-XA
Voltage	12 V
Starting current (amps peak)	3.500 A.p.
Starting current (amps continuous)	1.150 A
Weight	10,2 kg
Recharging capacity	1,5 AH (12V)
Recharging voltage (net to charger)	230 V
Recharging voltage (charger to booster)	14,9 V
Recharging time	15 h
Cycles	500
Cable cross section	28 mm <sup>2</sup>
Cable length	170 cm
Protection against over-tension	yes
Booster batteries	12V 23 Ah
Recharging cable	yes
Shock-proof housing ABS	yes
Dimension booster WxDxH	380x190x335 mm

Made in Europa 12V / 3500 A.p.



BOS12-XA

102 kg

- Mobile and handy aid for start-ups and as a portable source of energy
- Modern 100% gas-proof-sealed battery cells (AGM) with high energy density and 1st-class manufacturing (european quality product) with long life-time
- 170 cm highly flexible long cables
- Solid copper clamps - externally fully insulated - internally connected jaws (conductive band) for large conduction surfaces
- Shock-proof, easy maintenance ABS-housing with practical storage for the cables
- Including an automatic charger (no surcharging, booster can be kept recharging until needed) and equipped with a cable for use in a car's cigarette-lighter socket
- With 5 LED-indicator showing the charging state
- Protects against voltage peaks and preserves memorised data in car computers and radios etc.
- Also reliable under extreme temperature conditions (-40°C up to +45°C)

01  
02  
03  
04  
05  
06  
07  
08

MODEL	PART#	PAGE
AK03	8951081000	24
BC2-2L	8951000178	12
BC2-2S	8951000177	12
BC2-3L	8951000179	12
BFT02	8951089032	51
BOS12-XA	8951000062	51
DMS030	8951000091	48
DMS060	8951000092	48
DMS200	8951000093	48
DMS400	8951000094	49
DMS1000	8951000095	49
GHN300	8951000131	28
GHN600	8951000132	28
GHN1000	8951000133	28
HRD10F	8951000138	34
HRD10K	8951000139	34
HRS04	8951000124	32
HRS10	8951000125	32
HRS20	8951000126	33
HRZ	8951000137	34
LED30	8951000120	51
LHH22	8951084201	13
LHH35	8951084350	13
MGM2	8951000176	21
MGN2	8951000009	14
MGN3	8951000010	14
MGN5	8951000011	14
MGN8	8951000012	14
MGN12	8951000013	14
MGN12F	8951000127	14-15
MGN12L	8951000128	14-15
MGN20	8951000014	14
MGN20F	8951000129	14-15
MGN30	8951000015	14
MGN50L	8951000130	14-15
MMB500	8951089048	21
MP500	8951089050	21
P2	8951000057	25
P4	8951081032	25
P46	8951000058	25
P50	8951000090	25
PHP10	8951000136	34
RG600	8951089045	44
RGS100	8951089054	34
RH135	8951082025	8
RH151	8951000051	9
RH201	8951000003	8
RH215	8951082026	9
RH251	8951082024	9
RH290	8951082031	8
RH301	8951082032	10
RH310	8951082100	11
RH315	8951000063	10

MODEL	PART#	PAGE
RH501	8951082050	10
RHW1	8951089091	44
RHW120	8951000169	45
RHW703	8951000168	44
RSF01	8951089021	50
RSF02	8951089020	50
TK05	8951081013	24
UBZ-2	8951000027	17
UBZ-3	8951000028	17
UBZ-6	8951000029	17
USB1.5	8951000096	16
USB1.5H	8951000097	16
USB3	8951000098	16
USB5	8951000099	16
USB8	8951000101	16
USB8H	8951000102	16
USB12G	8951000103	16
UBS12HG	8951000104	16
USB16H	8951000106	16
USBN5	8951000100	16
WK102K	8951080101	20
WK201KM	8951080200	20
WP15	8951000064	38
WP20S	8951000065	38
WP30P	8951000071	38
WP50P	8951000072	39
WP75P	8951000170	40
WP100P	8951000171	40