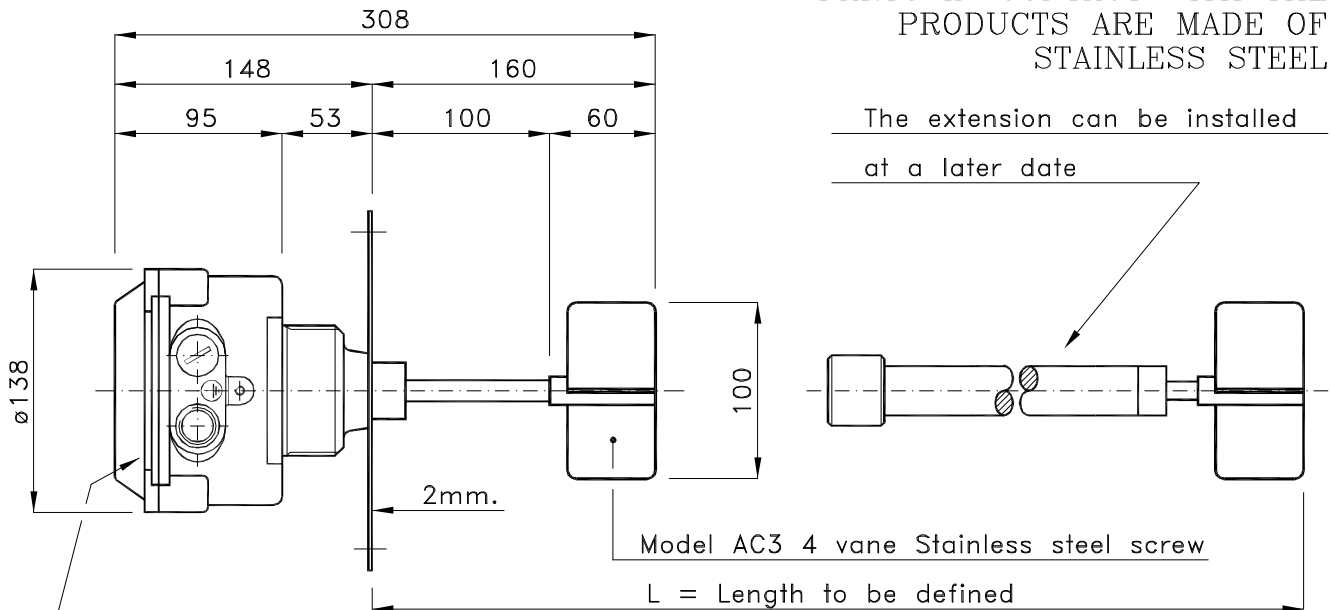


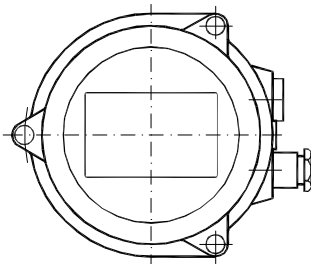
PARTS IN CONTACT WITH THE PRODUCTS ARE MADE OF STAINLESS STEEL



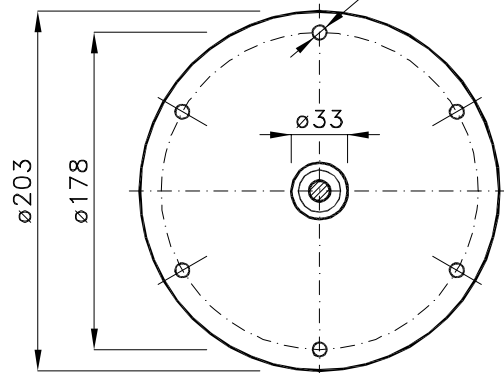
The extension can be installed at a later date

Cable inlet  $\phi 1/2$ " Gas - double horizontal on right side

6 equidistant  $\phi 6.5$  holes



IP65 Protection



### WIRING

- 1 - Common power supply
- 2 - Power supply 110 Va.c. 50/60 Hz
- 3 - Power supply 220 Va.c. 50/60 Hz
- 6 - NC contact 10A/250 Va.c.
- 7 - Common contacts
- 8 - NO contact 10A/250 Va.c.

Ambient temperature range  $-20$  to  $+70$  °C

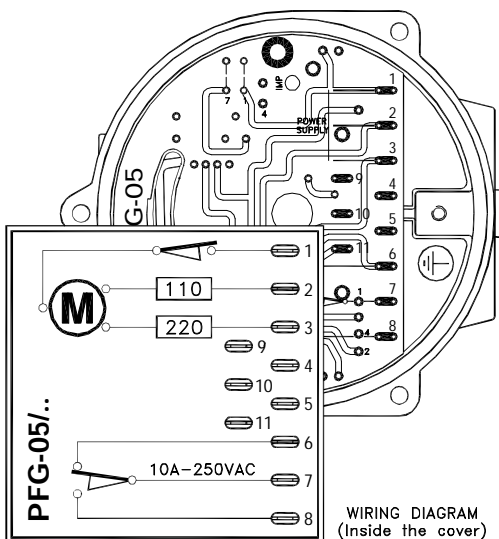
Weight : 2.300 Kg

On request power supply at 24/48 Va.c. 50/60 Hz or power supply at 24 Vd.c.

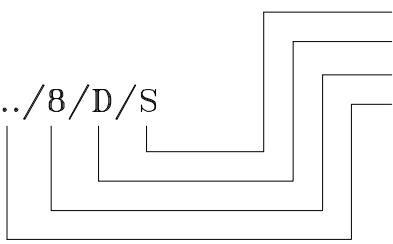
Electric motor draw 4 W

Maximum operational pressure 1.1 bar

Certificate number TÜV 03 ATEX 2374 X



PFG-05/././8/D/S



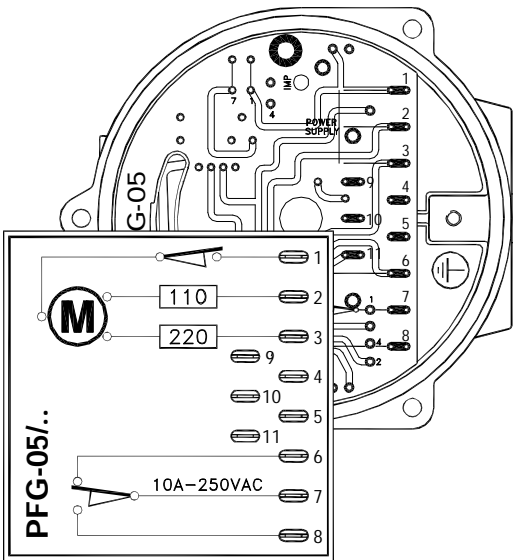
With relay voltage control  
 With double NO/NC contact  
 With control rotating shaft – output 8 pulses/minute  
 Typology level gauge and power supply

- no reference
- With  $\varnothing 2\frac{1}{2}$  Gas threaded connection
  - M - With  $\varnothing 2\frac{1}{2}$  Gas threaded sleeve connection
  - F - With flange connection
  - C - Short
  - X - Parts in contact with the products in Stainless steel
  - AT - For high temperature ( $\leq 200^{\circ}\text{C}$ )
  - V - With double flange connection

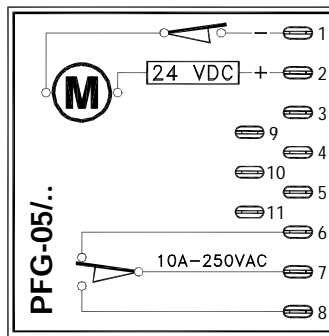
Power supply: 110/220 – 24/48 Va.c. 50/60Hz – 24Vd.c.

The voltage control acts on one power supply on request

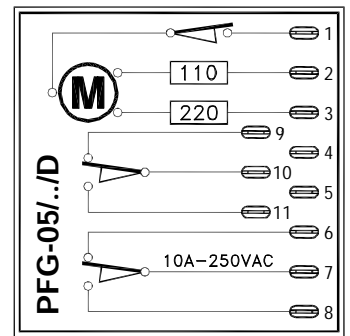
The level gauge can be assembled with different typologies of wiring as follows:



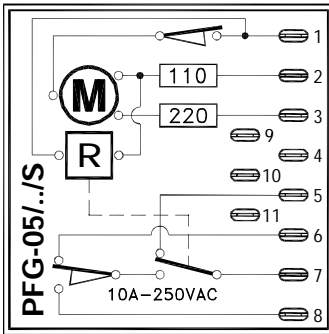
AC Power supply  
NO/NC contact



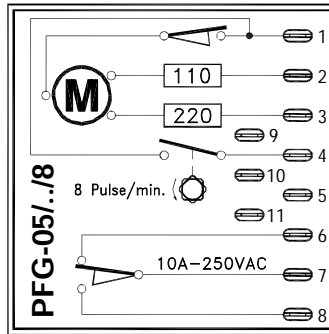
DC Power supply  
NO/NC contact



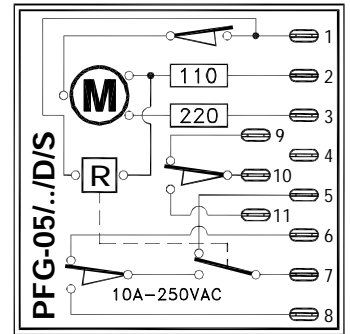
AC or DC Power supply  
Double NO/NC contact



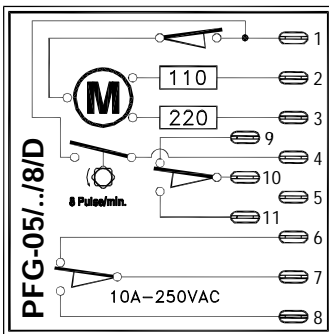
AC or DC Power supply  
NO/NC contact  
Voltage control on one power supply



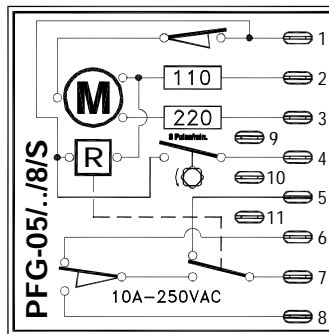
AC or DC Power supply  
NO/NC contact  
Control rotating shaft with  
output 8 pulses/minute



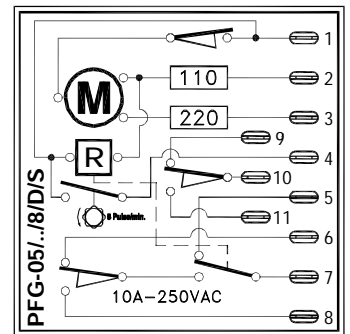
AC or DC Power supply  
Double NO/NC contact  
Voltage control on one power supply



AC or DC Power supply  
Double NO/NC contact  
Control rotating shaft with  
output 8 pulses/minute

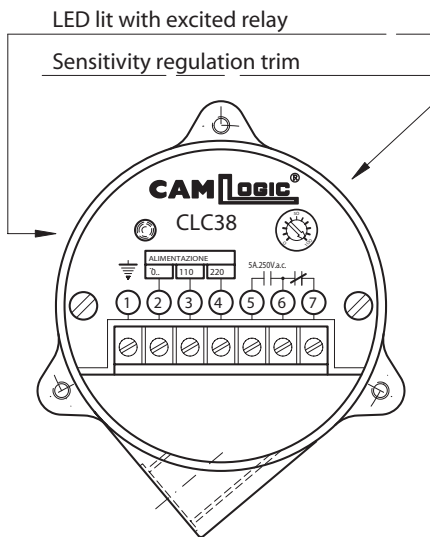
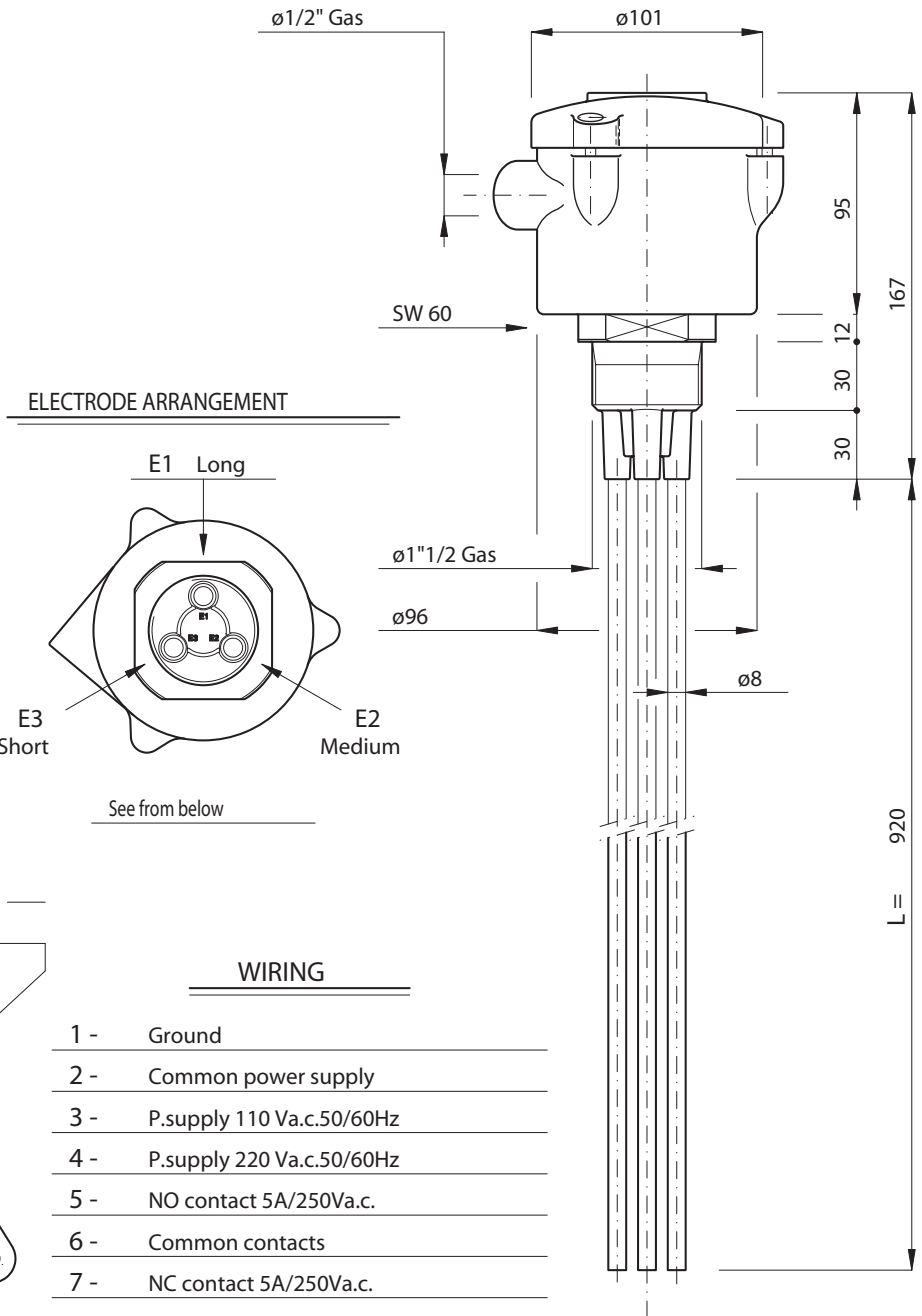
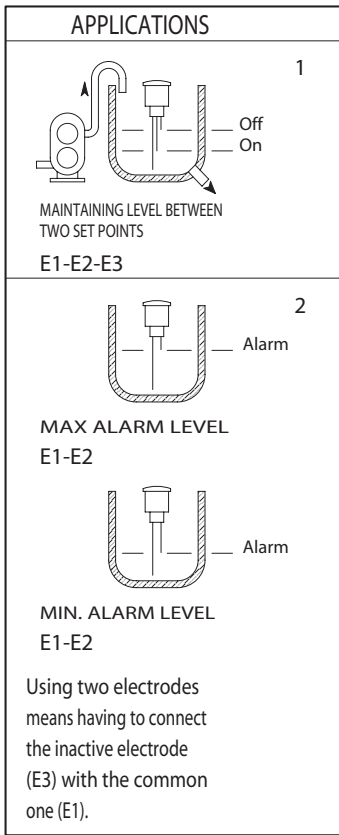


AC or DC Power supply  
NO/NC contact  
Control rotating shaft with  
output 8 pulses/minute  
Voltage control on one power supply



AC or DC Power supply  
Double NO/NC contact  
Control rotating shaft with  
output 8 pulses/minute  
Voltage control on one power supply

## LEVEL GAUGES vast range, long-lasting



### WIRING

- 1 - Ground
- 2 - Common power supply
- 3 - P.supply 110 Va.c.50/60Hz
- 4 - P.supply 220 Va.c.50/60Hz
- 5 - NO contact 5A/250Va.c.
- 6 - Common contacts
- 7 - NC contact 5A/250Va.c.

Electric draw 1 W to 220 Va.c.

On request power supply at 24/48 V.

IP65 Protection

NYLON6+30%Glass-fiber casing

Max. temperature 90°C

Weight : 2,200 Kg

Max pressure 8 bar

Ambient temperature range -5 to +70°C

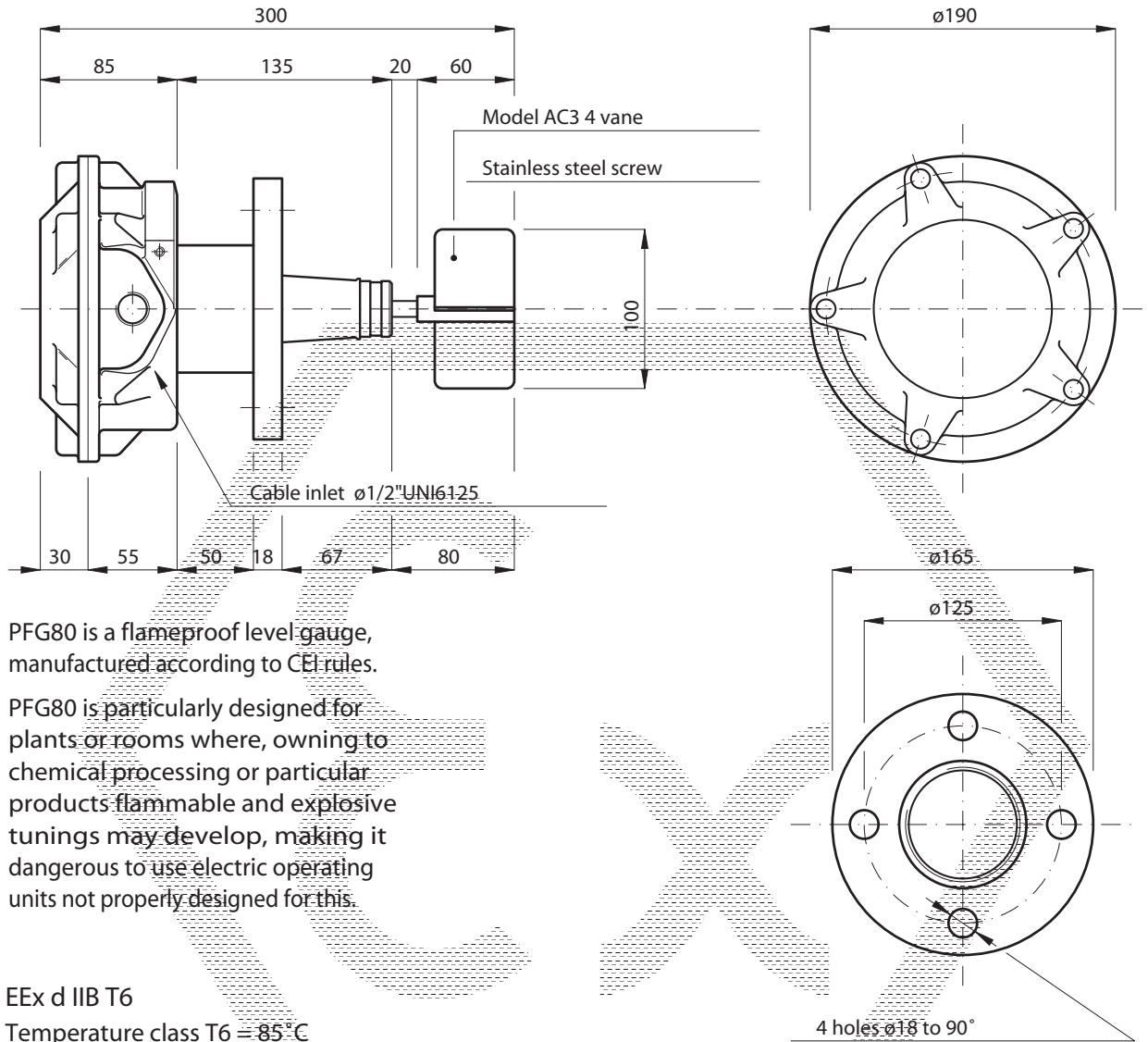
Stainless steel electrodes

Made with 2 or 3 electrodes

ON REQUEST THE ELECTRODES ARE SUPPLIED WITH

THE LENGTH ESTABLISHED BY THE CUSTOMER :

E1 L= ,E2 L= ,E3 L= .



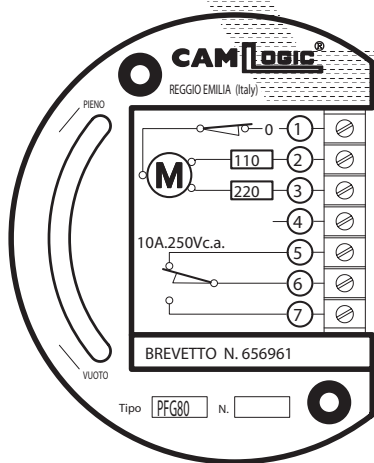
PFG80 is a flameproof level gauge, manufactured according to CEI rules.

PFG80 is particularly designed for plants or rooms where, owing to chemical processing or particular products flammable and explosive tunings may develop, making it dangerous to use electric operating units not properly designed for this.

EEx d IIB T6

Temperature class T6 = 85°C

### WIRING



- 1 - Common power supply
- 2 - Power supply 110 Va.c. 50/60 Hz
- 3 - Power supply 220 Va.c. 50/60 Hz
- 4 - Not used
- 5 - NC contact 10A/250 Va.c.
- 6 - Common contacts
- 7 - NO contact 10A/250 Va.c.

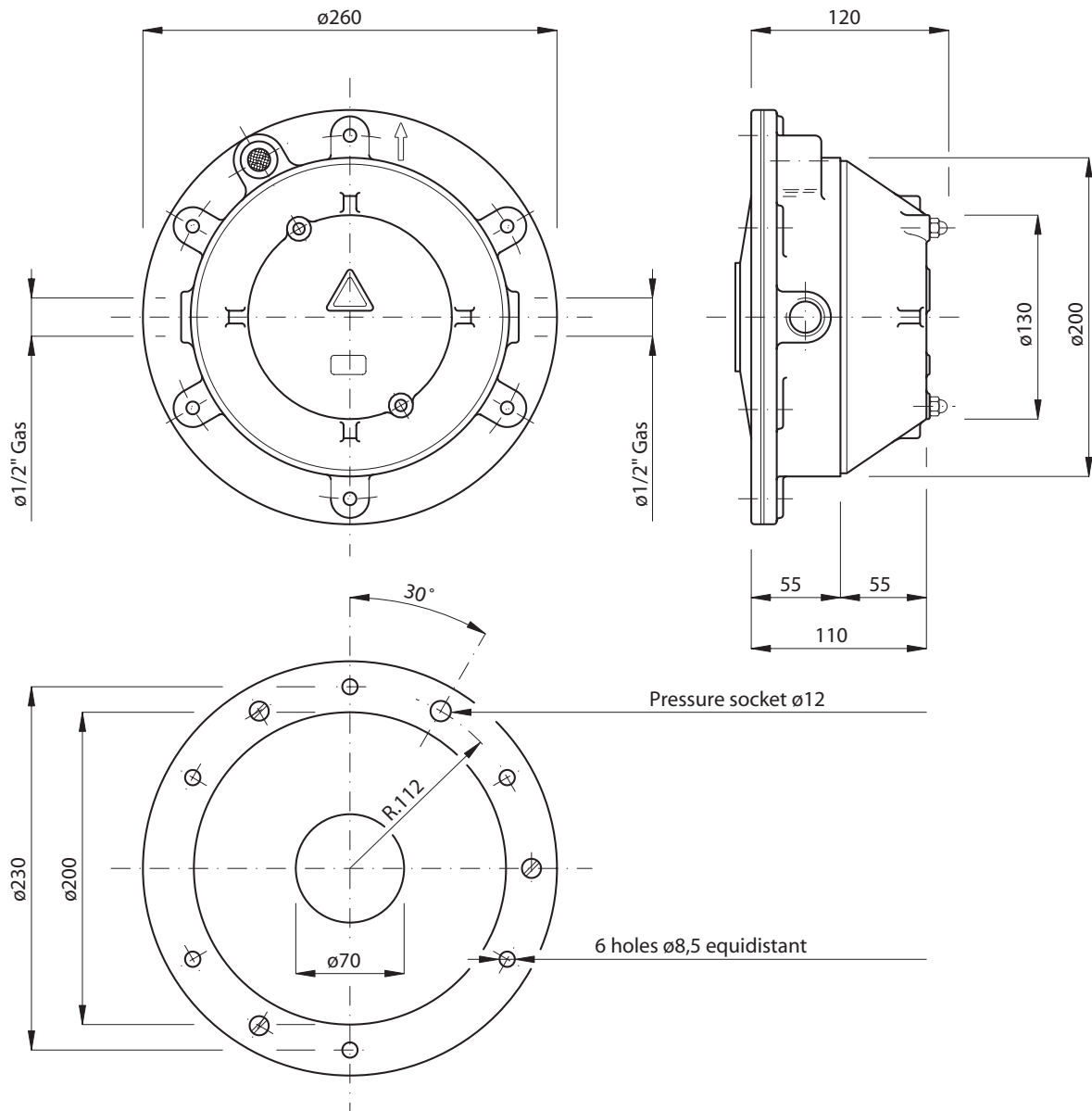
Electric motor draw 4 W

Weight : 5,700 Kg

On request power supply at 24/48 Va.c. 50/60 Hz

Certificate of conformity CESI Ex-97.D.060

IP65 Protection

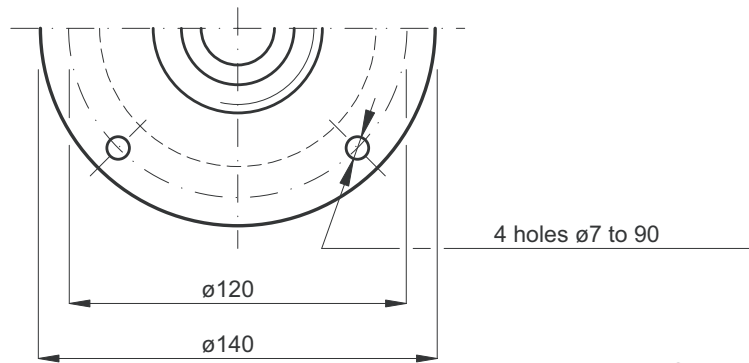
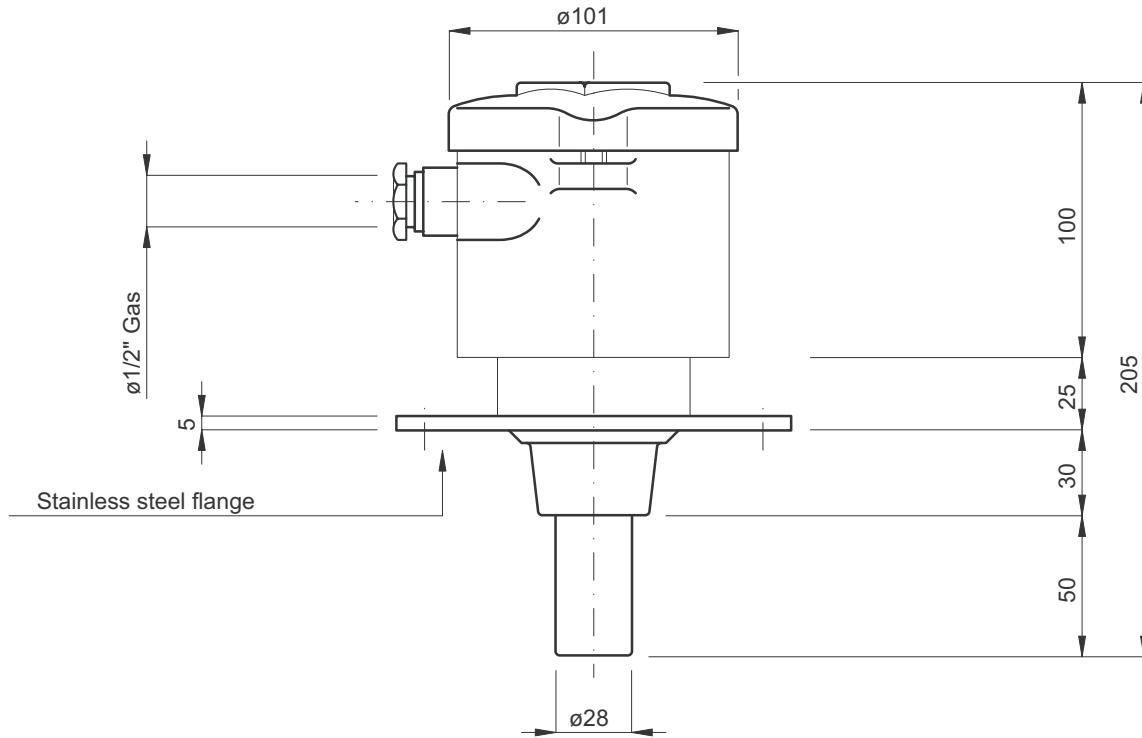


CONSTRUCTION	: Cast in aluminium alloy	IP55 PROTECTION
WEIGHT	: 2,700 Kg	Ambient temperature range -10 to +70°C
USE	: 1 exchange contact N.O. - N.C. 15A-250V	
FITTING	: Vertical or with maximum inclination of 45°	
VERSIONS	: MN.30 with membrane in rubber	
	: MN.30S with silicone membrane - max. temperature 100°C	

THE TENSION OF THE MEMBRANE CAN BE REGULATED BY MEANS OF AN INTERNAL COUNTERWEIGHT

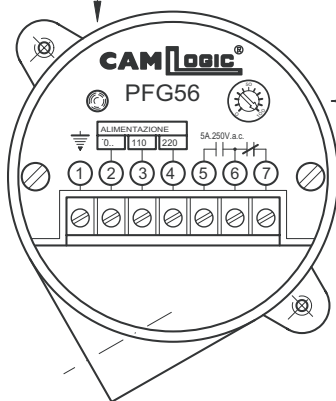
AIR INTAKE FROM THE TANK TO BALANCE THE PRESSURE ACTING ON THE MEMBRANE

DOUBLE 1/2" GAS CABLE ENTRY POSITIONED ON THE TWO SIDES



The trim stop clockwise position enables the static test on the equipment by exciting the relay ( maximum sensitivity )

LED lit with excited relay



Certificate number TÜV 03 ATEX 2374 X



IP65 Protection

### WIRING

- 1 - Ground
- 2 - Common power supply
- 3 - Power supply 110 Va.c.50/60Hz
- 4 - Power supply 220 Va.c.50/60Hz
- 5 - NO contact 5A/250Va.c.
- 6 - Common contacts
- 7 - NC contact 5A/250Va.c.

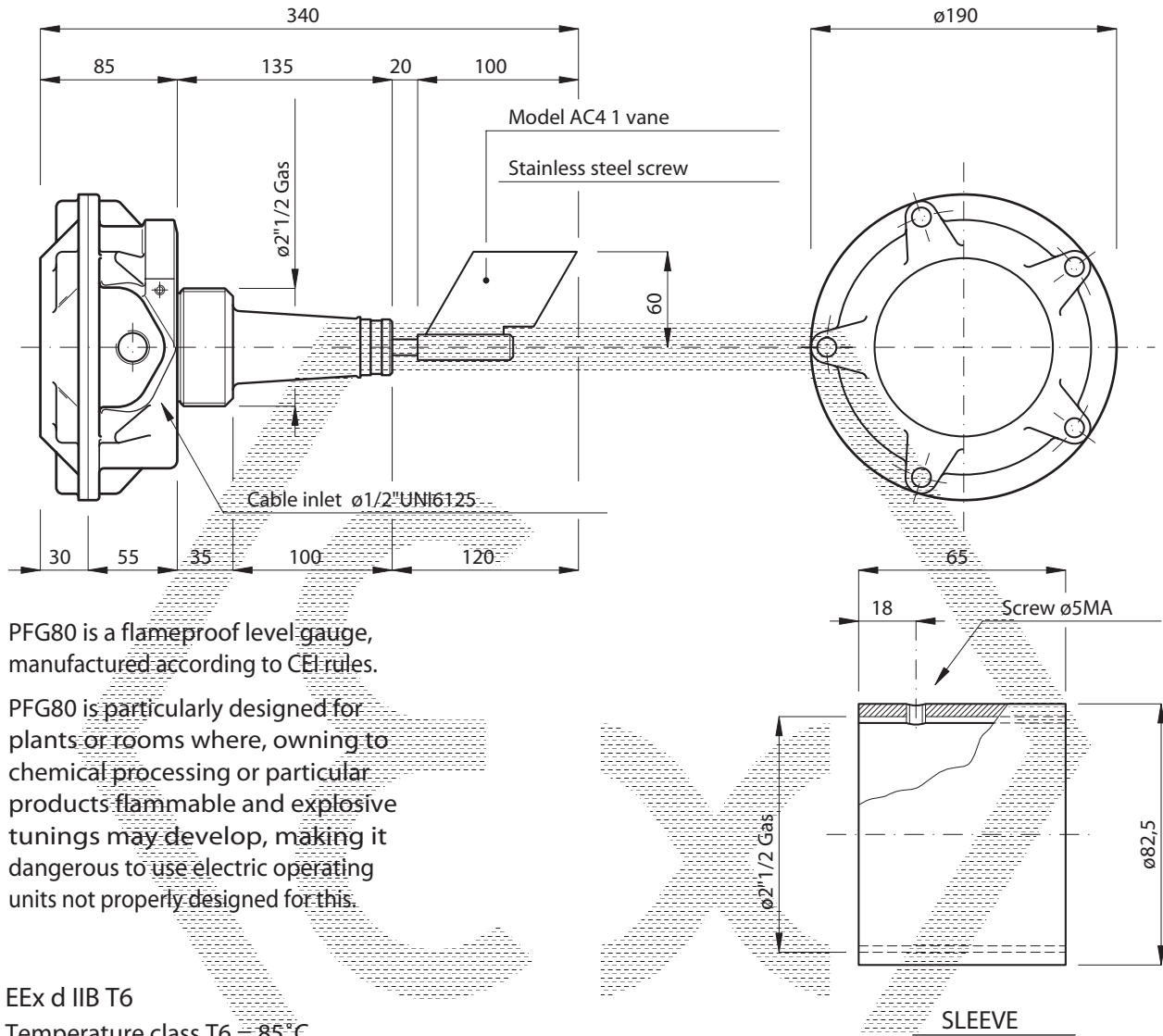
Electric draw 1 W to 220 Va.c.

Ambient temperature range -20 to +70 C

Weight : 1,100 Kg

On request power supply at 24/48 V.

Maximum operational pressure 8 bar



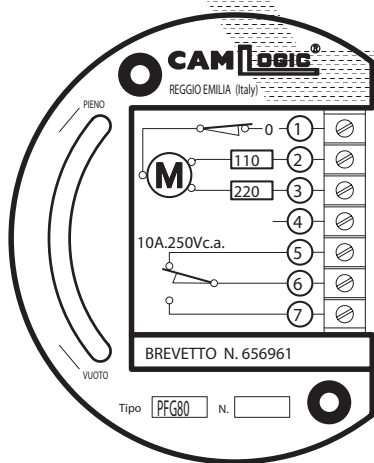
PFG80 is a flameproof level gauge, manufactured according to CEI rules.

PFG80 is particularly designed for plants or rooms where, owing to chemical processing or particular products flammable and explosive tunings may develop, making it dangerous to use electric operating units not properly designed for this.

EEx d IIB T6

Temperature class T6 = 85°C

Certificate of conformity CESI Ex-97.D.060



IP65 Protection

### WIRING

- |     |                                 |
|-----|---------------------------------|
| 1 - | Common power supply             |
| 2 - | Power supply 110 Va.c. 50/60 Hz |
| 3 - | Power supply 220 Va.c. 50/60 Hz |
| 4 - | Not used                        |
| 5 - | NC contact 10A/250 Va.c.        |
| 6 - | Common contacts                 |
| 7 - | NO contact 10A/250 Va.c.        |

Electric motor draw 4 W

Weight : 3,500 Kg

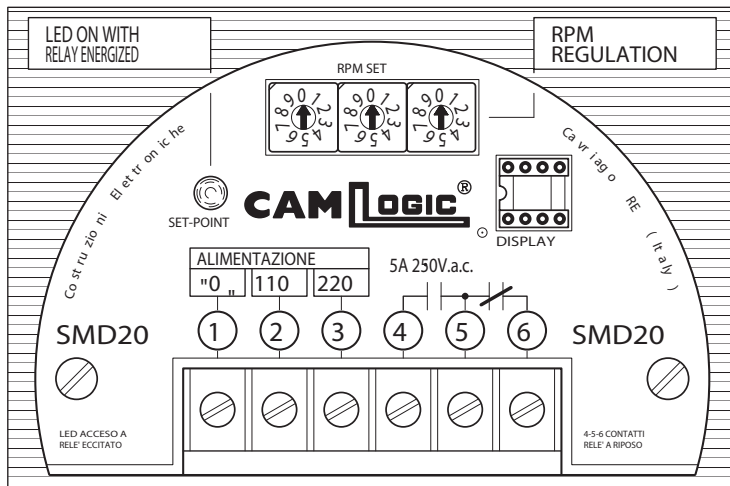
On request power supply at 24/48 Va.c. 50/60 Hz

The CAMLOGIC SMD20 Digital Rev Monitor guarantees on-going supervision of the functional parameters of any rotating part of a machine. The special version can control continuous straight-line movement. If there is a mechanical breakdown, shutdown or a decrease in the machine's Rpm, the Rev Monitor can shutdown the entire system or generate an emergency signal by means of an output switch-over contact.

### HOW DOES IT WORK ?

Once the operating revs have been set for the machine to be controlled, whenever the revs detected are equal to or higher than these settings, the switch-over contacts change and the LED is lit. If the revs are lower than the setting, the switching-contact break relay trips and the LED goes out. The rev monitor starts up with the relay energized for 10

seconds with the contacts in make and the LED lit.



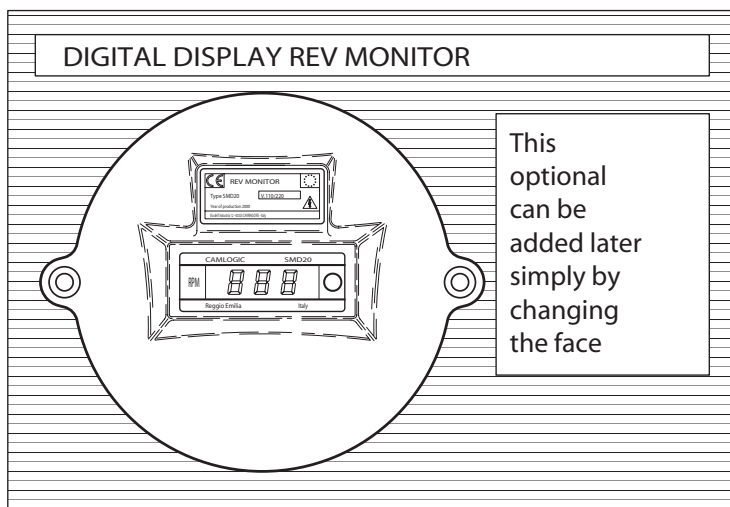
### WIRING

- |       |   |                     |   |       |
|-------|---|---------------------|---|-------|
| 1-2-3 | = | Power supply        | : | 24-48 |
|       |   | 110-220 V. 50/60Hz. |   |       |
|       |   | 24 V.d.c            |   |       |
| 4-5   | = | N.O. contact        |   |       |
|       |   | 5A-220Va.c.         |   |       |
| 5-6   | = | N.C. contact        |   |       |
|       |   | 5A-220Va.c.         |   |       |

Electric max. draw 4 W to 220Va.c.

### SPECIAL FEATURES

- Aluminium casting enclosure.
- Weight with bracket 1,7 Kg.
- Operating field 1-5000 Rpm.
- Temperature from -10 +80°C.
- Speed detection by a mechanically coupled impulse generator.
- Stainless steel shaft mounted on ball bearings.
- IP65 protection.
- Versions for various installation needs.
- Available with coupling fitting
- On request power supply at 24 V.d.c.



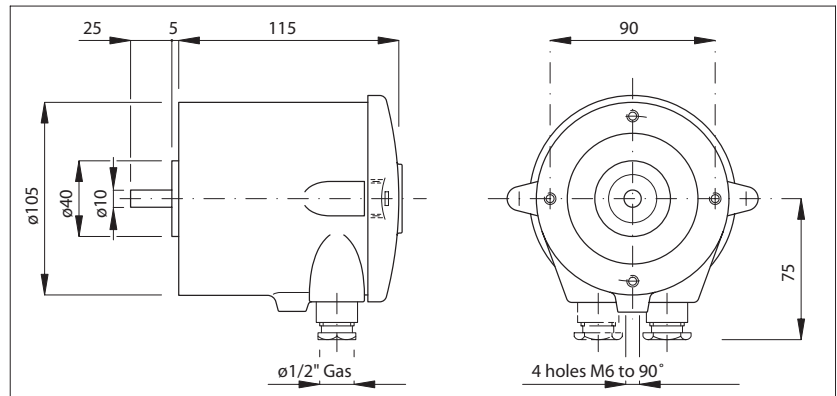
Because of its proven safety and reliability the SMD20 Digital Rev Monitor is the ideal solution for every industrial needs.



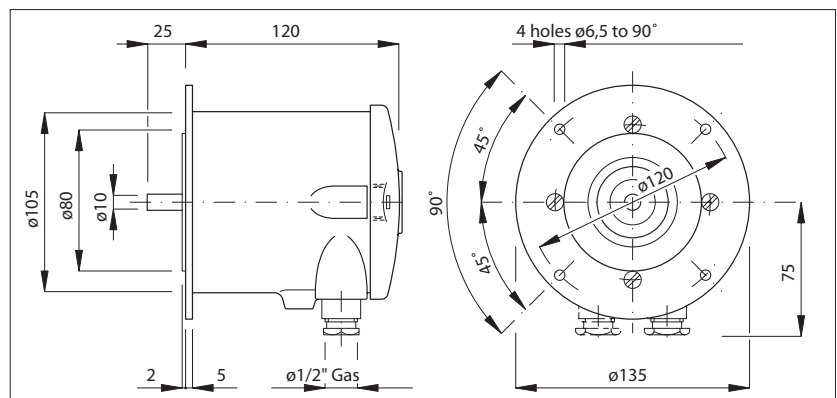
## TYPES OF INSTALLATION

CAMLOGIC Digital Rev Monitor can be installed in any position. Once connected to the power supply terminal block, the units are completely maintenance free.

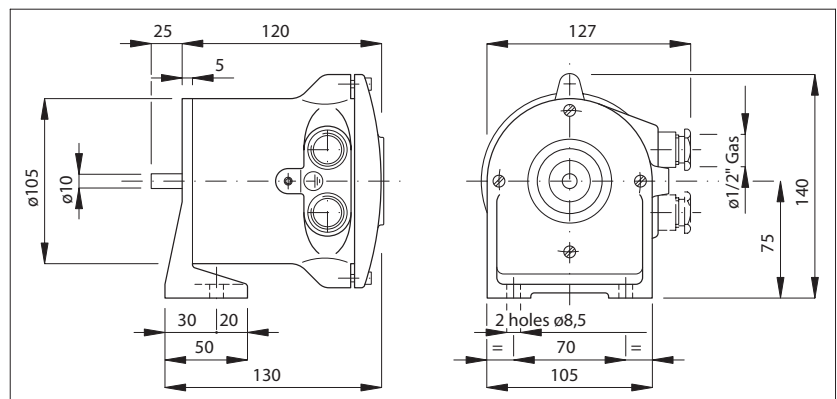
### DIRECT INSTALLATION VERSION



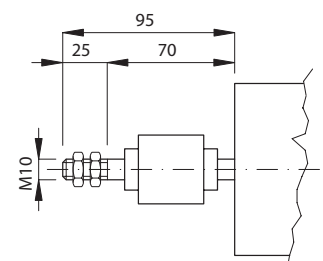
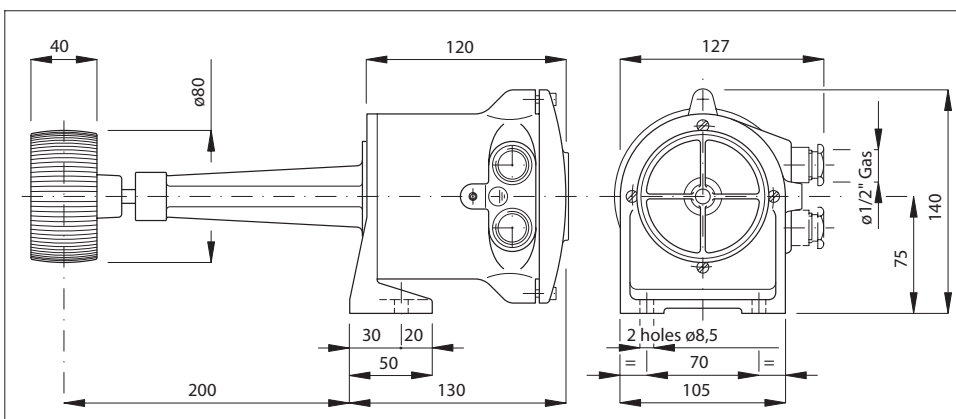
### FLANGED INSTALLATION



### INSTALLATION WITH SUPPORT BRACKET

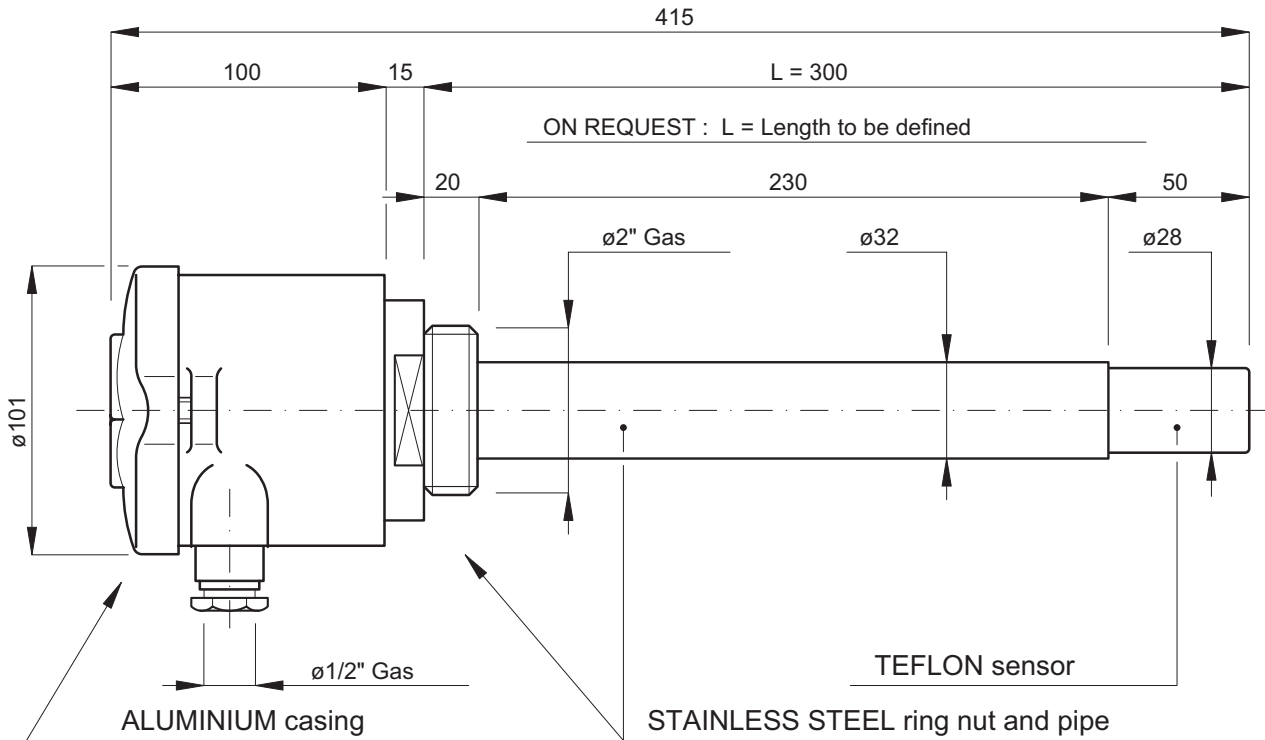


### CONVEYOR BELT VERSION



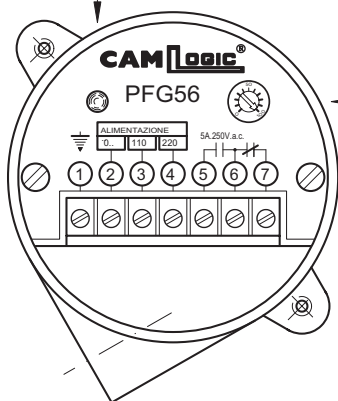
### COUPLING

Movement signal can be assembled with cable input turned at 90° intervals

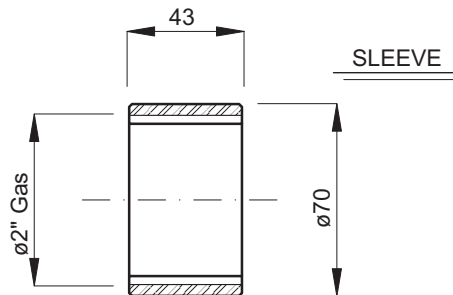


The trim stop clockwise position enables the static test on the equipment by exciting the relay ( maximum sensitivity )

LED lit with excited relay



IP65 Protection



### WIRING

- 1 - Ground
- 2 - Common power supply
- 3 - Power supply 110 Va.c.50/60Hz
- 4 - Power supply 220 Va.c.50/60Hz
- 5 - NO contact 5A/250Va.c.
- 6 - Common contacts
- 7 - NC contact 5A/250Va.c.

Electric draw 1 W to 220 Va.c.

Ambient temperature range -20 to +70°C

Weight : 2,100 Kg

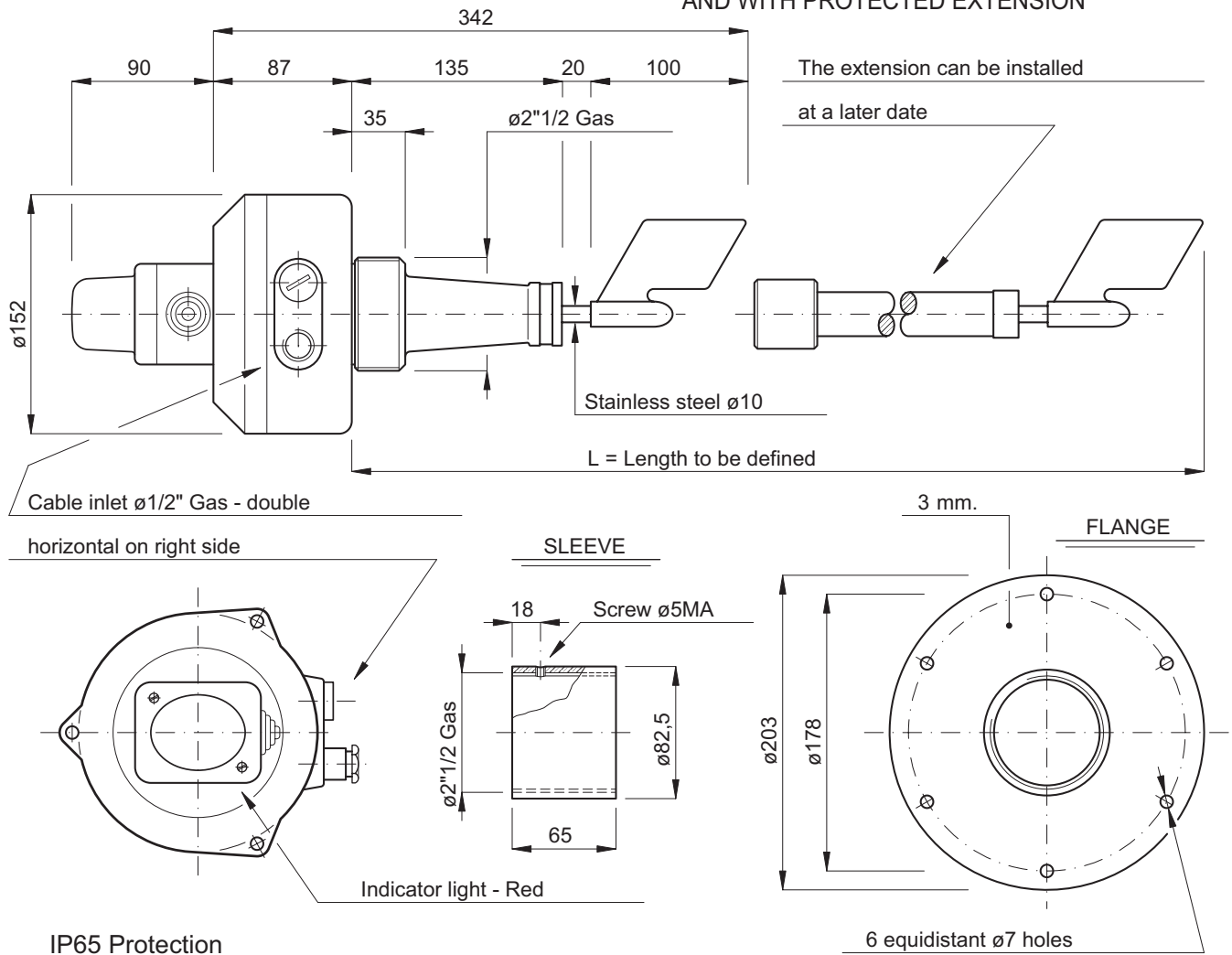
On request power supply at 24/48 V.

Maximum operational pressure 10 bar

Certificate number TÜV 03 ATEX 2374 X



VERSIONS WITH SLEEVE OR FLANGE  
AND WITH PROTECTED EXTENSION



IP65 Protection

### WIRING

- 1 - Common power supply
- 2 - Power supply 110 Va.c. 50/60 Hz
- 3 - Power supply 220 Va.c. 50/60 Hz
- 4 - Not used
- 5 - NC contact 10A/250 Va.c.
- 6 - Common contacts
- 7 - NO contact 10A/250 Va.c.

Ambient temperature range -20 to +70°C

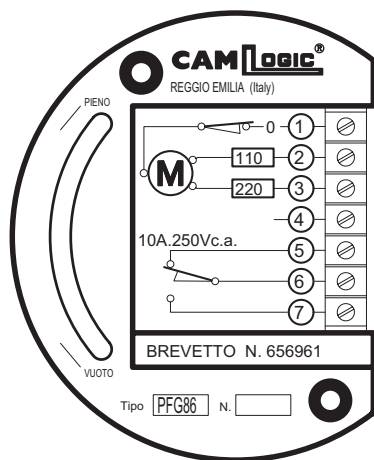
Weight : PFG86/L/M 2,550 Kg - PFG86/L/F 2,900 Kg

On request power supply at 24/48 Va.c. 50/60 Hz

On request power supply at 24 Vd.c.

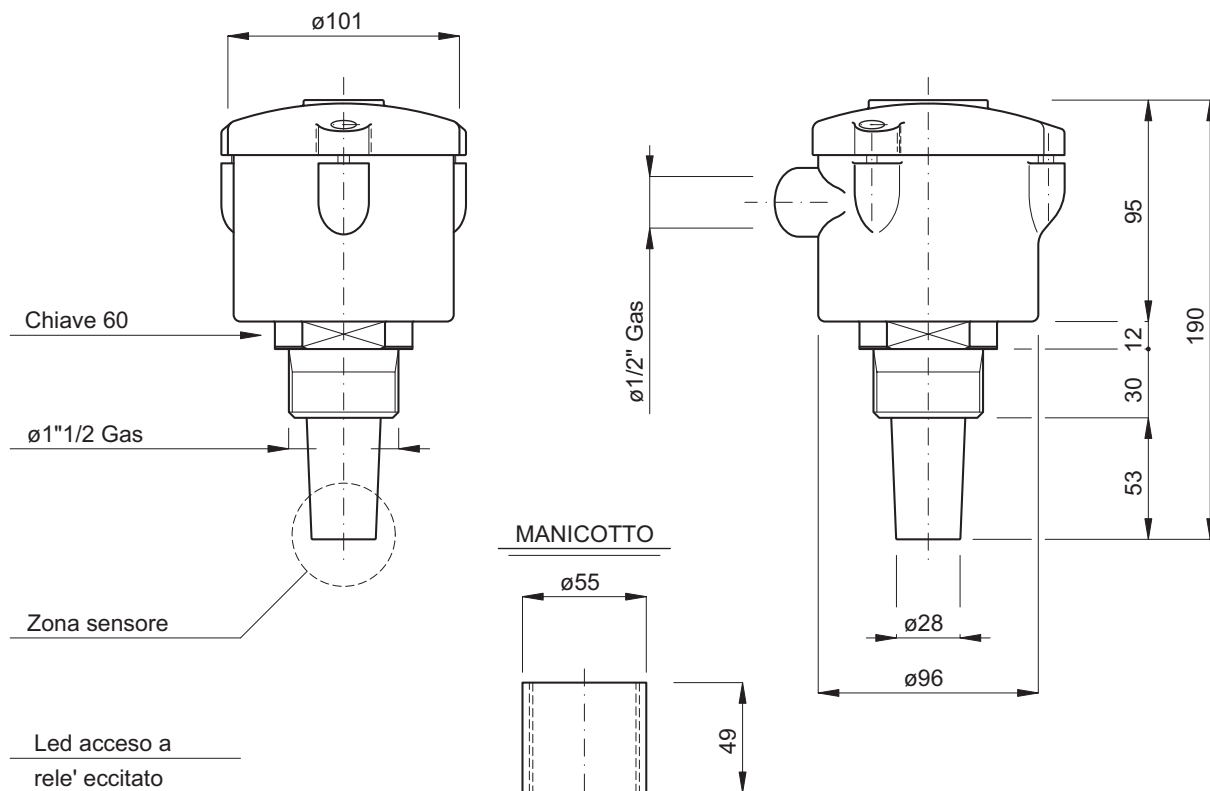
Maximum operational pressure 3 bar

CESI Certificate of conformity GR-92/029763

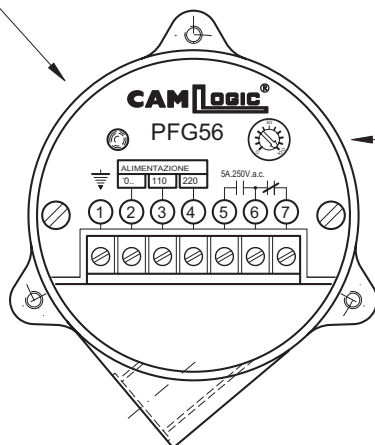


Electric motor draw 4 W

PFG86/L = with 2"1/2 Gas thread - PFG86/L/M = with 2"1/2 Gas sleeve - PFG86/L/F = with flange



Led acceso a  
rele' eccitato



Trim regolazione  
sensibilita'

Distanza di  
intervento 0-25 mm.

### CABLAGGIO

- |     |                                |
|-----|--------------------------------|
| 1 - | Terra                          |
| 2 - | Neutro alimentazione           |
| 3 - | Alimentazione 110 Vc.a.50/60Hz |
| 4 - | Alimentazione 220 Vc.a.50/60Hz |
| 5 - | Contatto N.A. 5A/250Vc.a.      |
| 6 - | Comune contatti                |
| 7 - | Contatto N.C. 5A/250Vc.a.      |

Assorbimento 1 W a 220 Vc.a.

Temperatura di esercizio da -20 a +70°C

Peso : 0,750 Kg

A richiesta alimentazione 24/48 V.

Pressione massima di esercizio 1,1 bar

Custodia in NYLON6+30%FV

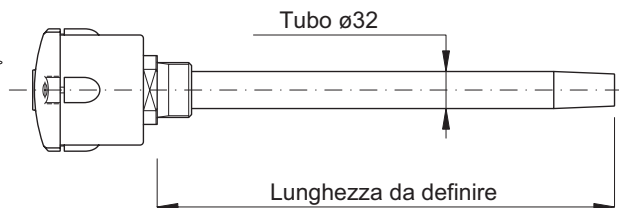
Sonda in PETP

Protezione IP65

La posizione a finecorsa  
del trim, in senso orario,  
permette la prova statica  
dell'apparecchio eccitando  
il rele'

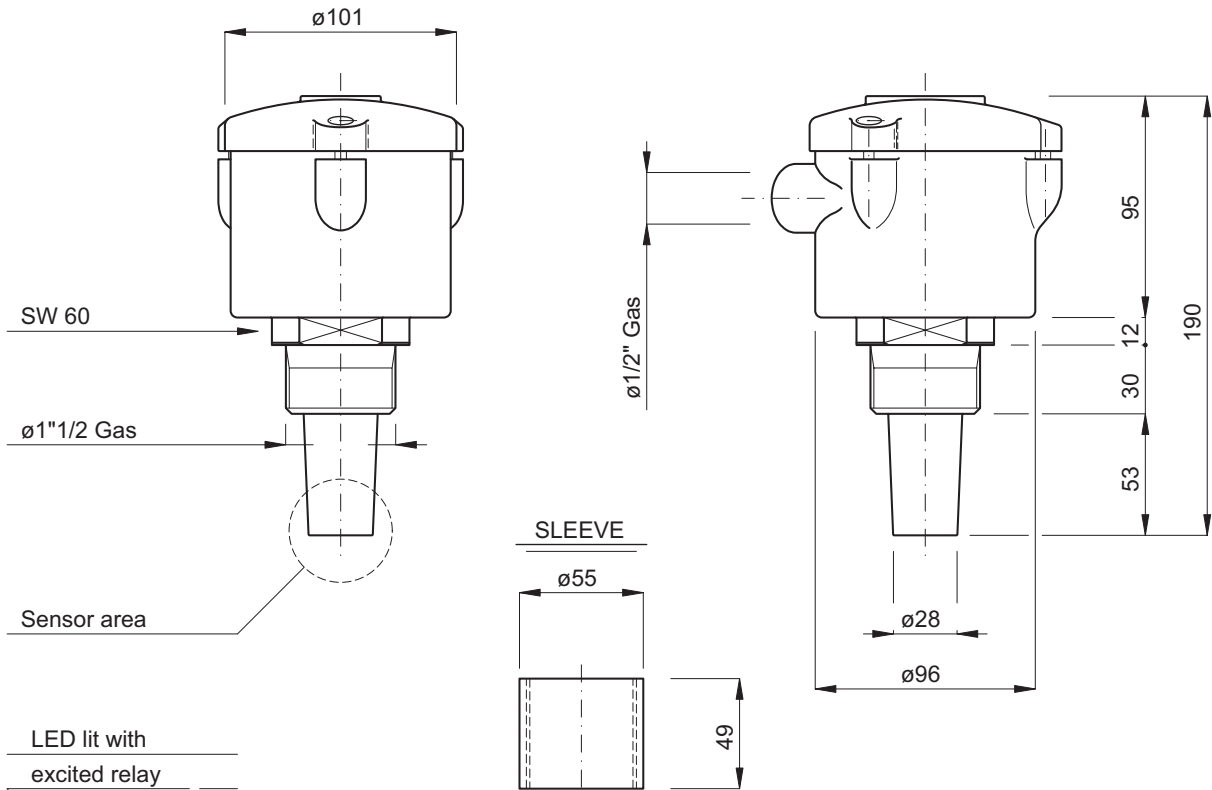
( massima sensibilita' )

VERSIONE CON  
PROLUNGA →

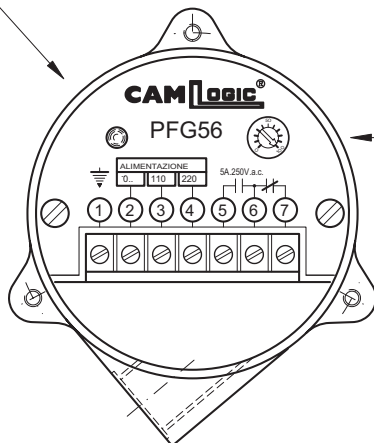


Numero di certificato TÜV 03 ATEX 2374 X





LED lit with  
excited relay



Sensitivity  
regulation trim

OPERATING DISTANCE  
0-25 mm.

### WIRING

- 1 - Ground
- 2 - Common power supply
- 3 - Power supply 110 Va.c.50/60Hz
- 4 - Power supply 220 Va.c.50/60Hz
- 5 - NO contact 5A/250Va.c.
- 6 - Common contacts
- 7 - NC contact 5A/250Va.c.

Electric draw 1 W to 220 Va.c.

Ambient temperature range -20 to +70°C

Weight : 0,750 Kg

On request power supply at 24/48 V.

Maximum operational pressure 8 bar

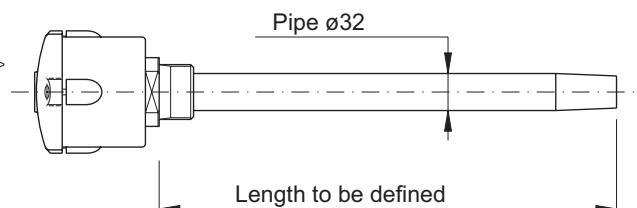
NYLON6+30%Glass-fiber casing

PETP sensor

IP65 Protection

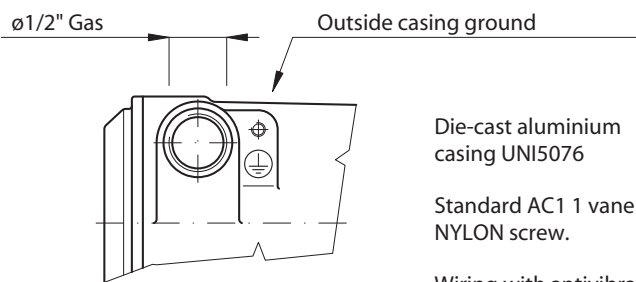
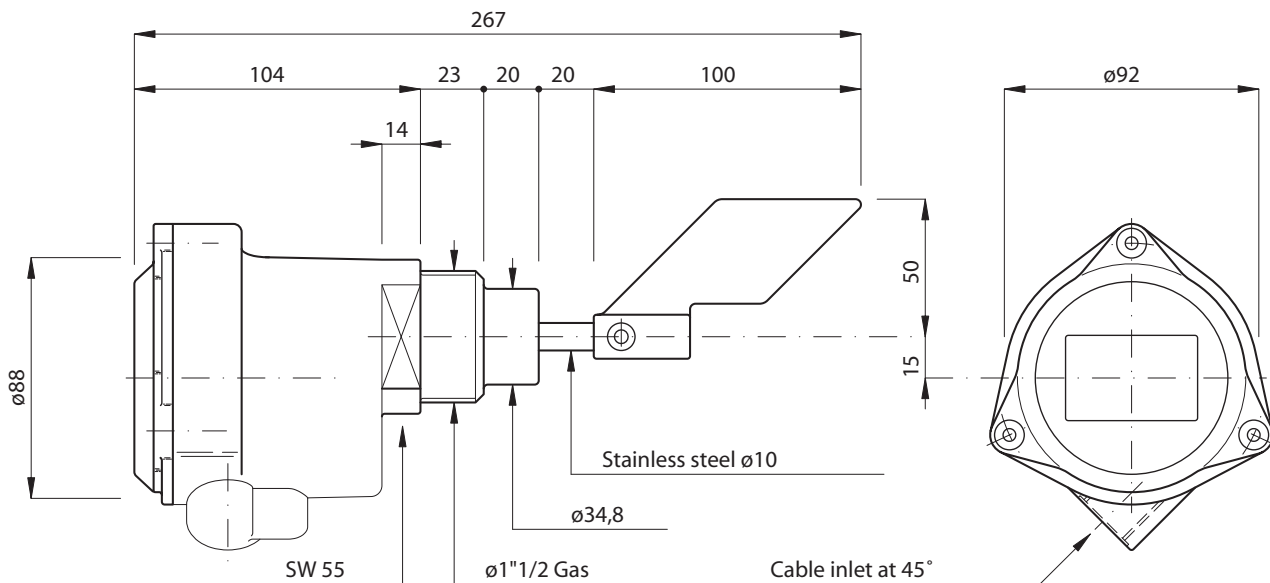
The trim stop clockwise  
position enables the static  
test on the equipment by  
exciting the relay  
( maximum sensitivity )

VERSION WITH  
EXTENSION →

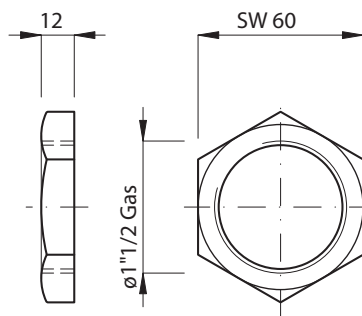


Certificate number TÜV 03 ATEX 2374 X

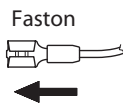
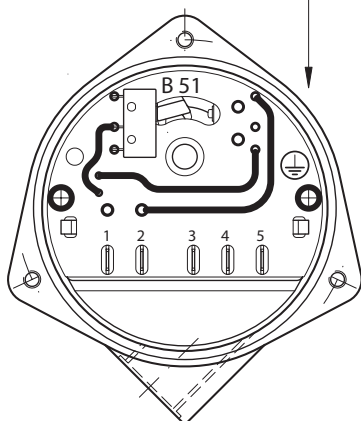




Die-cast aluminium casing UNI5076  
 Standard AC1 1 vane NYLON screw.  
 Wiring with antivibrations cable terminals (Faston).



Inside casing ground



### WIRING

- 1 - Common power supply
- 2 - Power supply 110 Va.c. 50/60 Hz
- 3 - NC contact 5A/250 Va.c.
- 4 - Common contacts
- 5 - NO contact 5A/250 Va.c.

Electric motor draw 4 W

Ambient temperature range -20 to +70°C

Weight: 1,200 Kg

On request power supply at 24 - 220 Va.c. 50/60Hz - And also at 24 Vd.c.

IP65 Protection

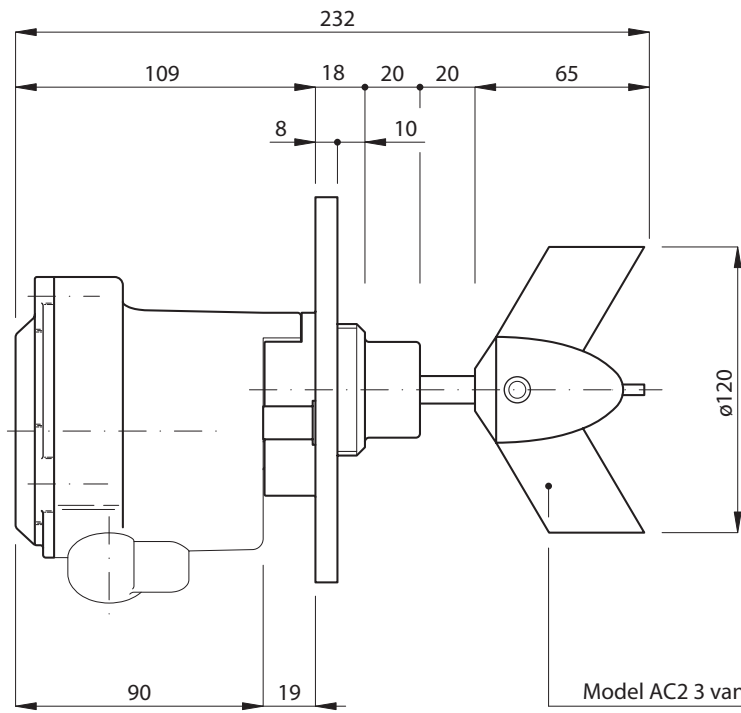
Maximum operational pressure 3 bar

SMALL-SIZED BLADED LEVEL GAUGE PARTICULARLY SUITABLE FOR USE ON SMALL TANKS OR BATCHING CELLS.

STANDARD ASSEMBLY WITH 1"1/2 GAS THREADED NUT

Certificate number TÜV 03 ATEX 2374 X





Die-casting aluminium flange.

Make in two versions:  
 $\varnothing 140$  and  $\varnothing 105$ mm.

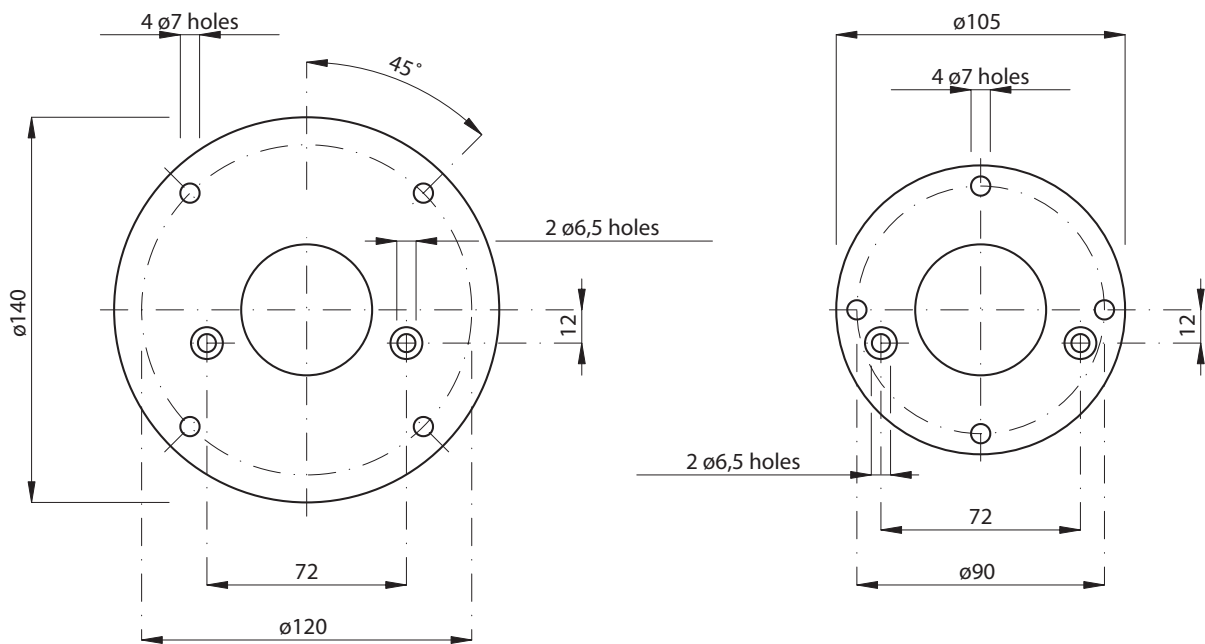
Maximum dimension hole on counterflange:  
 for flange  $\varnothing 140 = \varnothing 105$   
 for flange  $\varnothing 105 = \varnothing 75$

Existing space between flange and level gauge casing allows the M6x12 bolts assemblage.

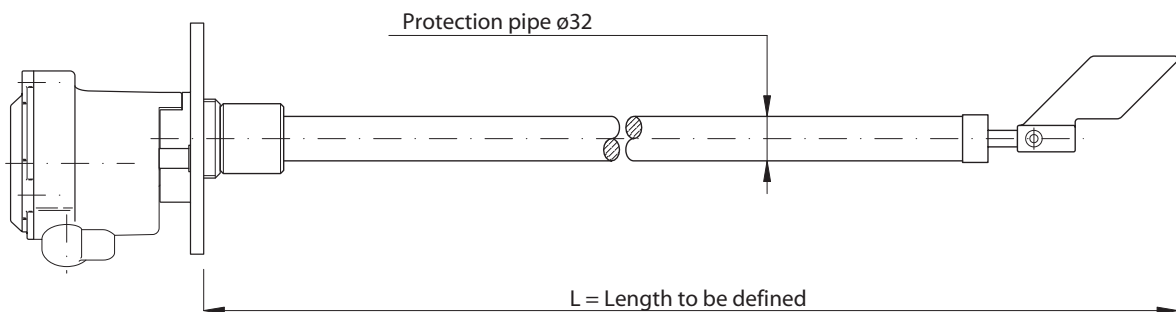
Flange can be installed at a later date.

The flange is fixed on level gauge casing by two M6 screws.

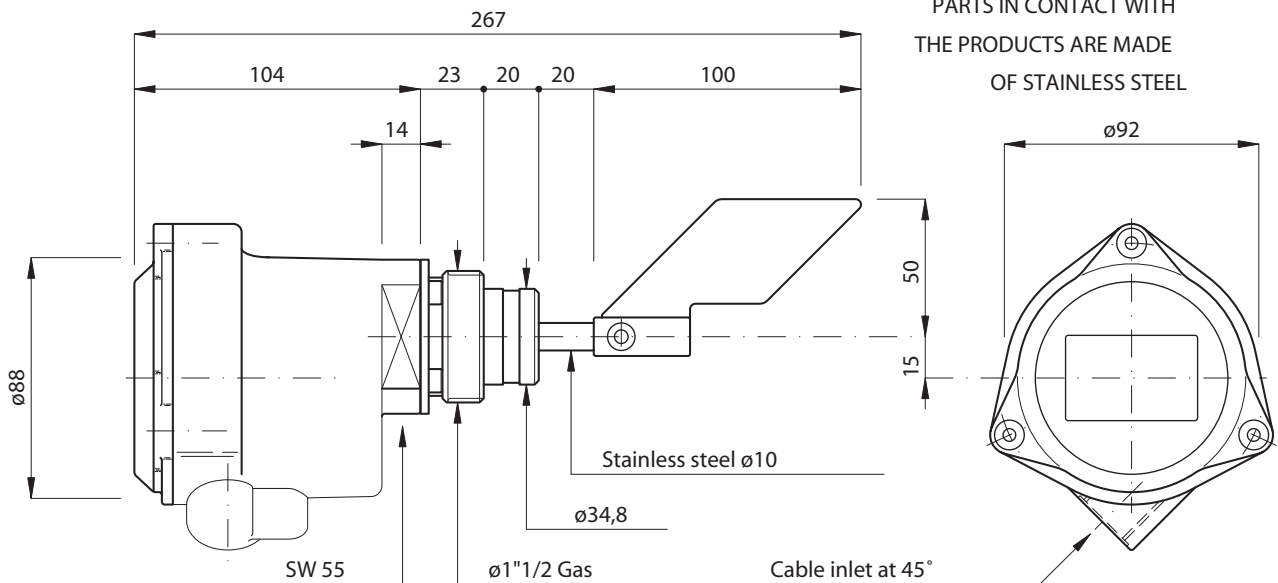
Model AC2 3 vane NYLON screw



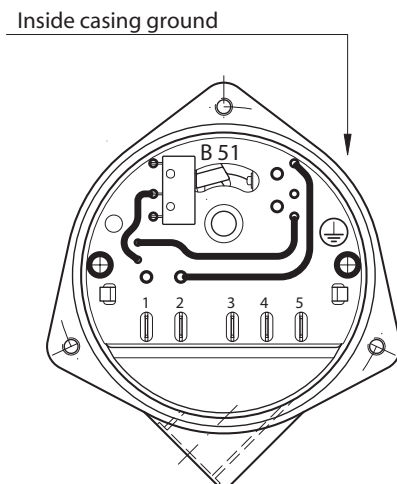
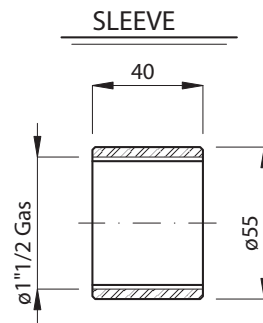
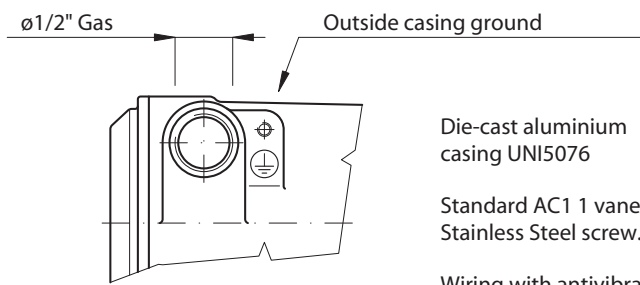
Level gauge can be delivered with extension, with or without protection, the length is defined by the buyer during the order.



The extension can be installed at a later date



PARTS IN CONTACT WITH THE PRODUCTS ARE MADE OF STAINLESS STEEL



### WIRING

- |     |                                 |
|-----|---------------------------------|
| 1 - | Common power supply             |
| 2 - | Power supply 110 Va.c. 50/60 Hz |
| 3 - | NC contact 5A/250 Va.c.         |
| 4 - | Common contacts                 |
| 5 - | NO contact 5A/250 Va.c.         |

Electric motor draw 4 W

Ambient temperature range -20 to +70°C

Weight: 1,200 Kg

On request power supply at 24 - 220 Va.c. 50/60Hz - And also at 24 Vd.c.

IP65 Protection

Maximum operational pressure 3 bar

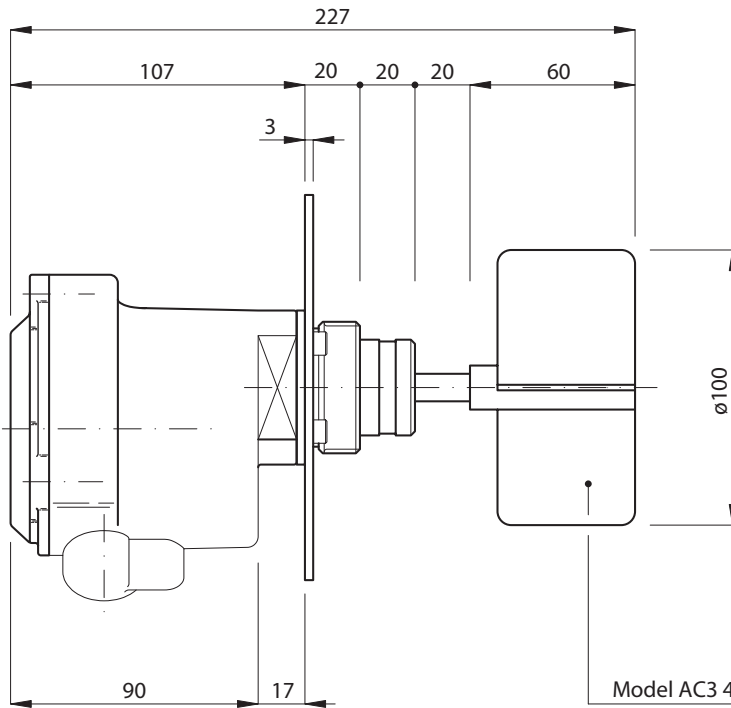
SMALL-SIZED BLADED LEVEL GAUGE PARTICULARLY SUITABLE FOR USE ON SMALL TANKS OR BATCHING CELLS.

STANDARD ASSEMBLY WITH 1"1/2 GAS THREADED SLEEVE

Certificate number TÜV 03 ATEX 2374 X







Stainless steel flange.

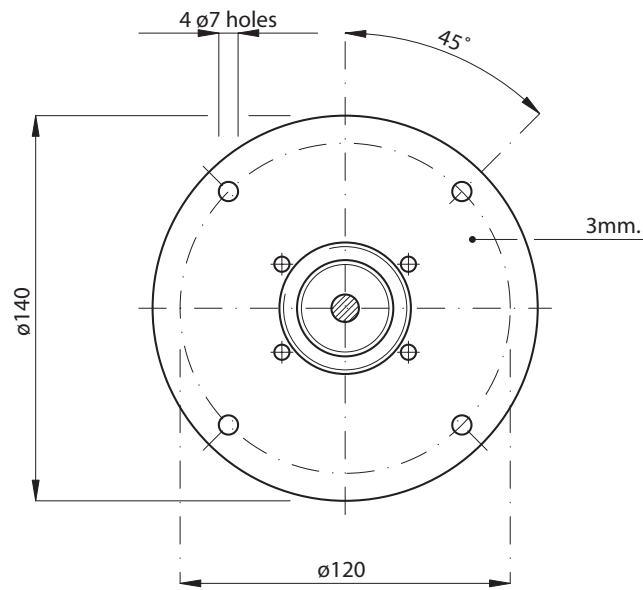
Maximum dimension hole on counterflange =  $\varnothing 105$ .

Existing space between flange and level gauge casing allows the M6x12 bolts assemblage.

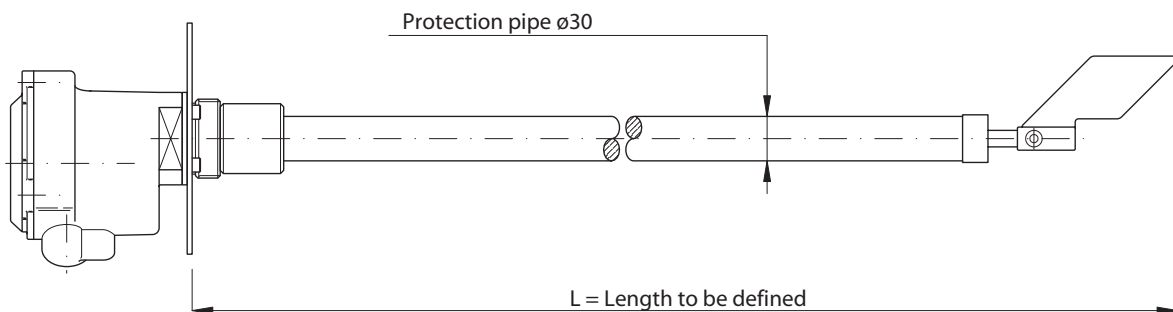
Flange can be installed at a later date.

The flange is fixed on level gauge casing by four M5 screws.

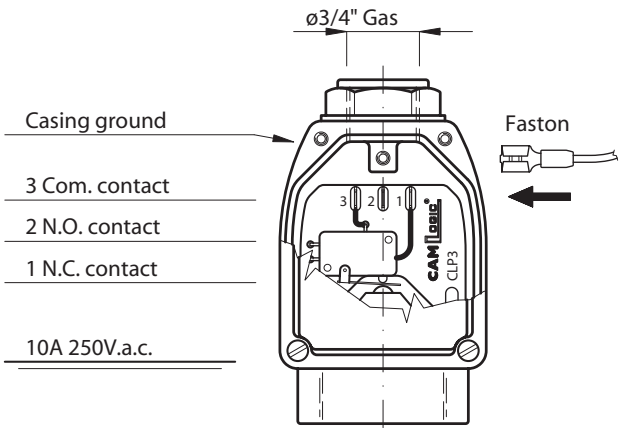
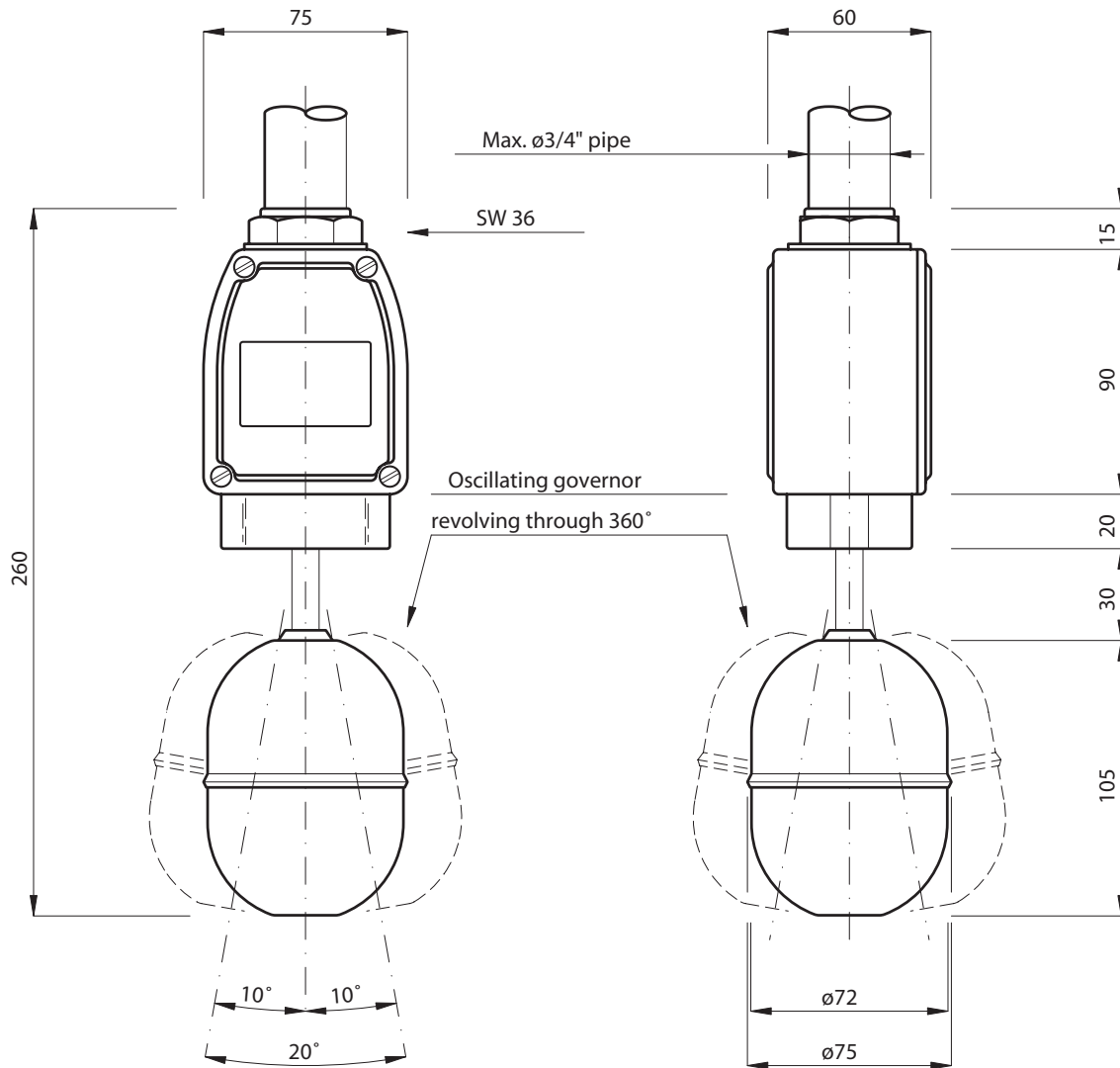
Model AC3 4 vane Stainless steel screw



Level gauge can be delivered with extension, with or without protection, the length is defined by the buyer during the order.



The extension can be installed at a later date



Mount by hanging through a pipe with 3/4" Gas threaded coupling which can be further used as a raceway for electrical conductors.

Assembly is achieved by means of a 100 mm. diameter hole or through a quadrangular opening measuring 80x80 mm.

Vertical installation maintains constant sensitivity in all directions.

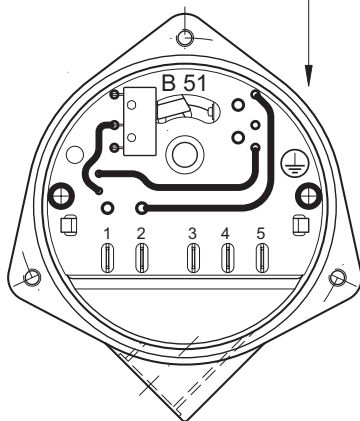
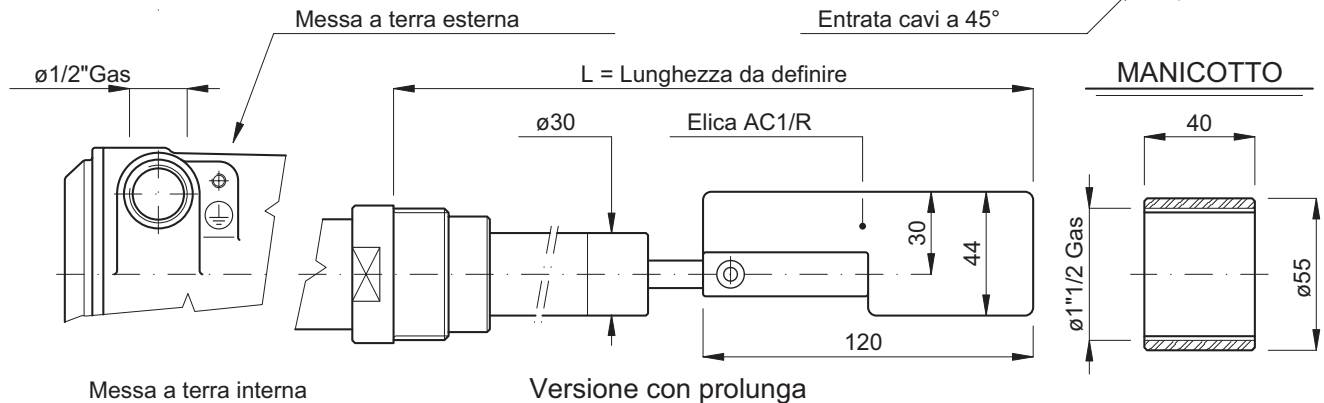
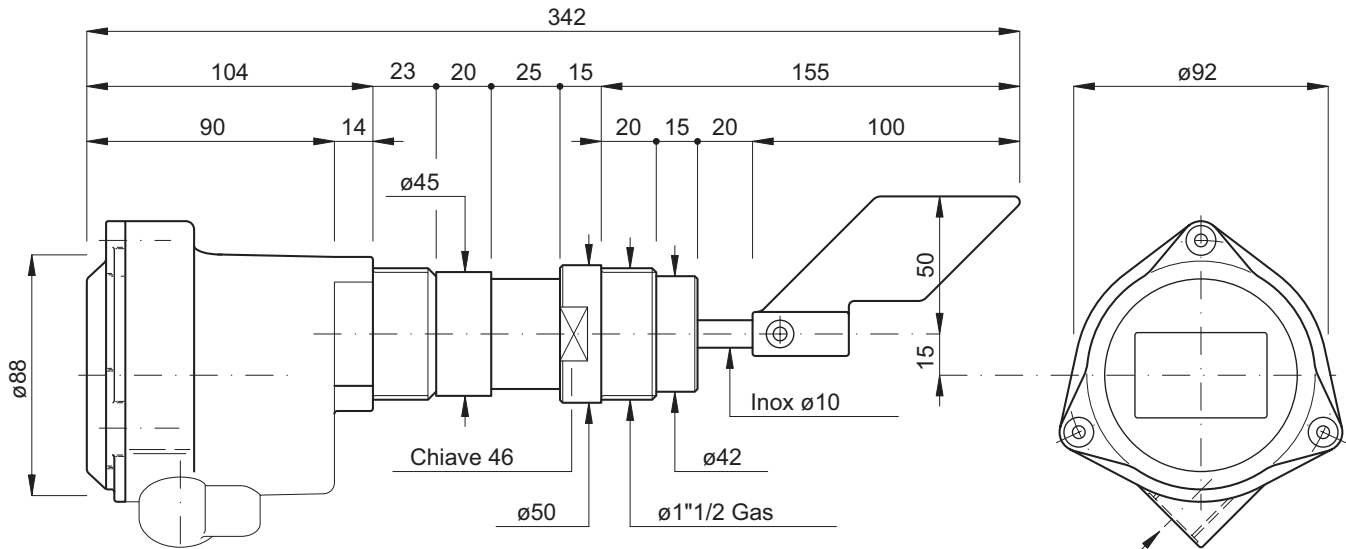
Wiring with antivibrations cable terminals (Faston).

Die-cast aluminium casing UNI5076

Weight : 0,800 Kg

IP65 Protection

Ambient temperature range -10 to +80°C



### CABLAGGIO

- |     |                                      |
|-----|--------------------------------------|
| 1 - | Neutro alimentazione                 |
| 2 - | Alimentazione 110 Vc.a. 50/60 Hz     |
| 3 - | Contatto di scambio N.C. 5A/250Vc.a. |
| 4 - | Comune contatti                      |
| 5 - | Contatto di scambio N.A. 5A/250Vc.a. |

Assorbimento motorino 4 W

Temperatura di esercizio da -20 a +80°C

Peso : 1,200 Kg

Aliment. a richiesta: 24-220 Vc.a. 50/60Hz

In corrente continua 24 Vc.c.

Pressione massima di esercizio 1,1 bar

Protezione IP65

Temperatura massima 200°C

Corpo indicatore in pressofusione di alluminio Lega UNI5076

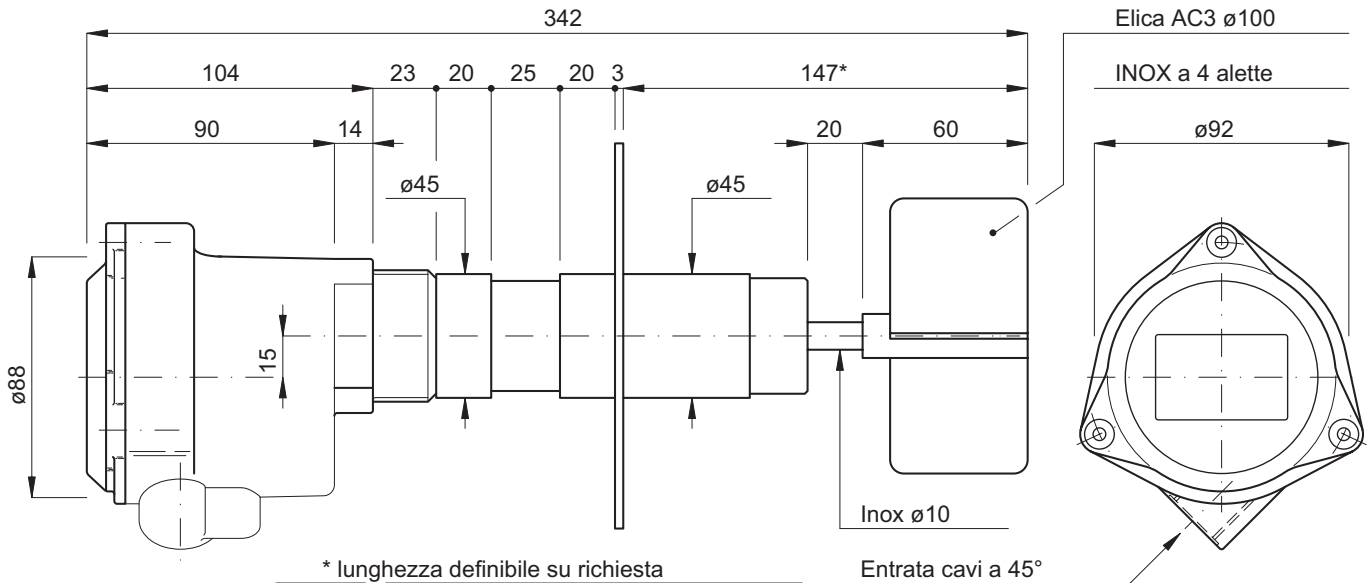
Elica standard AC1 in acc. INOX a una aletta.

Cablaggio con capicorda Faston antivibrazioni.

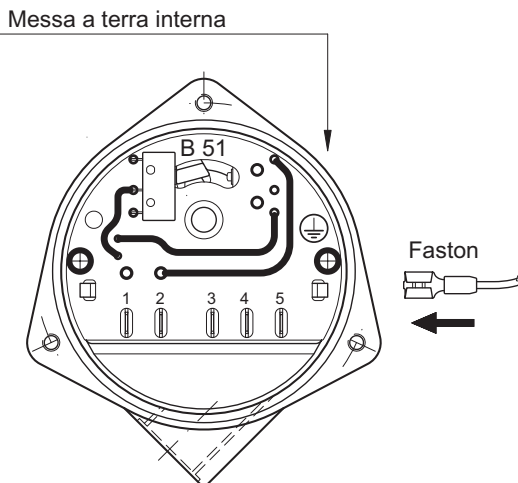
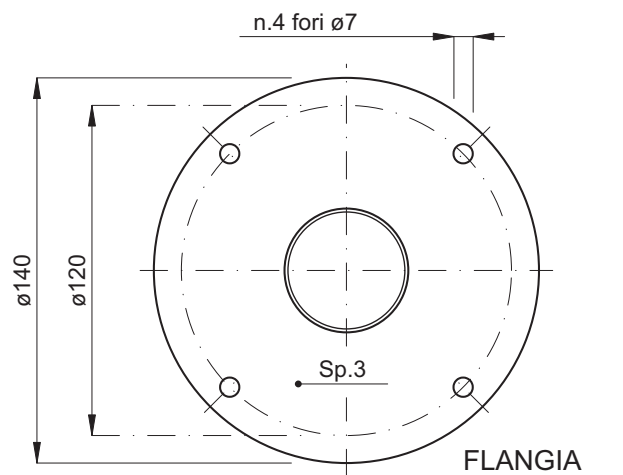
INDICATORE DI LIVELLO AD ELICA DI RIDOTTE DIMENSIONI, PARTICOLARMENTE INDICATO PER IL MONTAGGIO SU PICCOLI SERBATOI O CELLE DI DOSATURA.

VERSIONE DI MONTAGGIO STANDARD CON MANICOTTO FILETTATO DA 1"1/2 GAS  
TUTTE LE PARTI A CONTATTO CON IL PRODOTTO SONO COSTRUITE IN ACCIAIO INOX





\* lunghezza definibile su richiesta



### CABLAGGIO

- |     |                                      |
|-----|--------------------------------------|
| 1 - | Neutro alimentazione                 |
| 2 - | Alimentazione 110 Vc.a. 50/60 Hz     |
| 3 - | Contatto di scambio N.C. 5A/250Vc.a. |
| 4 - | Comune contatti                      |
| 5 - | Contatto di scambio N.A. 5A/250Vc.a. |

Assorbimento motorino 4 W

Temperatura di esercizio da -20 a +80°C

Peso : 1,200 Kg

Aliment. a richiesta: 24-220 Vc.a. 50/60Hz

In corrente continua 24 Vc.c.

Pressione massima di esercizio 1,1 bar

Protezione IP65

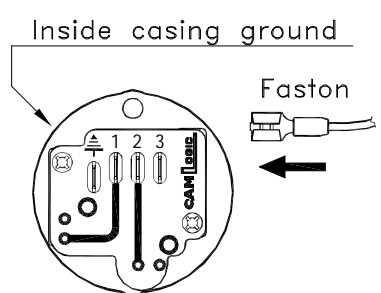
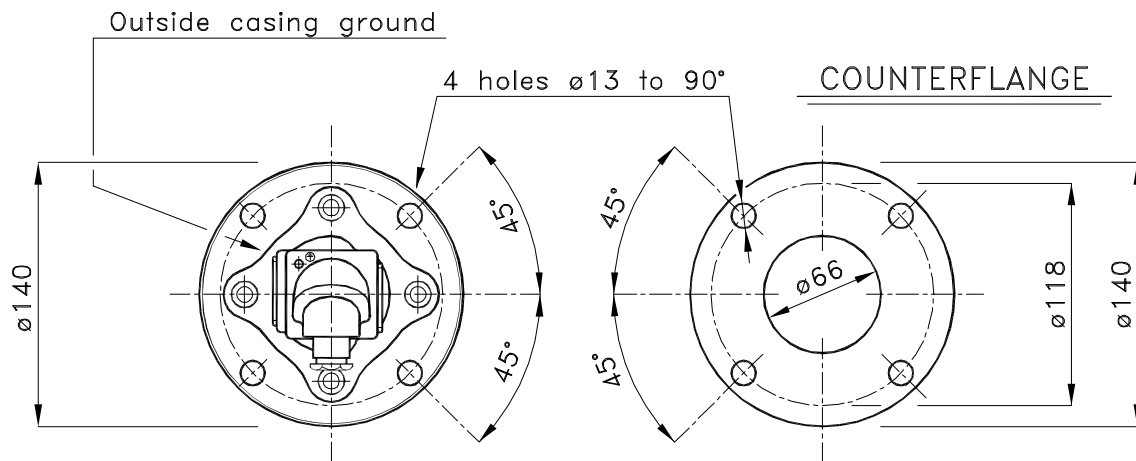
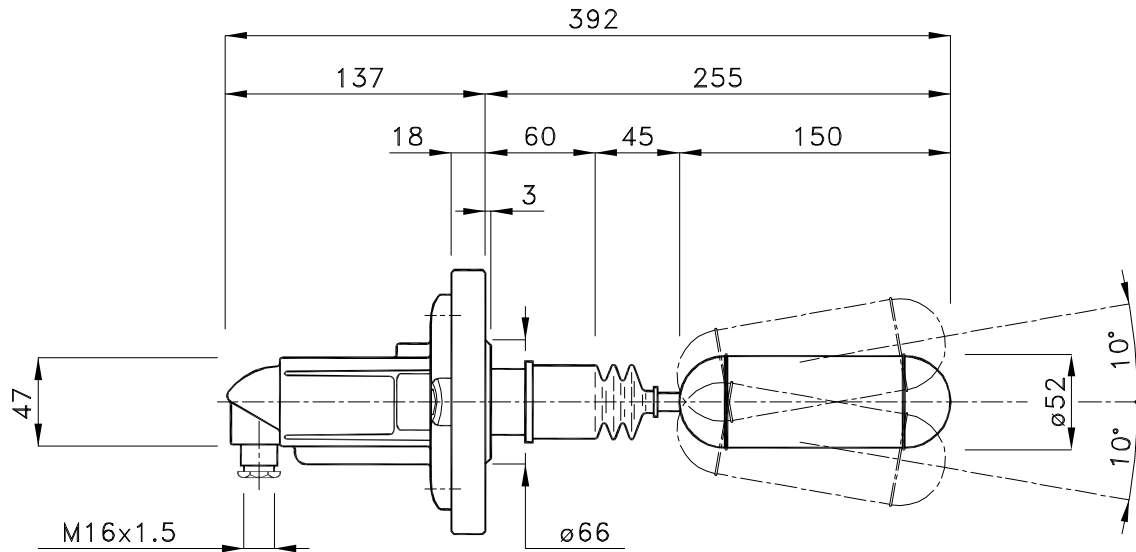
Temperatura massima 200°C

Numero di certificato TÜV 03 ATEX 2374 X



INDICATORE DI LIVELLO AD ELICA DI RIDOTTE DIMENSIONI, PARTICOLARMENTE INDICATO PER IL MONTAGGIO SU PICCOLI SERBATOI O CELLE DI DOSATURA.

TUTTE LE PARTI A CONTATTO CON IL PRODOTTO SONO COSTRUITE IN ACCIAIO INOX

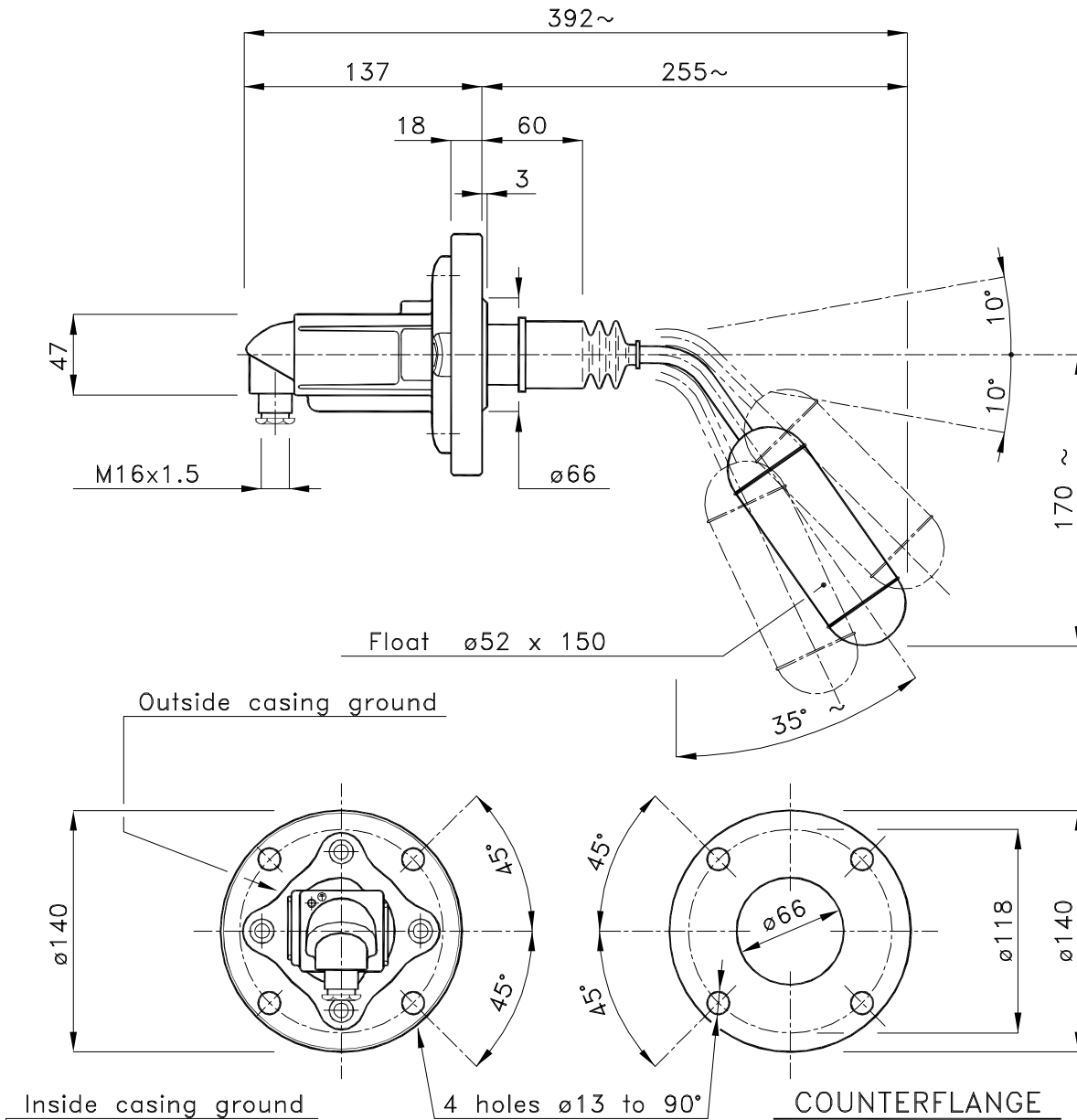


- 1 N.O. contact
- 2 Com. contact
- 3 N.C. contact
- 10A 250V.a.c.

- Die-cast aluminium casing UNI5076
- Flange and float in Stainless Steel 18/10
- Articulation covering manufactured in rubber
- Horizontal assembly with flange
- Wiring with antivibrations cable terminals (Faston)
- Ambient temperature range -10 to +120 °C
- Weight : 2.900 Kg      Max pressure 25 bar

Protection IP65

WATERPROOFING IS 100 % GUARANTEED – THE FLOAT MOVEMENT IS TRASMITTED BY MEANS OF MAGNETIC INDUCTION – THERE ISN'T ANY LIQUID PASSAGE BETWEEN THE TANK AND THE GAUGE INNER PART.



- 1 N.O. contact
- 2 Com. contact
- 3 N.C. contact
- 10A 250V.a.c.

Die-cast aluminium casing UNI5076

Flange and float in Stainless Steel 18/10

Articulation covering manufactured in rubber

Horizontal assembly with flange

Wiring with antivibrations cable terminals (Faston)

Ambient temperature range -10 to +120 °C

Weight : 2.900 Kg      Max pressure 25 bar

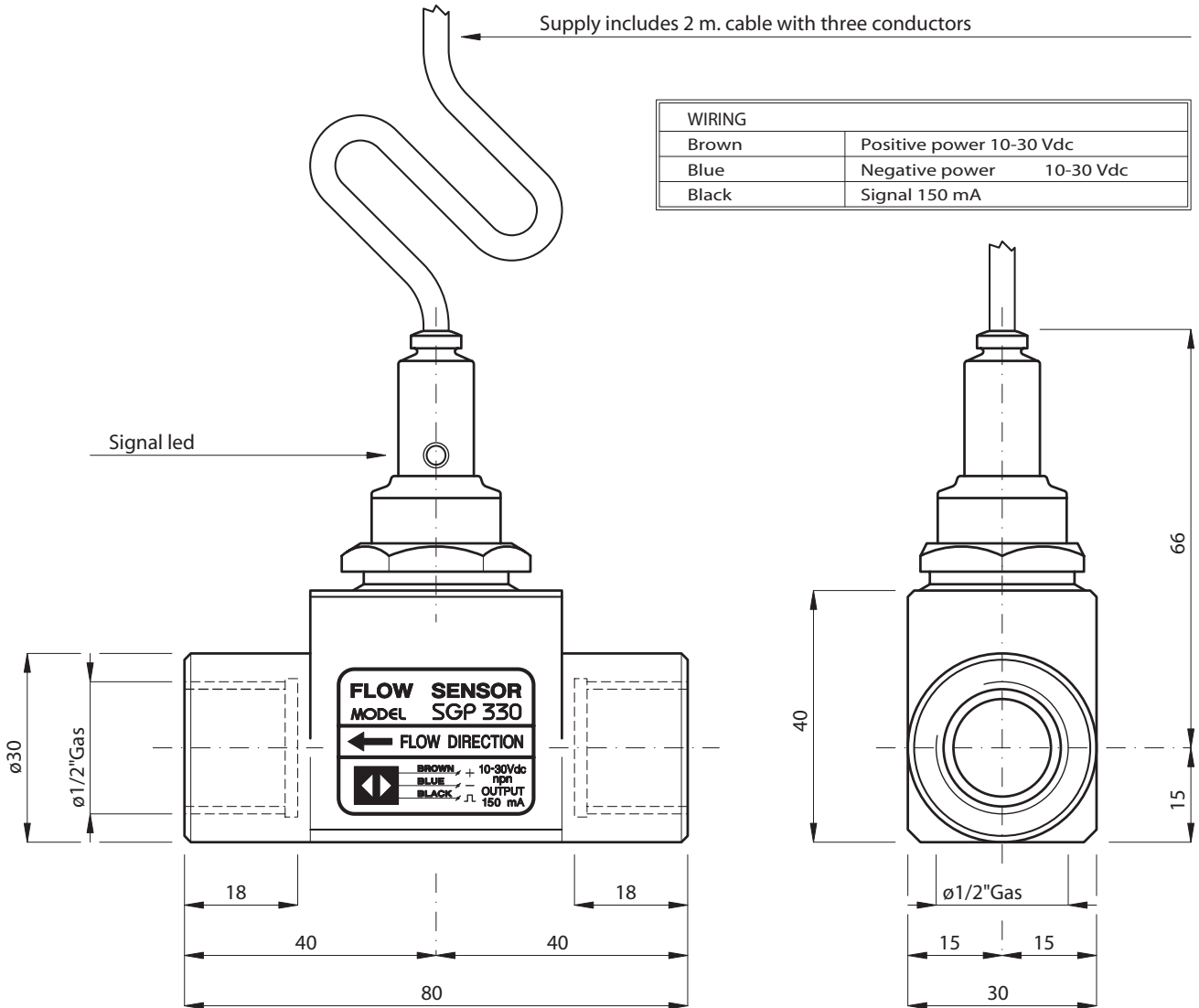
Protection IP65

WATERPROOFING IS 100 % GUARANTEED – THE FLOAT MOVEMENT IS TRASMITTED BY MEANS OF MAGNETIC INDUCTION – THERE ISN'T ANY LIQUID PASSAGE BETWEEN THE TANK AND THE GAUGE INNER PART.

## FLOW SENSORS vast range, long-lasting

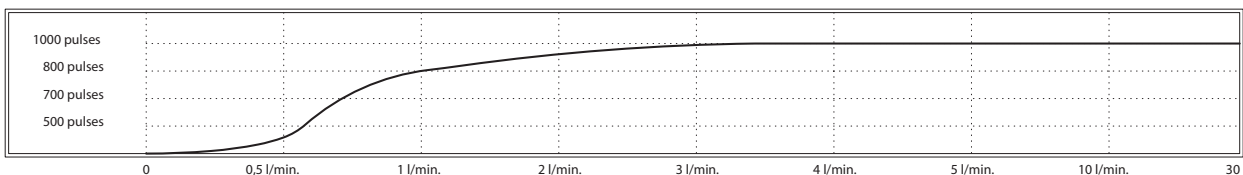
Supply includes 2 m. cable with three conductors

WIRING	
Brown	Positive power 10-30 Vdc
Blue	Negative power 10-30 Vdc
Black	Signal 150 mA



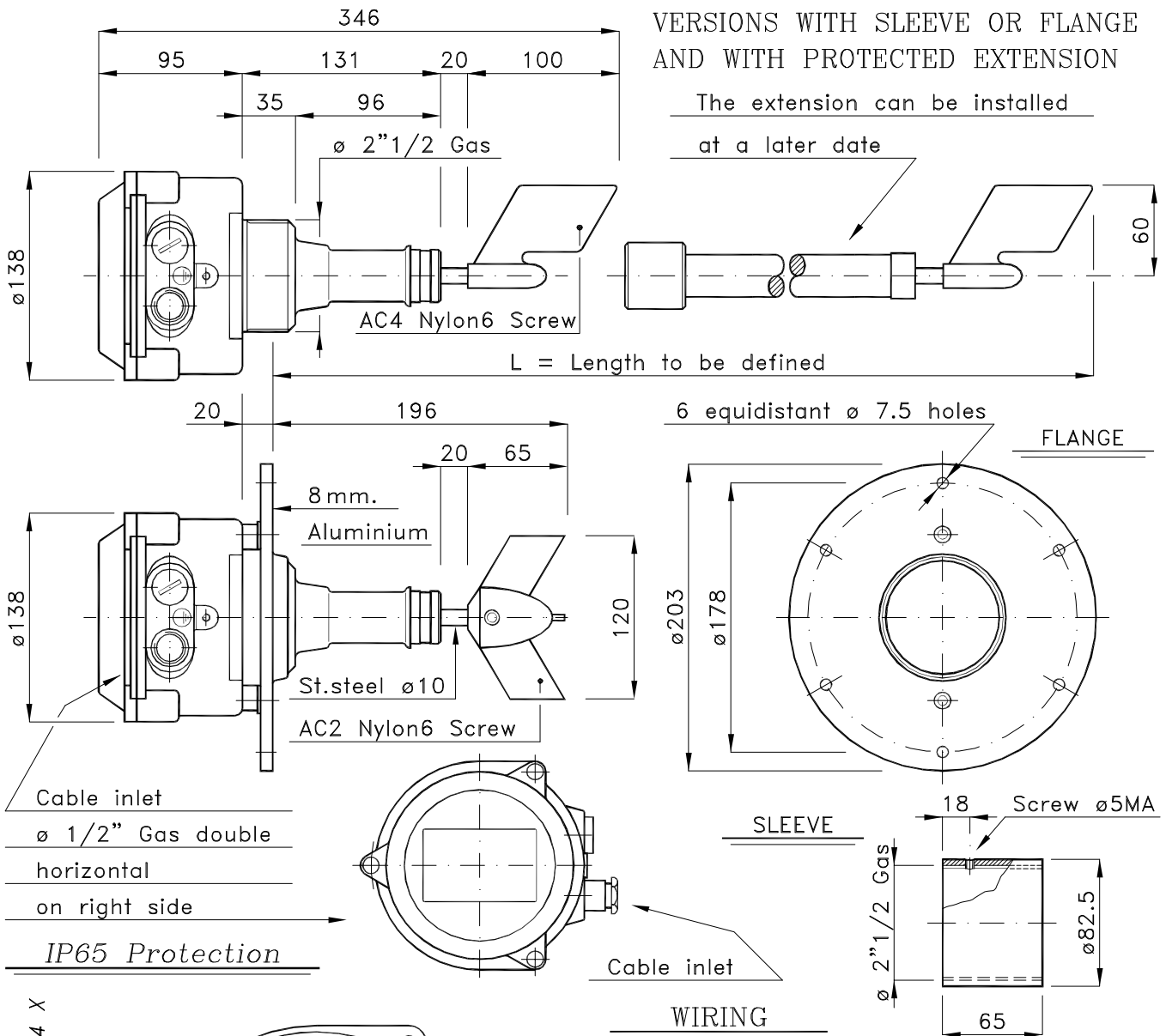
SPECIFICATIONS	
Housing	Brass with chromium plating
Turbine system	Polyetherimide
Sensor head	Polyetherimide
Connection thread	1/2"Gas female thread - double
Nominal pressure	16 bar
Continuous operating temperature	90°C
Permissible peak temperature	120°C

FLOW MEASUREMENT	SGP330	SGP331
Measurement range	0,5..... 30 l/min.	
Measuring accuracy	0,5% of max. value in range 3.... 30 l/min.	
Pulse rate	1000 pulses/l	
Signal form	NPN 10..... 30 Vdc	PNP 10..... 30 Vdc

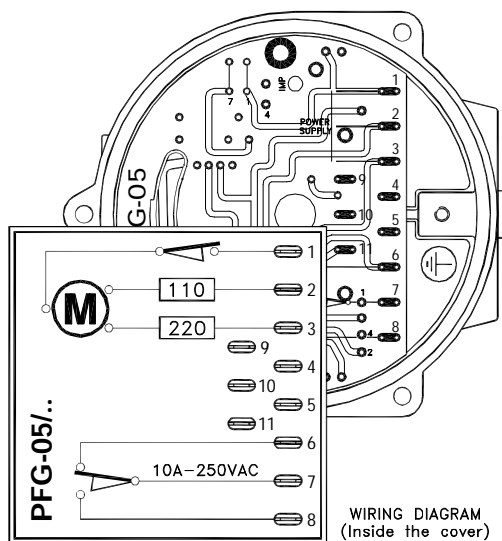


VERSIONS WITH SLEEVE OR FLANGE  
AND WITH PROTECTED EXTENSION

The extension can be installed  
at a later date



Certificate number TÜV 03 ATEX 2374 X



- 1 - Common power supply
- 2 - Power supply 110 Va.c. 50/60 Hz
- 3 - Power supply 220 Va.c. 50/60 Hz
- 6 - NC contact 10A/250 Va.c.
- 7 - Common contacts
- 8 - NO contact 10A/250 Va.c.

Ambient temperature range -20 to +70 °C

Weight : PFG-05 1.700 Kg - PFG-05/F 2.200 Kg

On request power supply at 24/48 Va.c.  
50/60 Hz or power supply at 24 Vd.c.

Electric motor draw 4 W

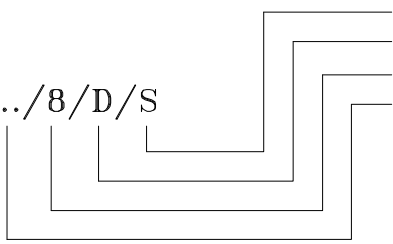
Maximum operational pressure 1.1 bar



PFG-05 = with 2"1/2 Gas thread - PFG-05/F = with flange



PFG-05/././8/D/S



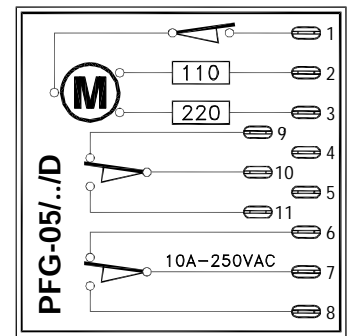
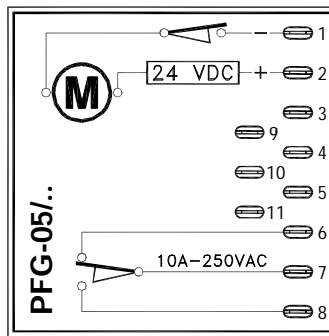
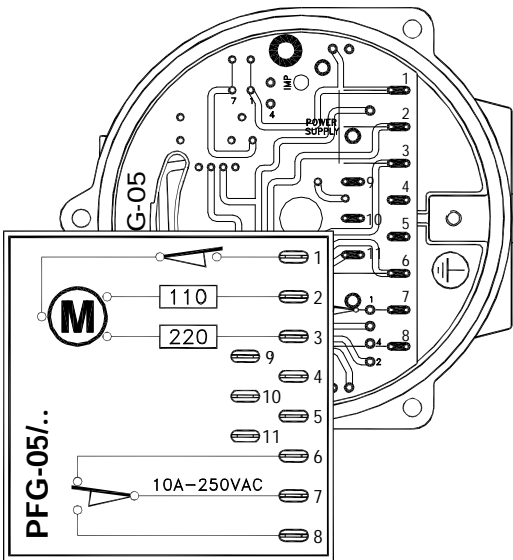
With relay voltage control  
 With double NO/NC contact  
 With control rotating shaft – output 8 pulses/minute  
 Typology level gauge and power supply

- no reference
- With  $\varnothing 2\frac{1}{2}$  Gas threaded connection
  - M - With  $\varnothing 2\frac{1}{2}$  Gas threaded sleeve connection
  - F - With flange connection
  - C - Short
  - X - Parts in contact with the products in Stainless steel
  - AT - For high temperature ( $\leq 200^{\circ}\text{C}$ )
  - V - With double flange connection

Power supply: 110/220 – 24/48 Va.c. 50/60Hz – 24Vd.c.

The voltage control acts on one power supply on request

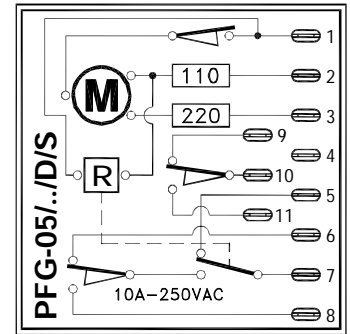
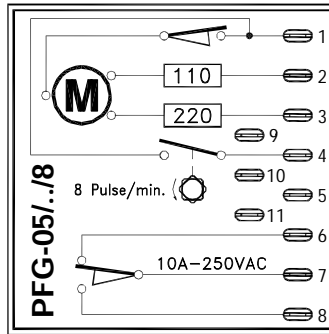
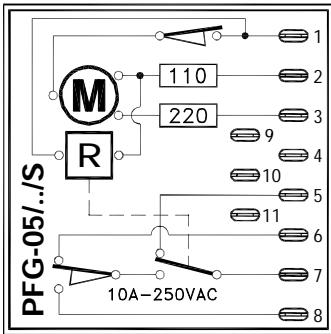
The level gauge can be assembled with different typologies of wiring as follows:



AC Power supply  
NO/NC contact

DC Power supply  
NO/NC contact

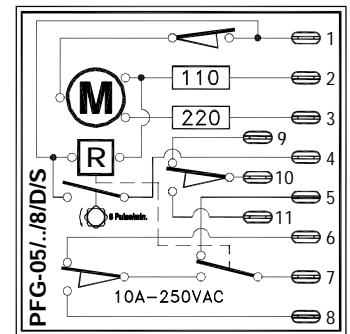
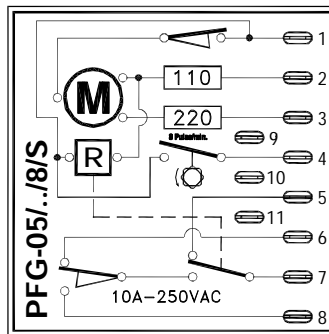
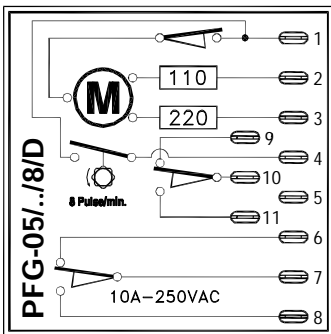
AC or DC Power supply  
Double NO/NC contact



AC or DC Power supply  
NO/NC contact  
Voltage control on one power supply

AC or DC Power supply  
NO/NC contact  
Control rotating shaft with  
output 8 pulses/minute

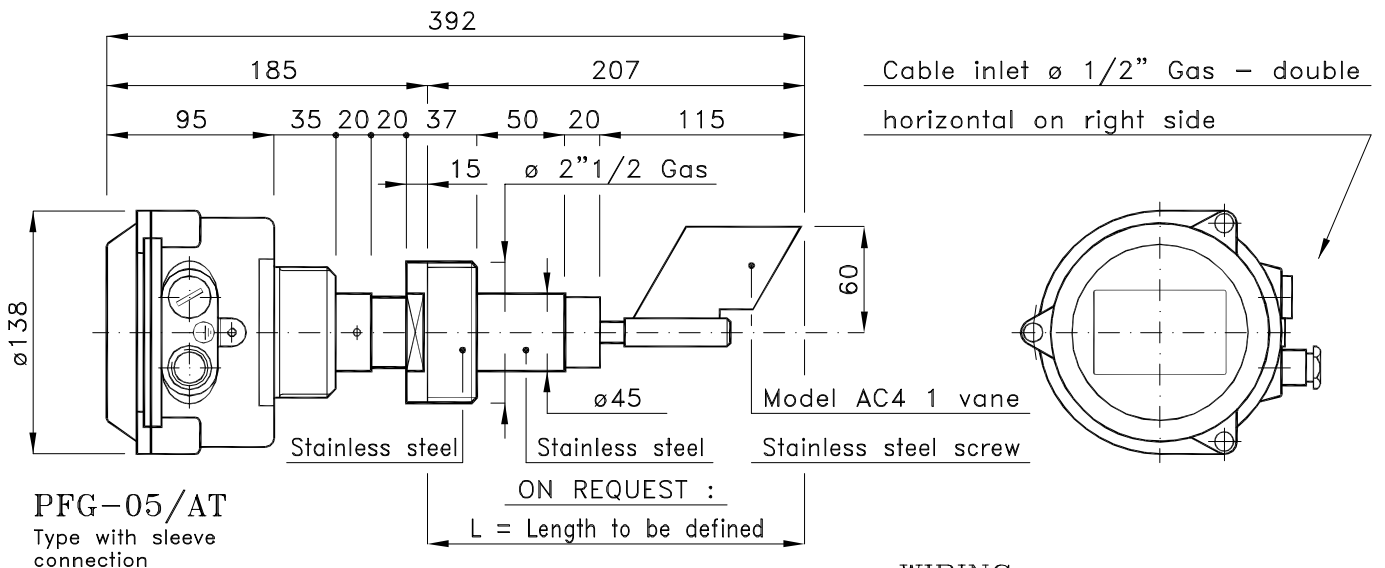
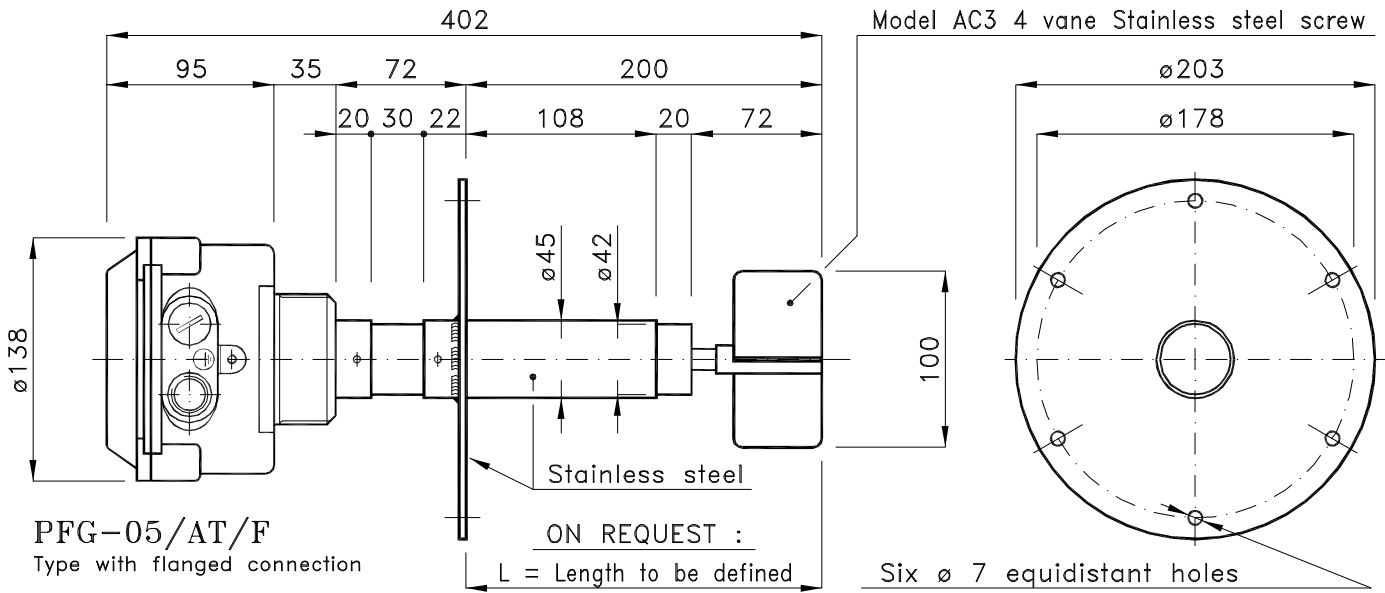
AC or DC Power supply  
Double NO/NC contact  
Voltage control on one power supply



AC or DC Power supply  
Double NO/NC contact  
Control rotating shaft with  
output 8 pulses/minute

AC or DC Power supply  
NO/NC contact  
Control rotating shaft with  
output 8 pulses/minute  
Voltage control on one power supply

AC or DC Power supply  
Double NO/NC contact  
Control rotating shaft with  
output 8 pulses/minute  
Voltage control on one power supply



### WIRING

- 1 - Common power supply
- 2 - Power supply 110 Va.c. 50/60 Hz
- 3 - Power supply 220 Va.c. 50/60 Hz
- 6 - NC contact 10A/250 Va.c.
- 7 - Common contacts
- 8 - NO contact 10A/250 Va.c.

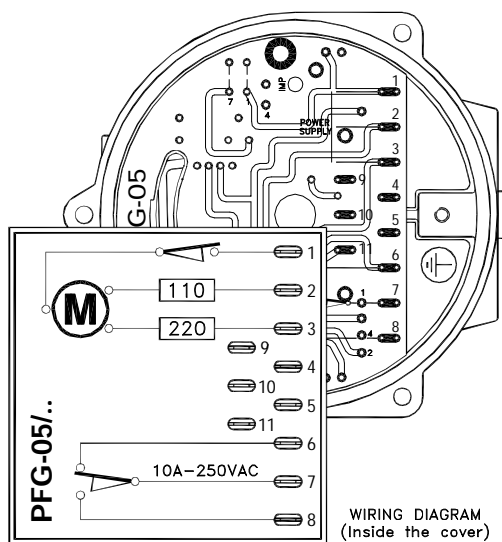
Ambient temperature range  $-20$  to  $+80$  °C  
Weight : AT/F 2.800 Kg - AT 3.000 Kg

On request power supply at 24/48 Va.c. 50/60 Hz or power supply at 24 Vd.c.

Electric motor draw 4 W

Maximum operational pressure 1.1 bar

Heat resistant up to 200 °C

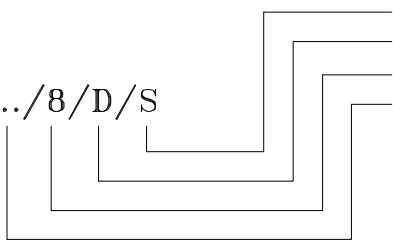


IP65 Protection

Certificate number TÜV 03 ATEX 2374 X



PFG-05/././8/D/S



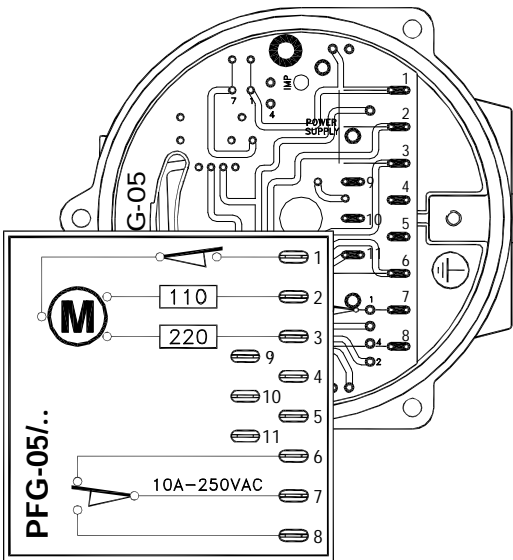
With relay voltage control  
 With double NO/NC contact  
 With control rotating shaft – output 8 pulses/minute  
 Typology level gauge and power supply

- no reference
- With  $\varnothing 2\frac{1}{2}$  Gas threaded connection
  - M - With  $\varnothing 2\frac{1}{2}$  Gas threaded sleeve connection
  - F - With flange connection
  - C - Short
  - X - Parts in contact with the products in Stainless steel
  - AT - For high temperature ( $\leq 200^{\circ}\text{C}$ )
  - V - With double flange connection

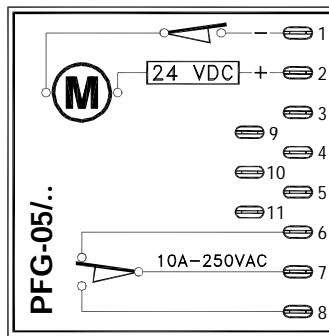
Power supply: 110/220 – 24/48 Va.c. 50/60Hz – 24Vd.c.

The voltage control acts on one power supply on request

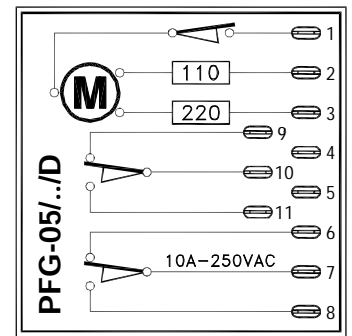
The level gauge can be assembled with different typologies of wiring as follows:



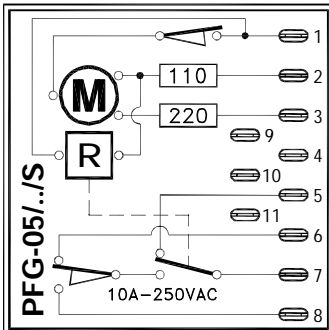
AC Power supply  
NO/NC contact



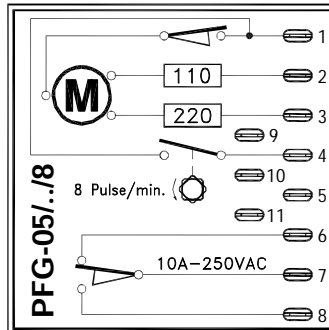
DC Power supply  
NO/NC contact



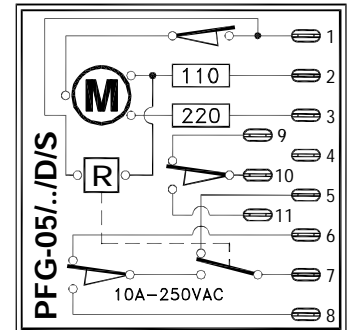
AC or DC Power supply  
Double NO/NC contact



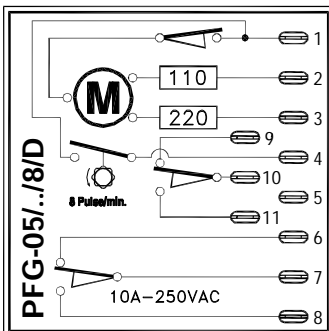
AC or DC Power supply  
NO/NC contact  
Voltage control on one power supply



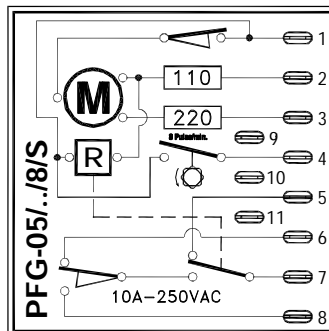
AC or DC Power supply  
NO/NC contact  
Control rotating shaft with  
output 8 pulses/minute



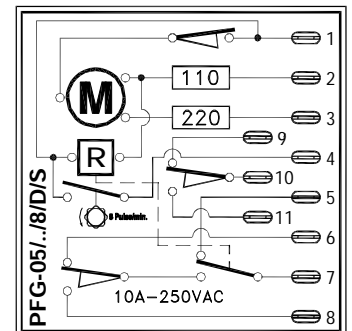
AC or DC Power supply  
Double NO/NC contact  
Voltage control on one power supply



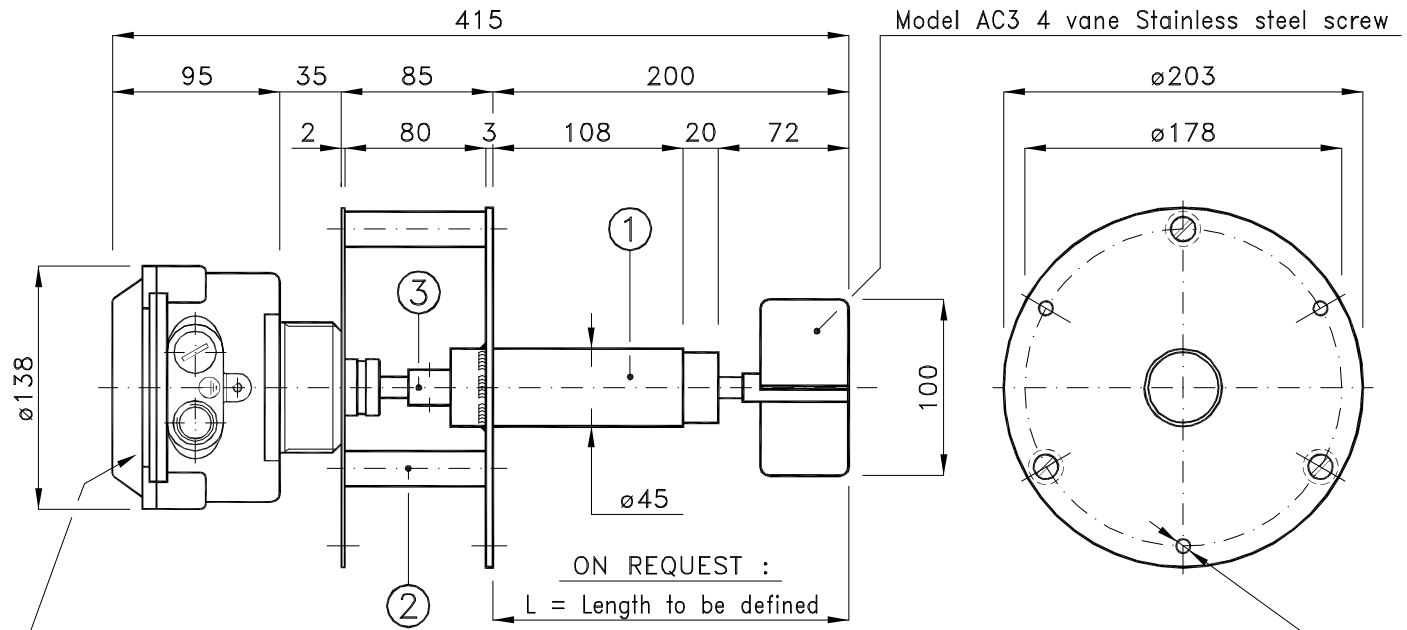
AC or DC Power supply  
Double NO/NC contact  
Control rotating shaft with  
output 8 pulses/minute



AC or DC Power supply  
NO/NC contact  
Control rotating shaft with  
output 8 pulses/minute  
Voltage control on one power supply

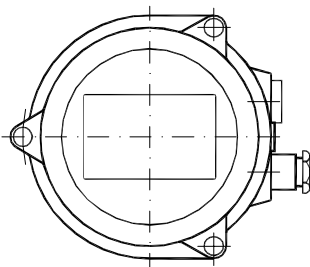


AC or DC Power supply  
Double NO/NC contact  
Control rotating shaft with  
output 8 pulses/minute  
Voltage control on one power supply



Cable inlet  $\varnothing$  1/2" Gas - double horizontal on right side

Three  $\varnothing$  7 equidistant fixing holes



1	Stainless steel tube with flange
2	Spacers in lagging material
3	Coupling in lagging material

Suitable for environments and materials with a high percentage of moisture and in the presence of steam. Enables condensate to be drained off.

IP65 Protection

WIRING

- 1 - Common power supply
- 2 - Power supply 110 Va.c. 50/60 Hz
- 3 - Power supply 220 Va.c. 50/60 Hz
- 6 - NC contact 10A/250 Va.c.
- 7 - Common contacts
- 8 - NO contact 10A/250 Va.c.

Ambient temperature range -20 to +80 °C

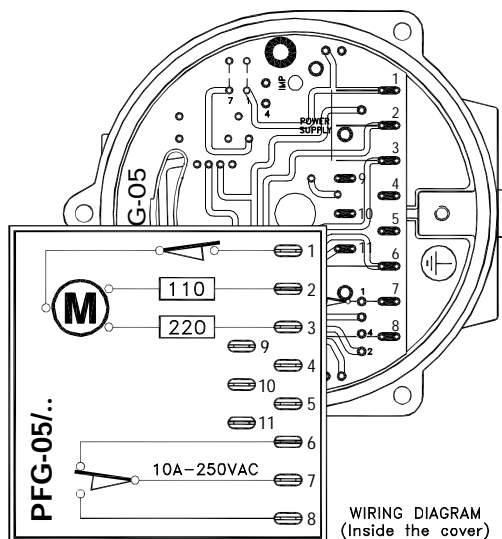
Weight : 3.650 Kg

On request power supply at 24/48 Va.c. 50/60 Hz or power supply at 24 Vd.c.

Electric motor draw 4 W

Maximum operational pressure 1.1 bar

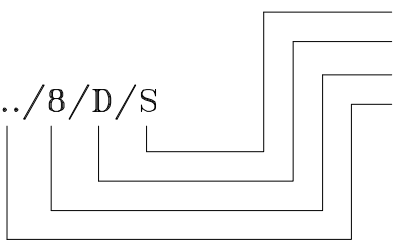
*Heat resistant up to 200 °C*



Certificate number TÜV 03 ATEX 2374 X



PFG-05/././8/D/S



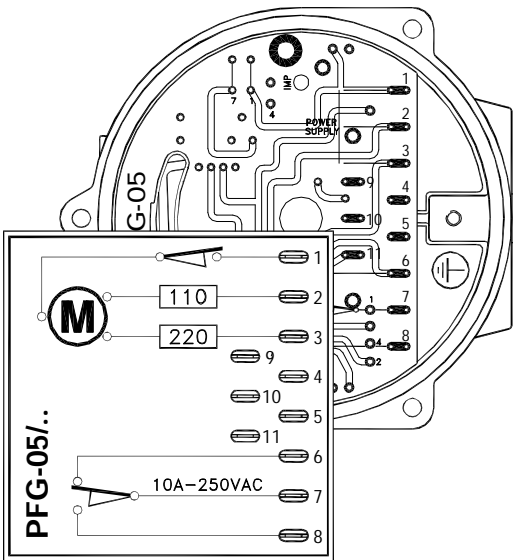
With relay voltage control  
 With double NO/NC contact  
 With control rotating shaft – output 8 pulses/minute  
 Typology level gauge and power supply

- no reference
- With  $\varnothing 2\frac{1}{2}$  Gas threaded connection
  - M - With  $\varnothing 2\frac{1}{2}$  Gas threaded sleeve connection
  - F - With flange connection
  - C - Short
  - X - Parts in contact with the products in Stainless steel
  - AT - For high temperature ( $\leq 200^{\circ}\text{C}$ )
  - V - With double flange connection

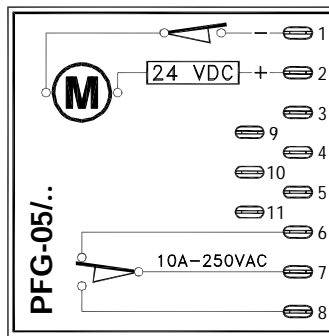
Power supply: 110/220 – 24/48 Va.c. 50/60Hz – 24Vd.c.

The voltage control acts on one power supply on request

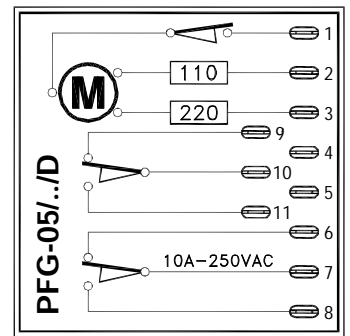
The level gauge can be assembled with different typologies of wiring as follows:



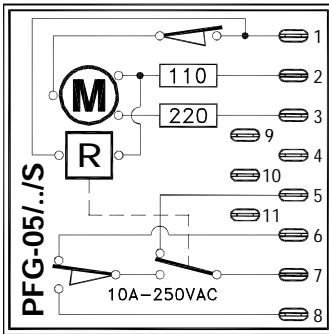
AC Power supply  
NO/NC contact



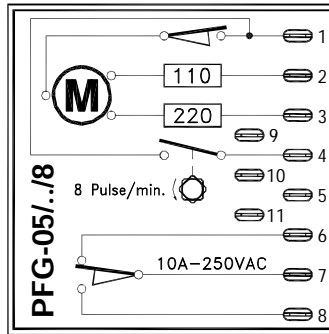
DC Power supply  
NO/NC contact



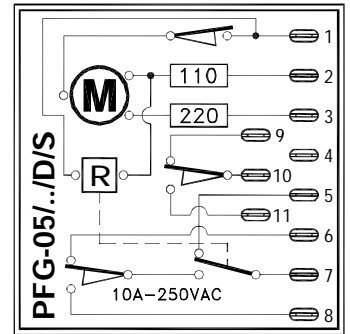
AC or DC Power supply  
Double NO/NC contact



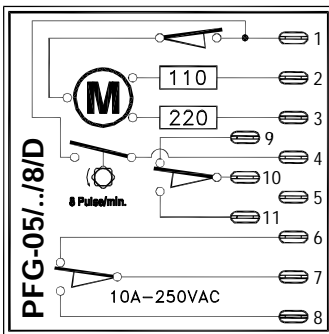
AC or DC Power supply  
NO/NC contact  
Voltage control on one power supply



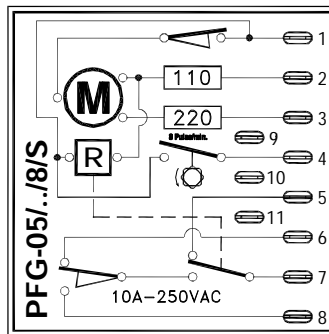
AC or DC Power supply  
NO/NC contact  
Control rotating shaft with  
output 8 pulses/minute



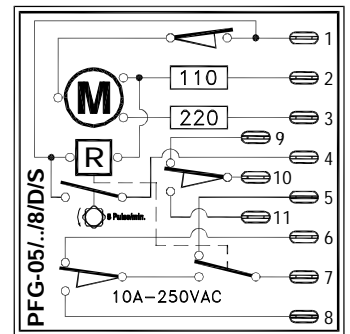
AC or DC Power supply  
Double NO/NC contact  
Voltage control on one power supply



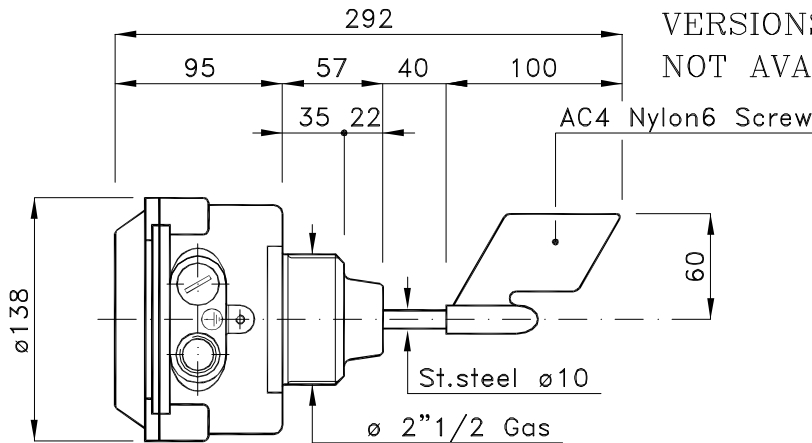
AC or DC Power supply  
Double NO/NC contact  
Control rotating shaft with  
output 8 pulses/minute



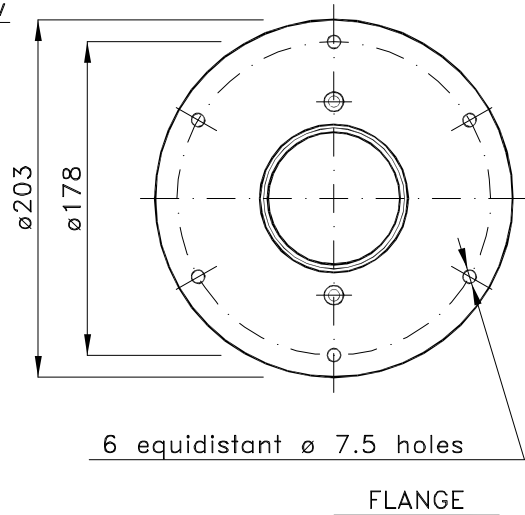
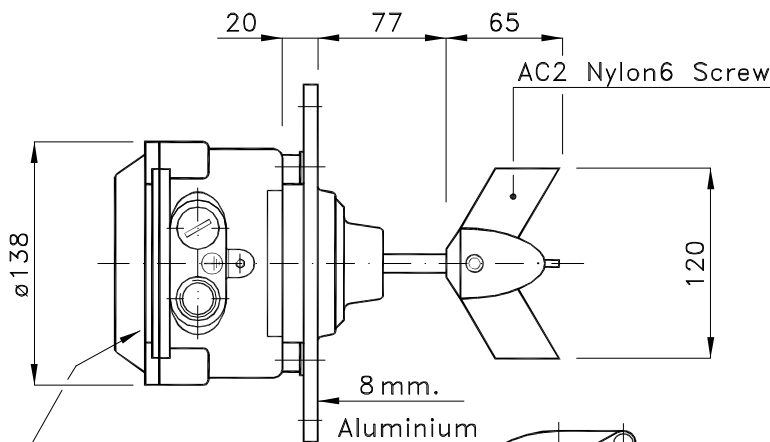
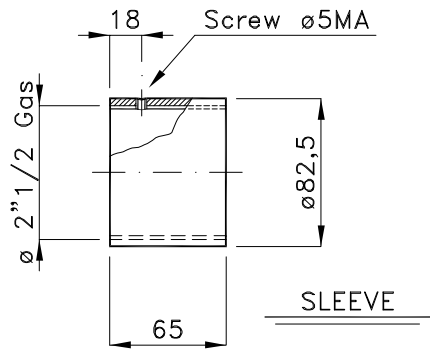
AC or DC Power supply  
NO/NC contact  
Control rotating shaft with  
output 8 pulses/minute  
Voltage control on one power supply



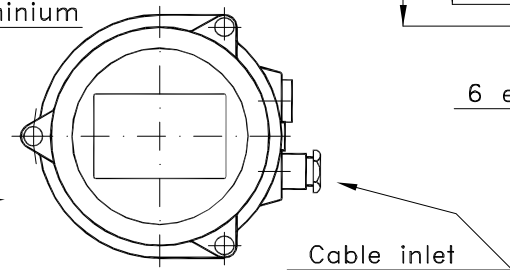
AC or DC Power supply  
Double NO/NC contact  
Control rotating shaft with  
output 8 pulses/minute  
Voltage control on one power supply



VERSIONS WITH SLEEVE OR FLANGE  
NOT AVAILABLE WITH EXTENSION



Cable inlet  
ø 1/2" Gas double  
horizontal  
on right side  
IP65 Protection



### WIRING

- 1 - Common power supply
- 2 - Power supply 110 Va.c. 50/60 Hz
- 3 - Power supply 220 Va.c. 50/60 Hz
- 6 - NC contact 10A/250 Va.c.
- 7 - Common contacts
- 8 - NO contact 10A/250 Va.c.

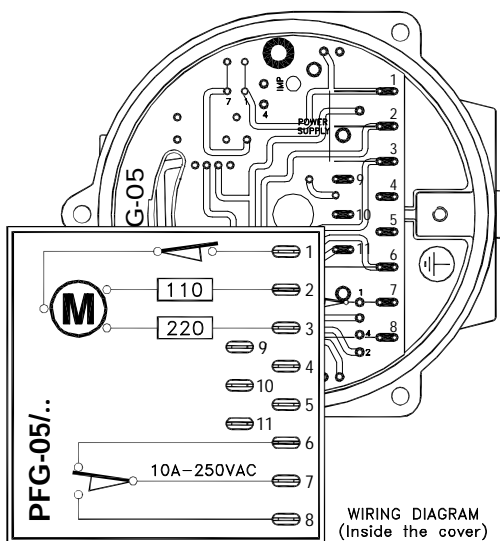
Ambient temperature range -20 to +70 °C  
Weight : PFG-05/C 1.500 Kg - PFG-05/C/F 2.000 Kg

On request power supply at 24/48 Va.c.  
50/60 Hz or power supply at 24 Vd.c.

Electric motor draw 4 W

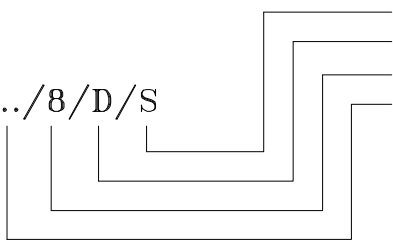
Maximum operational pressure 1.1 bar

Certificate number TÜV 03 ATEX 2374 X



PFG-05/C = with 2 1/2 Gas thread - PFG-05/C/F = with flange

PFG-05/././8/D/S



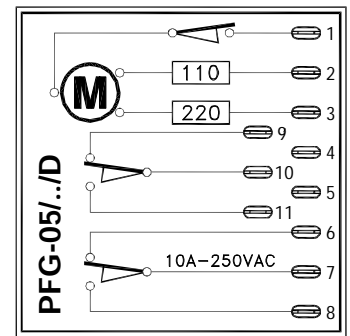
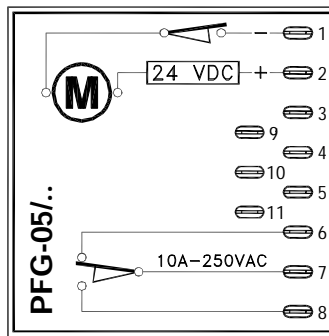
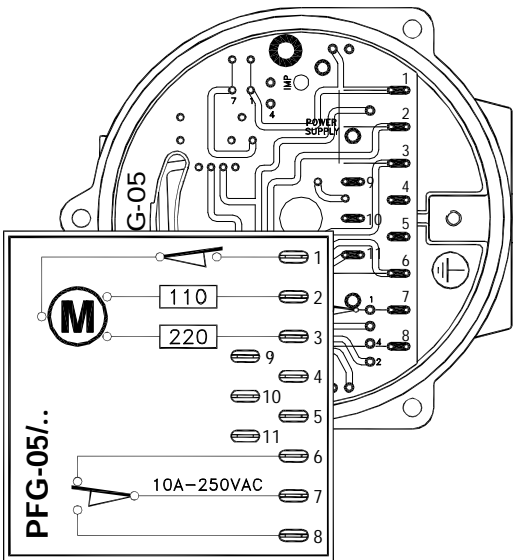
With relay voltage control  
 With double NO/NC contact  
 With control rotating shaft – output 8 pulses/minute  
 Typology level gauge and power supply

- no reference
- With  $\varnothing 2\frac{1}{2}$  Gas threaded connection
  - M - With  $\varnothing 2\frac{1}{2}$  Gas threaded sleeve connection
  - F - With flange connection
  - C - Short
  - X - Parts in contact with the products in Stainless steel
  - AT - For high temperature ( $\leq 200^{\circ}\text{C}$ )
  - V - With double flange connection

Power supply: 110/220 – 24/48 Va.c. 50/60Hz – 24Vd.c.

The voltage control acts on one power supply on request

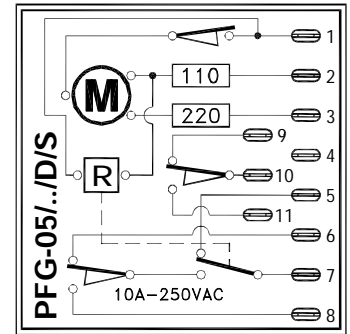
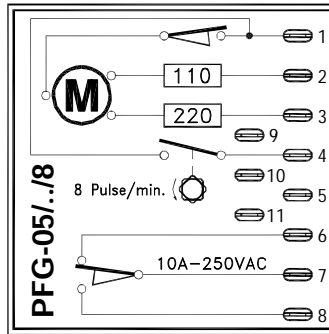
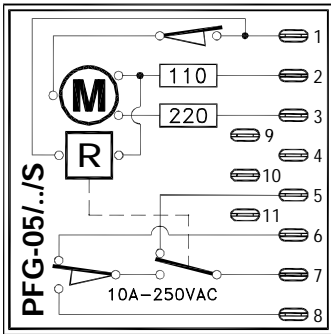
The level gauge can be assembled with different typologies of wiring as follows:



AC Power supply  
NO/NC contact

DC Power supply  
NO/NC contact

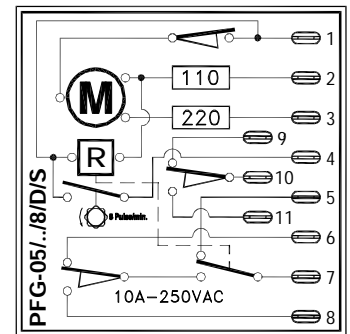
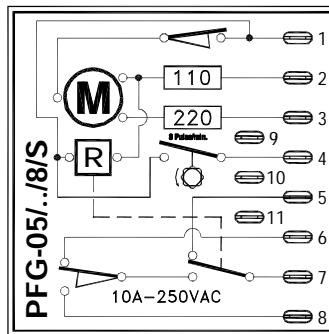
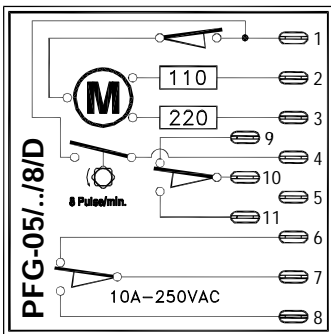
AC or DC Power supply  
Double NO/NC contact



AC or DC Power supply  
NO/NC contact  
Voltage control on one power supply

AC or DC Power supply  
NO/NC contact  
Control rotating shaft with  
output 8 pulses/minute

AC or DC Power supply  
Double NO/NC contact  
Voltage control on one power supply

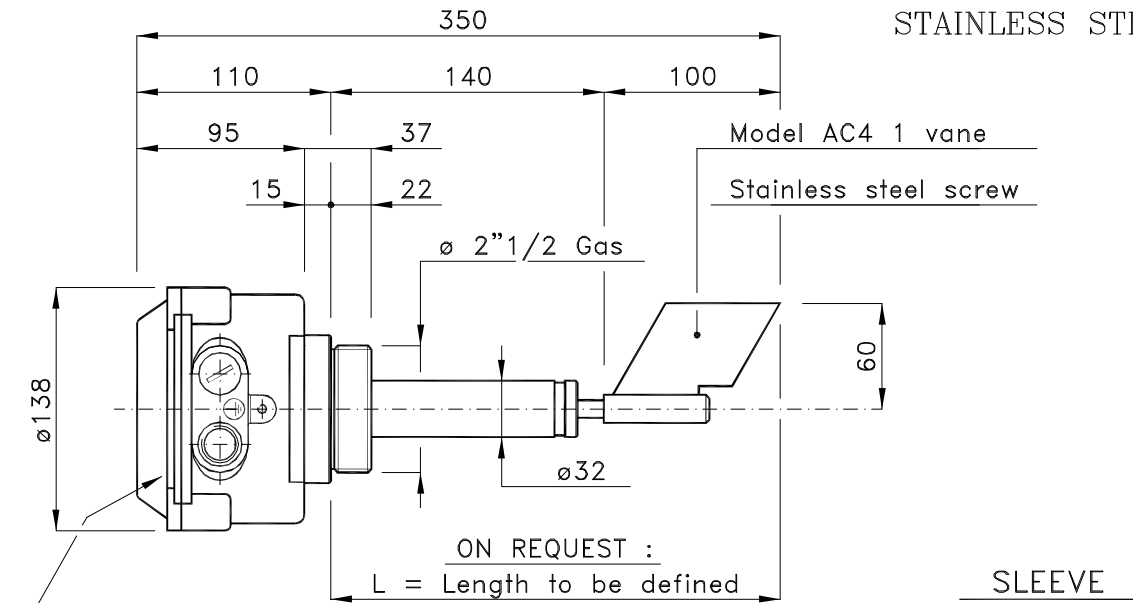


AC or DC Power supply  
Double NO/NC contact  
Control rotating shaft with  
output 8 pulses/minute

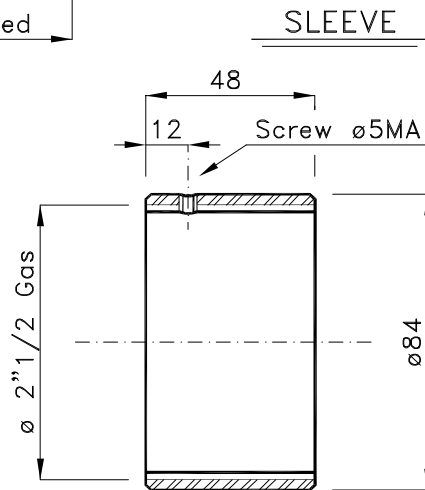
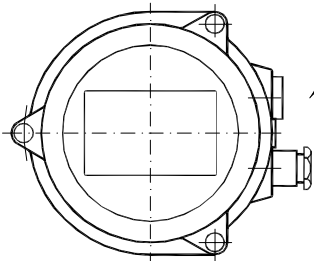
AC or DC Power supply  
NO/NC contact  
Control rotating shaft with  
output 8 pulses/minute  
Voltage control on one power supply

AC or DC Power supply  
Double NO/NC contact  
Control rotating shaft with  
output 8 pulses/minute  
Voltage control on one power supply

PARTS IN CONTACT WITH THE PRODUCTS ARE MADE OF STAINLESS STEEL



Cable inlet  $\varnothing 1/2''$  Gas - double horizontal on right side



### WIRING

- 1 - Common power supply
- 2 - Power supply 110 Va.c. 50/60 Hz
- 3 - Power supply 220 Va.c. 50/60 Hz
- 6 - NC contact 10A/250 Va.c.
- 7 - Common contacts
- 8 - NO contact 10A/250 Va.c.

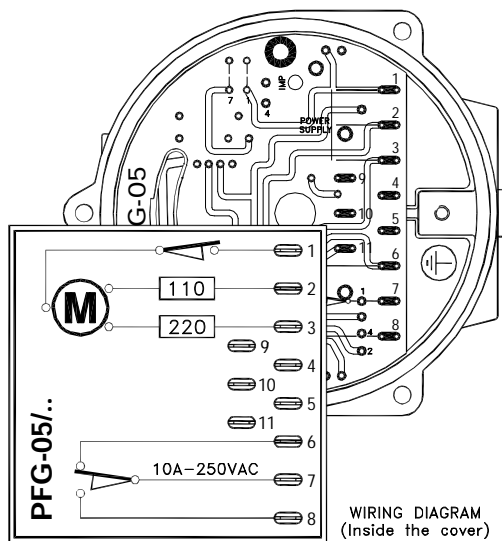
Ambient temperature range  $-20$  to  $+70$  °C

Weight : 2.900 Kg

On request power supply at 24/48 Va.c. 50/60 Hz or power supply at 24 Vd.c.

Electric motor draw 4 W

Maximum operational pressure 1.1 bar



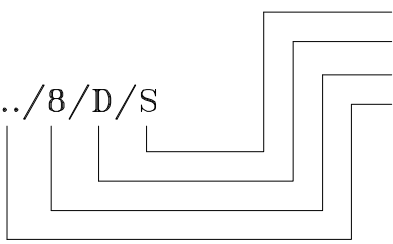
IP65 Protection

Certificate number TÜV 03 ATEX 2374 X





PFG-05/././8/D/S



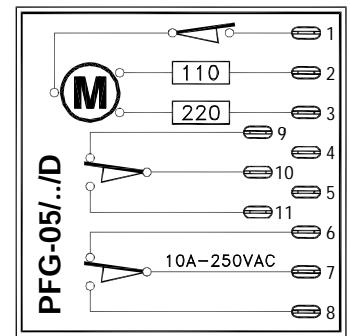
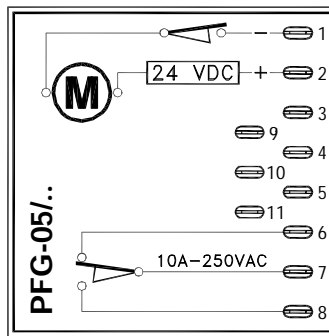
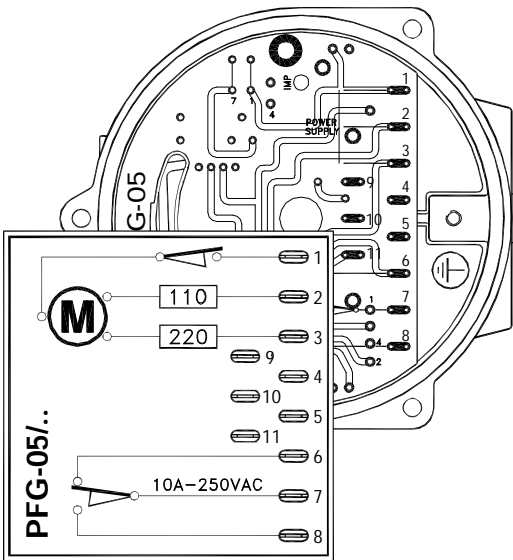
With relay voltage control  
 With double NO/NC contact  
 With control rotating shaft – output 8 pulses/minute  
 Typology level gauge and power supply

- no reference
- With  $\varnothing 2\frac{1}{2}$  Gas threaded connection
  - M - With  $\varnothing 2\frac{1}{2}$  Gas threaded sleeve connection
  - F - With flange connection
  - C - Short
  - X - Parts in contact with the products in Stainless steel
  - AT - For high temperature ( $\leq 200^{\circ}\text{C}$ )
  - V - With double flange connection

Power supply: 110/220 – 24/48 Va.c. 50/60Hz – 24Vd.c.

The voltage control acts on one power supply on request

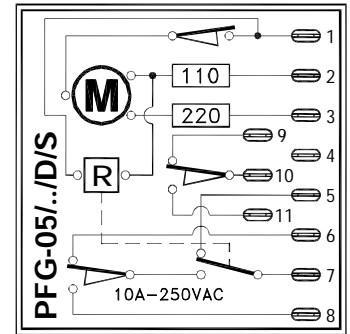
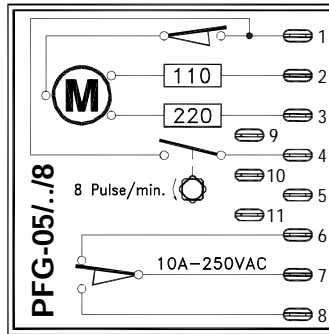
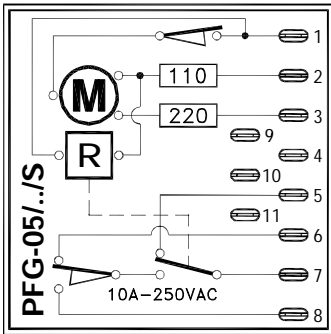
The level gauge can be assembled with different typologies of wiring as follows:



AC Power supply  
NO/NC contact

DC Power supply  
NO/NC contact

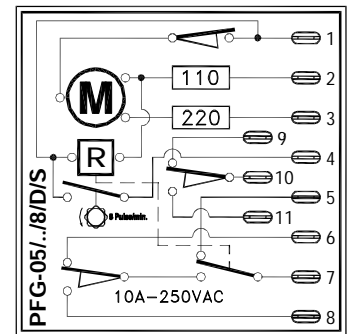
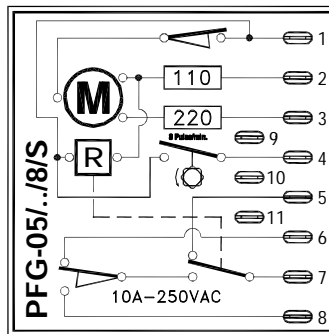
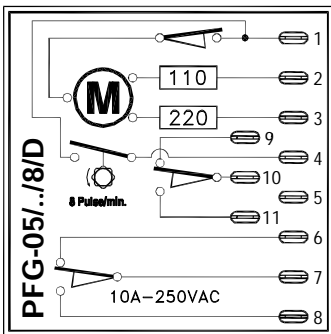
AC or DC Power supply  
Double NO/NC contact



AC or DC Power supply  
NO/NC contact  
Voltage control on one power supply

AC or DC Power supply  
NO/NC contact  
Control rotating shaft with  
output 8 pulses/minute

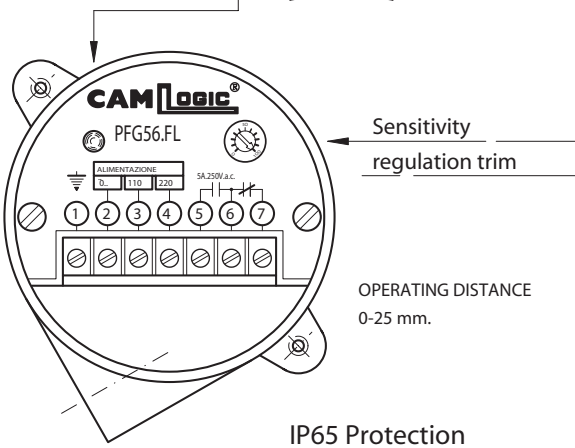
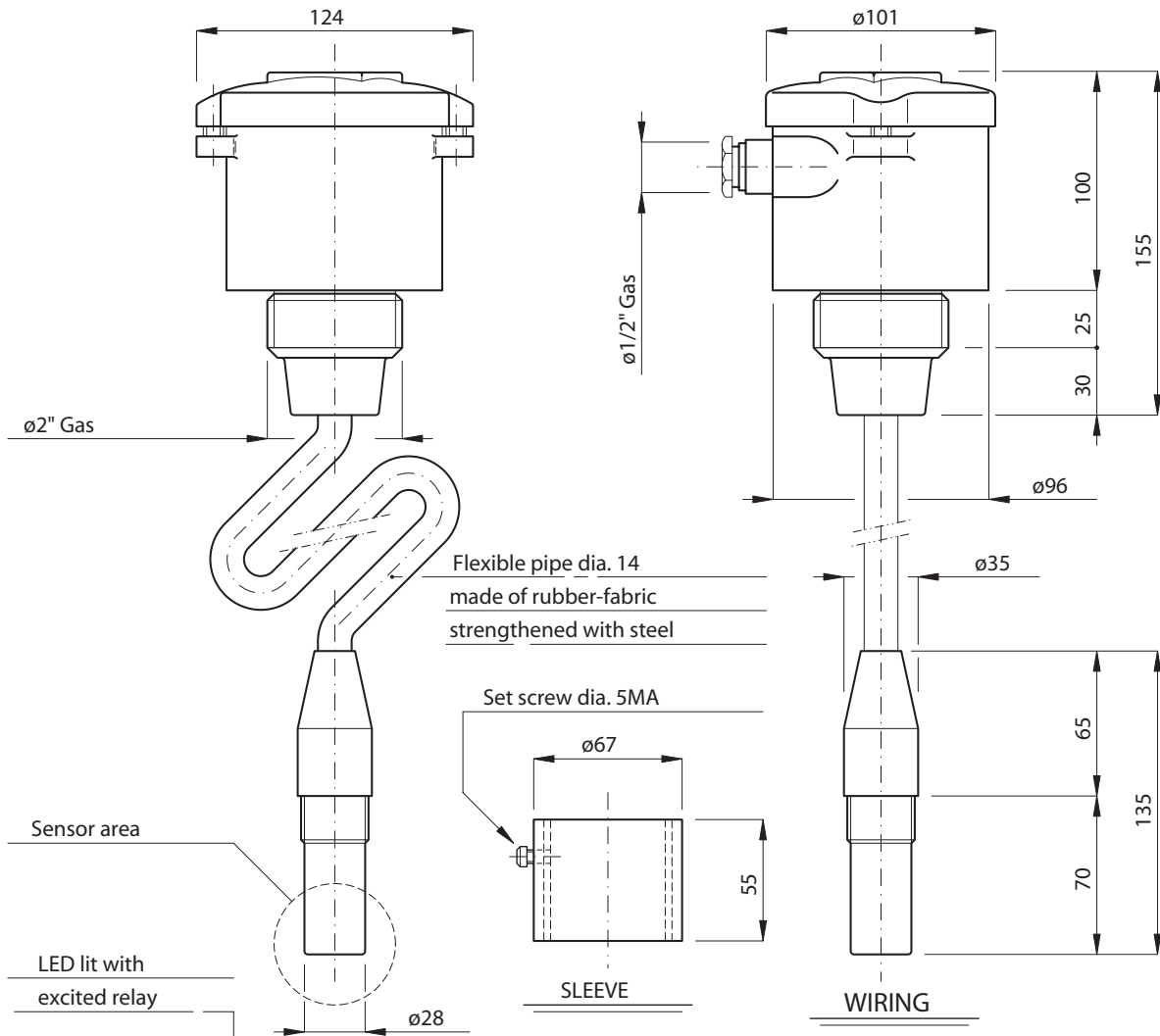
AC or DC Power supply  
Double NO/NC contact  
Voltage control on one power supply



AC or DC Power supply  
Double NO/NC contact  
Control rotating shaft with  
output 8 pulses/minute

AC or DC Power supply  
NO/NC contact  
Control rotating shaft with  
output 8 pulses/minute  
Voltage control on one power supply

AC or DC Power supply  
Double NO/NC contact  
Control rotating shaft with  
output 8 pulses/minute  
Voltage control on one power supply



- 1 - Ground
  - 2 - Common power supply
  - 3 - Power supply 110 Va.c.50/60Hz
  - 4 - Power supply 220 Va.c.50/60Hz
  - 5 - NO contact 5A/250Va.c.
  - 6 - Common contacts
  - 7 - NC contact 5A/250Va.c.
- Electric draw 1 W to 220 Va.c.  
Ambient temperature range -20 to +70° C  
Weight : 1,600 Kg  
On request power supply at 24/48 V.  
Maximum operational pressure 8 bar

The trim stop clockwise position enables the static test on the equipment by exciting the relay ( maximum sensitivity )

