

Note: Provide offer for TE only Qty: 3 No's

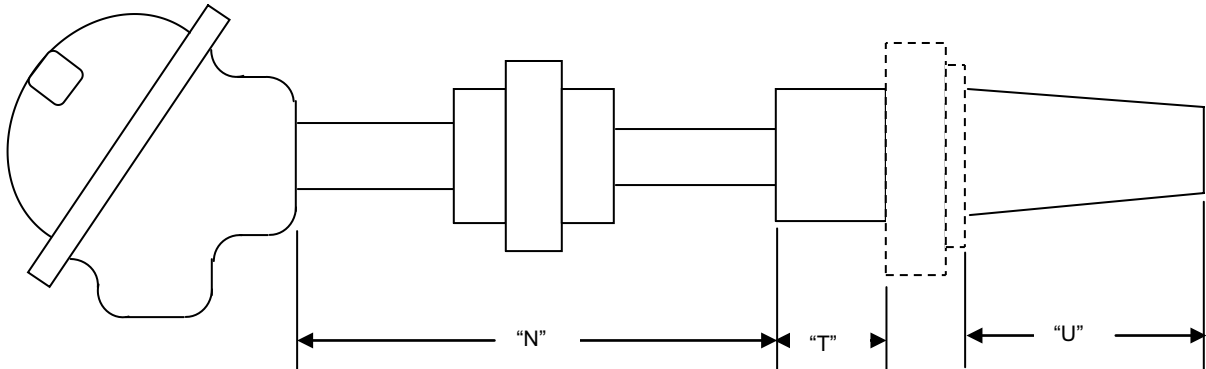
INSTRUMENT SPECIFICATION

Project: No: 40000758
 Client: RANDALL GAS TECHNOLOGIES
 Project Name: INDORAMA

Spec. No.: 1420117432		Rev. No.: 0	
P. O. No.:		Date: 10/15/2014	
By: MAL		Chk'd:	
Appr'd:			
No.	Date	By	Revision
0	10/15/2014	MAL	Release

RTD'S

1	Complete Assembly: <input type="checkbox"/> Other: Element	11	Mounting Thread:
HEAD		12	Connection: 2-Wire: <input type="checkbox"/> 3-Wire: <input checked="" type="checkbox"/> 4-Wire: <input type="checkbox"/>
2	Screwed Cover: <input type="checkbox"/> Other:	Lead Wires: <input type="checkbox"/> Receptacles: <input type="checkbox"/> Bayonet Lock: <input type="checkbox"/>	
3	Explosion Proof: <input type="checkbox"/> Class:	Other:	
4	Material: Cond. Conn:	WELL OR TUBE	
5	Nipple Size: Dimension N: Union: <input type="checkbox"/>	13	Material:
ELEMENT		14	Construction: Tapered: <input type="checkbox"/> Straight: <input type="checkbox"/>
6	Platinum: <input checked="" type="checkbox"/> Nickel: <input type="checkbox"/> Other:	Drilled: <input type="checkbox"/> Built Up: <input type="checkbox"/> Closed End Tube: <input type="checkbox"/>	
7	Ice Point Resistance: 100 Ohms	15	Dimensions: MFR STD.: <input type="checkbox"/> O. D. : I. D.
8	Temperature Range: -20 to 200 DEG C (-4 to 392 DEG F)	16	Internal Thread:
9	Leads: STD: <input checked="" type="checkbox"/> Potted: <input type="checkbox"/> Herm. Sealed: <input type="checkbox"/>	17	Process Connection:
10	Sheath Material: O. D. :		
18	Manufacturer: Dittmer		
Model No.: AT14149-01			



Rev.	Tag No.	Process Conn.	Well Dimens.		Element Length	Single or Dual	Service	Notes
			"U"	"T"				
	()	N/A	N/A	0.0"	11 MM	Single	Stage 1 Radial Bearing Temp	TE1
	()						Stage 1 Radial Bearing Temp Spare	TE2
	()	N/A	N/A	0.0"	11 MM	Single	High Speed Pinion 1 Inactive Thrust Bearing	TE3
	()						High Speed Pinion 1 Inactive Thrust Bearing Spare	TE4
	()	N/A	N/A	0.0"	11 MM	Single	HS Pinion 1 Active Thrust Bearing Temp	TE5
	()						HS Pinion 1 Active Thrust Bearing Temp Spare	TE6
	()	N/A	N/A	0.0"	11 MM	Single	Stage 2 Radial Bearing Temp	TE7
	()						Stage 2 Radial Bearing Temp Spare	TE8
	()	N/A	N/A	0.0"	11 MM	Single	LS Pinion NDE Radial Bearing Temp	TE9
	()						LS Pinion NDE Radial Bearing Spare	TE10

Notes:

ATEX CERTIFICATE REQUIRED FOR II 3G EEXI IIA T3