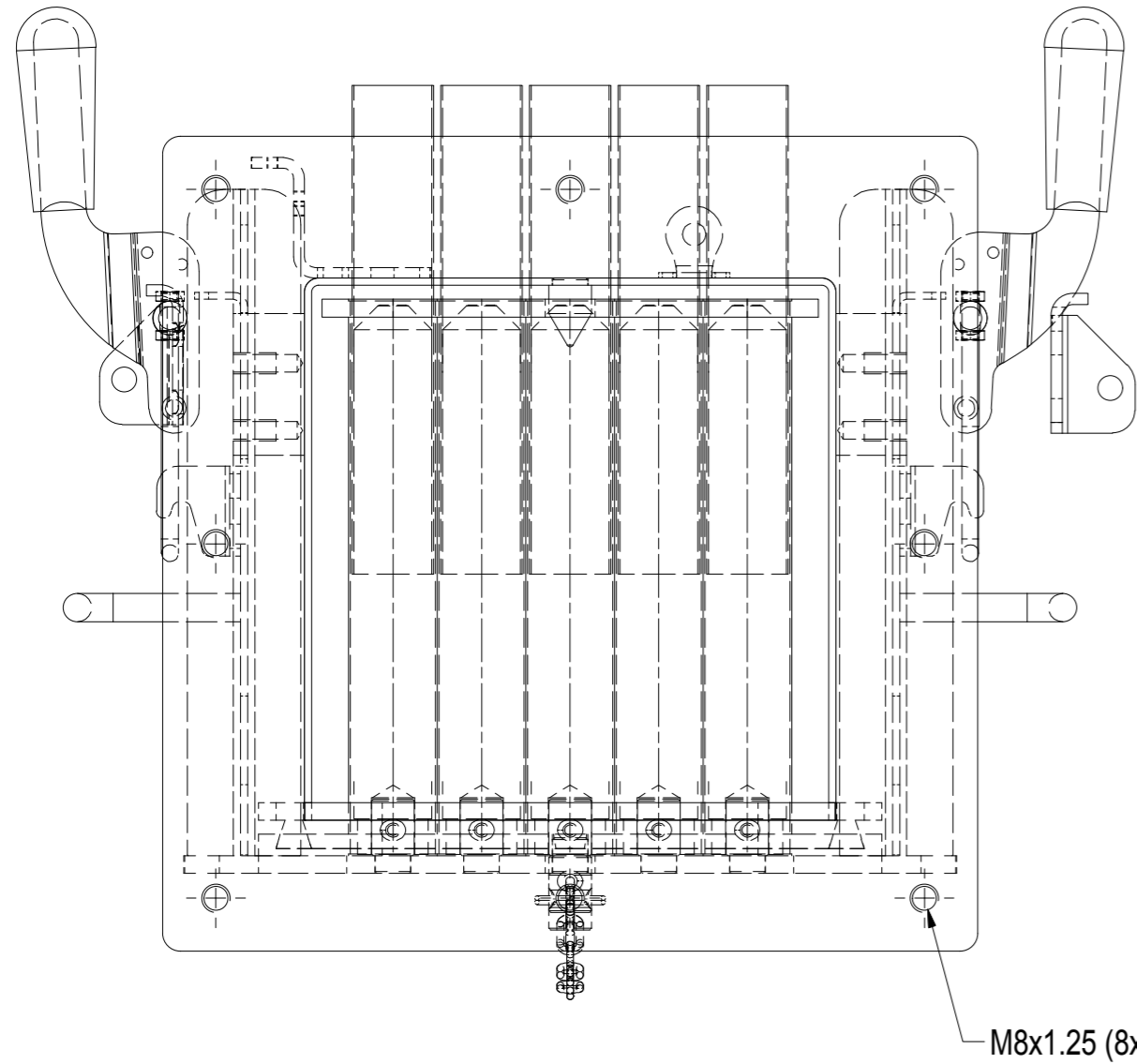


| | | | |
|-----|------------|----|------------------------------|
| 6 | DATE | BY | DESCRIPTION |
| REV | 10-06-2011 | CR | REFERENCE DRAWING SECF360338 |



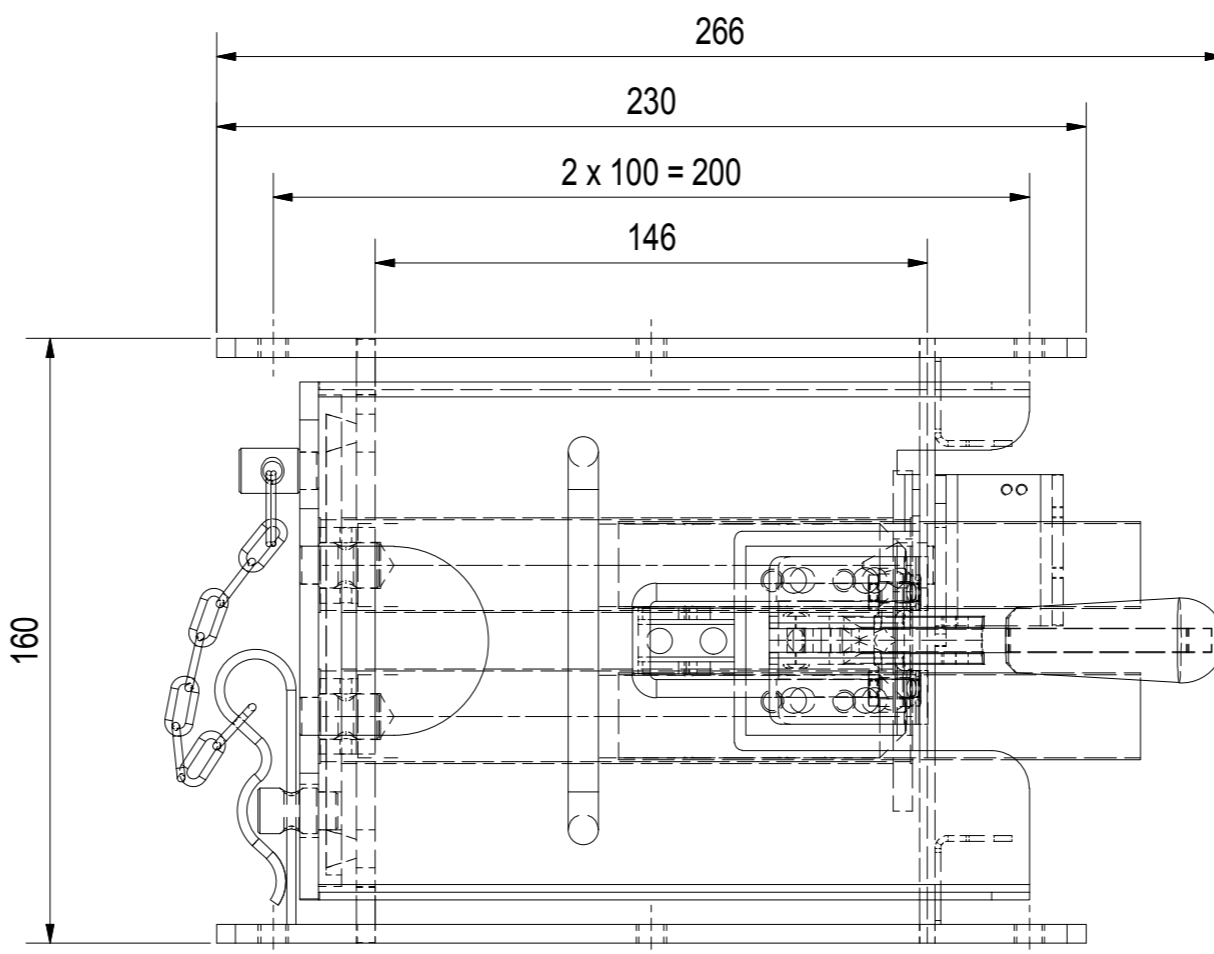
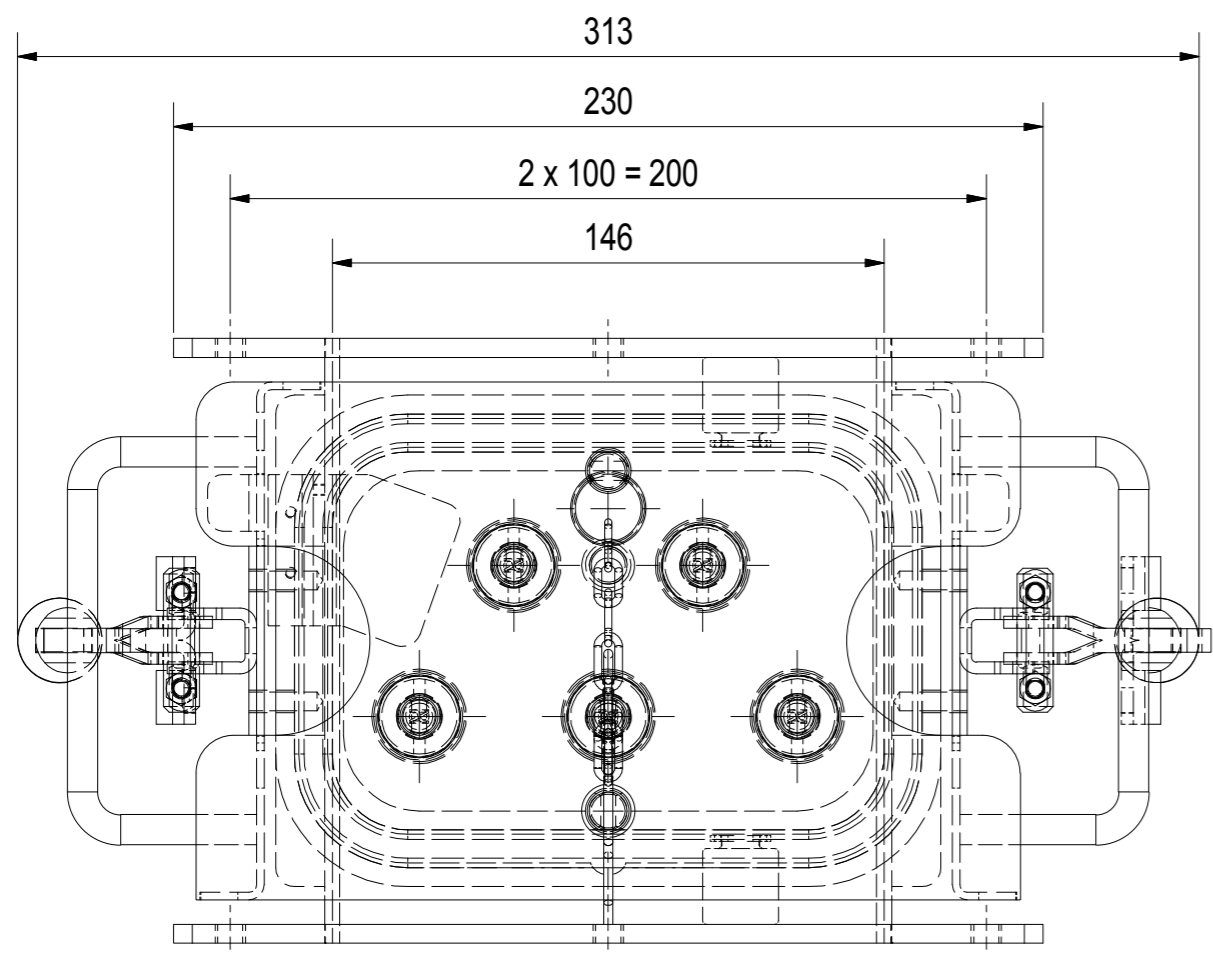
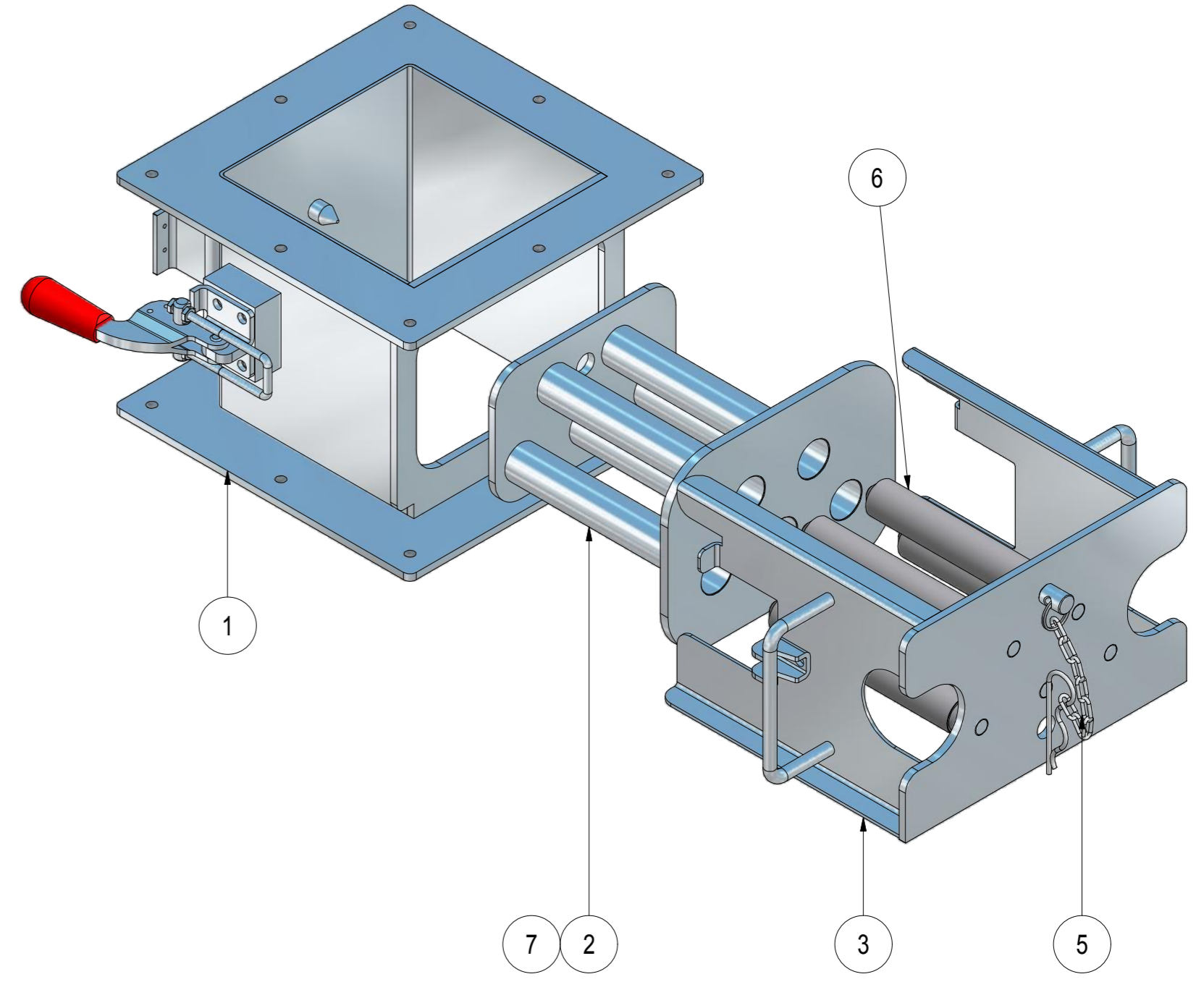
HOUSING
MATERIAL: AISI304L
WELDING: IN- & OUTSIDE FULLY WELDED
INSIDE FLATTENED (Ra<1.3mu)
FINISH: ELECTROLYTIC POLISHED

FRONT GRID
MATERIAL: AISI304L
WELDING: IN- & OUTSIDE FULLY WELDED
FINISH: ELECTROLYTIC POLISHED

EXTRACTOR
MATERIAL: AISI316L
SOLDERED
FINISH: ELECTROLYTIC POLISHED

MAGNETS
MATERIAL: N42SH, Br(max) 13.200
5 BARS Ø25/23

PACKING
SILICONE TRAPEZIUM FDA (RED)



| ITEM | QTY | PART NUMBER | DESCRIPTION | DIMENSIONS |
|------|-----|-------------|--------------------------------|------------|
| 4 | 1 | 1240.90023 | SILICONE TRAP 10x8x5 FDA RED | 490 mm |
| 6 | 5 | M15528 | CF100 BAR I D23 N42SH L155 | |
| 5 | 1 | M15489 | CF000 LOCKER WITH CHAIN "SAFE" | |
| 3 | 1 | A110096 | FRONT CF100 GRID SMOOTH | |
| 2 | 1 | M79825 | CF1515 EXTRACTOR 2+3 BRAZING | |
| 1 | 1 | M80739 | CF1515 HOUSING ASSY | |

Scale: 1:2 Sheet: A2
Date: 10-06-2011
Drawn: CR Unit: st
General tolerance: ISO 2768 mK
Drawn according: ISO268 ISO1101 ISO2553
GOUDSMIT
MAGNETIC SYSTEMS
© All rights reserved. Reproduction is not permitted without written permission of GOUDSMIT Magnetic Systems BV
Lookup: CF150NB
Description: CF1515 N42SH D25/23 POLISH
Artnr: SECF150538
Rev: A