

Adapters



Adapter Matrices

The chart listed below is designed to aid in locating the appropriate adapter by application. All adapters can be found on pages 107 through 131 in this catalog.

NOTE: The X in the part numbers below refers to a detent-tabbed item. Replace the X with a 3 for a Full Detent, a 4 for a Limited Detent, or a 5 for a Smooth Bore. Not all detents are available for all adapters. All part numbers in purple indicate parts made to order.

| GPO/GPPO/G3PO/G4PO Adapters | | | | | | | |
|-----------------------------|--|---------------|------------------------------|---------------|---------------|---------------|---------------|
| | GPO (M) | GPO (F) | GPPO (M) | GPPO (F) | G3PO (M) | G3PO (F) | G4PO (M) |
| 1.85mm (M) | 1AXM2-0509-01 | 1A1M2-0509-01 | 1BXM2-0509-01 | 1B1M2-0509-01 | 1RXM2-0503-01 | 1R1M2-0509-01 | |
| 1.85mm (F) | 1AXM1-0509-01 | 1A1M1-0509-01 | 1BXM1-0509-01 | 1B1M1-0509-01 | 1RXM1-0503-01 | 1R1M1-0509-01 | 1SXM1-0503-01 |
| 2.4mm (M) | 1AXC2-0509-01 | 1A1C2-0521-01 | 1BXC2-0503-01 | 1B1C2-0501-01 | 1RXC2-0503-01 | 1R1C2-0501-01 | |
| 2.4mm (F) | 1AXC1-0503-01 | 1A1C1-0503-01 | 1BXC1-0503-01 | 1B1C1-0501-01 | 1RXC1-0503-01 | 1R1C1-0501-01 | |
| 2.92mm (M) | 1AXD2-0503-01 | 1A1D1-0501-01 | 1BXD2-0503-01 | 1B1D2-0501-01 | 1RXD2-0503-01 | 1R1D2-0501-01 | 1SXD2-0503-01 |
| 2.92mm (F) | 1AXD1-0503-01 | 1A1D1-0503-01 | 1BXD1-0503-01 | 1B1D1-0503-01 | 1RXD1-0503-01 | 1R1D1-0503-01 | |
| SMA (M) | 1A3F2-0503-01 | 1A1F2-0503-01 | 1BXF2-0503-01 | 1B1F2-0503-01 | 1RXF2-0503-01 | 1R1F2-0503-01 | |
| SMA (F) | 1AXF1-0503-01 1AXF1-0513-03 1AXF1-0513-05 1AXF1-0523-01 | 1A1F1-0503-01 | 1BXF1-0503-01 | 1B1F1-0503-01 | 1RXF1-0509-01 | 1R1F1-0503-01 | |
| GPO (M) | A3AX-0539-01 | | | 1B1A3-0541-01 | | | |
| GPO (F) | A1AX-0503-01 | *A1A1-0001-XX | | | | | |
| GPPO (M) | | | BXBX-0523-01 BXBX-0523-02 | | | | |
| GPPO (F) | | | | *B1B1-0001-XX | | | |
| G3PO (F) | | | | | | *R1R1-0001-XX | |

*XX refers to bullet lengths. GPO, GPPO and G3PO Blindmate interconnect bullets are available in different lengths. Please consult the factory for information on bullet lengths not found in this catalog.

| GMS Adapters | | SGMS Adapters | | |
|--------------|----------------------------|----------------------------|-------------|---------------|
| | GMS (M) | GMS (F) | SGMS (F) | SGMS (M) |
| SMA (M) | 00218-400-3 | 00218-200-3 00218-201-3 | 00218-201-3 | |
| SMA (F) | 00218-300-3 00218-301-3 | 00218-100-3 00218-101-3 | 00218-101-3 | 1F1P5-0503-01 |
| SGMS (F) | | | 1881-001-1 | |

GPPO Within Series Adapters

GPPO Male to GPPO Male Thread-in

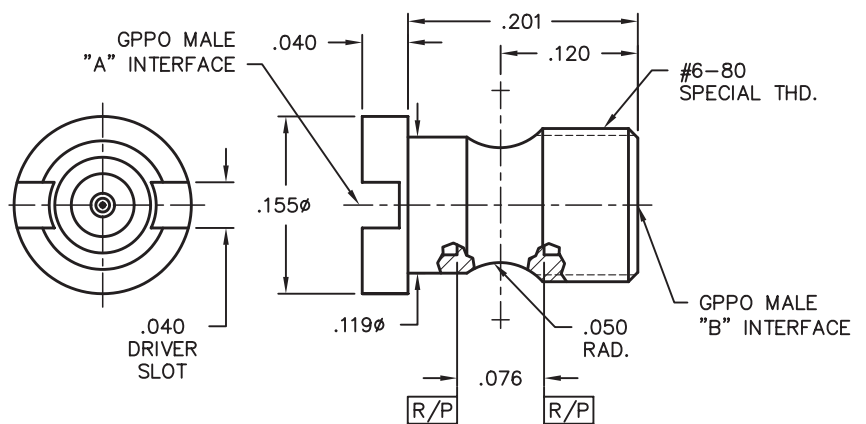
Catalog Number A-B

B3B3-0523-01 FD-FD

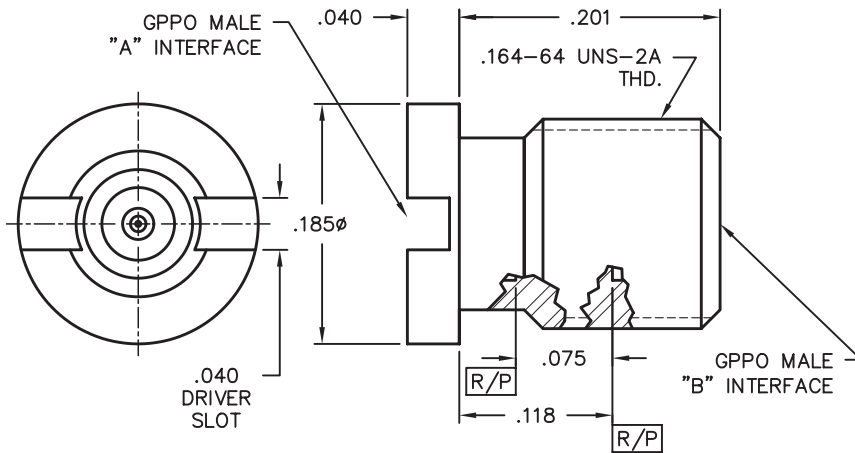
B5B3-0523-01 SB-FD

VSWR (TYP)

1.20:1 to 26.5 GHz, 1.30:1 to 40 GHz



GPPO Male to GPPO Male Thread-in



Catalog Number A-B

| | |
|--------------|-------|
| B3B3-0523-02 | FD-FD |
| B3B5-0523-02 | FD-SB |
| B5B3-0523-02 | SB-FD |
| B5B5-0523-02 | SB-SB |

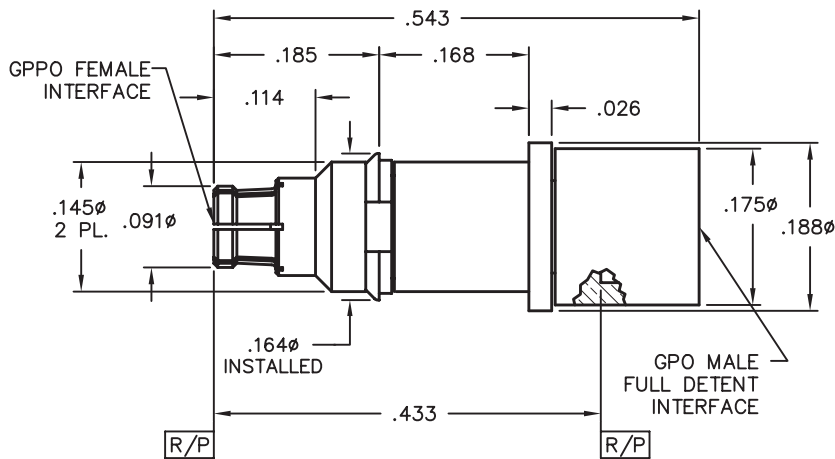
VSWR (TYP)

1.20:1 to 26.5 GHz, 1.30:1 to 40 GHz



GPPO Between Series Adapters

GPPO Female Snap-in Bulkhead Mount to GPO Male FD



Catalog Number

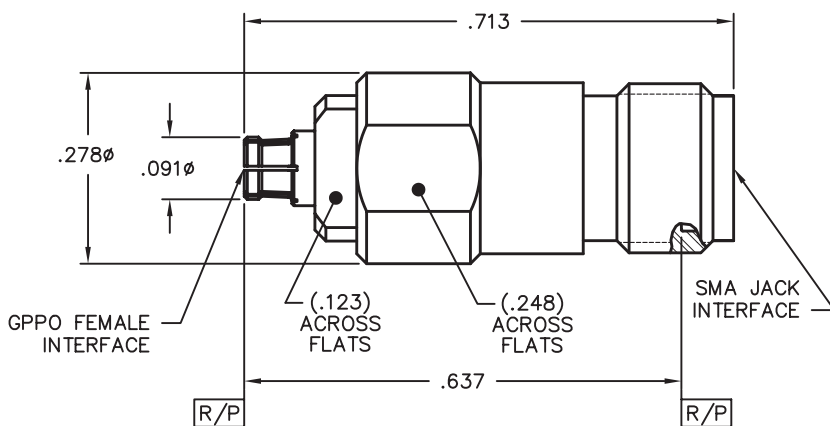
1B1A3-0541-01

VSWR (TYP)

1.20:1 to 26.5 GHz, 1.30:1 to 40 GHz



GPPO Female to SMA Jack



Catalog Number

1B1F1-0503-01

VSWR (TYP)

1.15:1 to 12 GHz, 1.30:1 to 26.5 GHz



GPPO Between Series Adapters

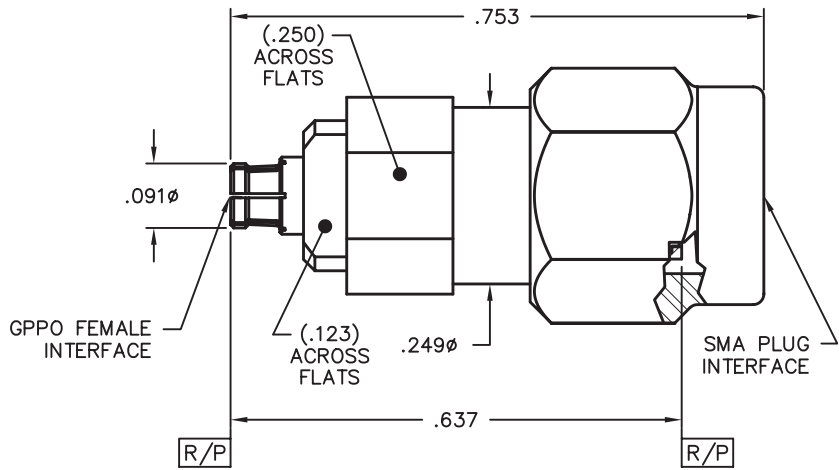
GPPO Female to SMA Plug

Catalog Number

1B1F2-0503-01

VSWR (TYP)

1.20:1 to 26.5 GHz



GPPO Male to SMA Jack

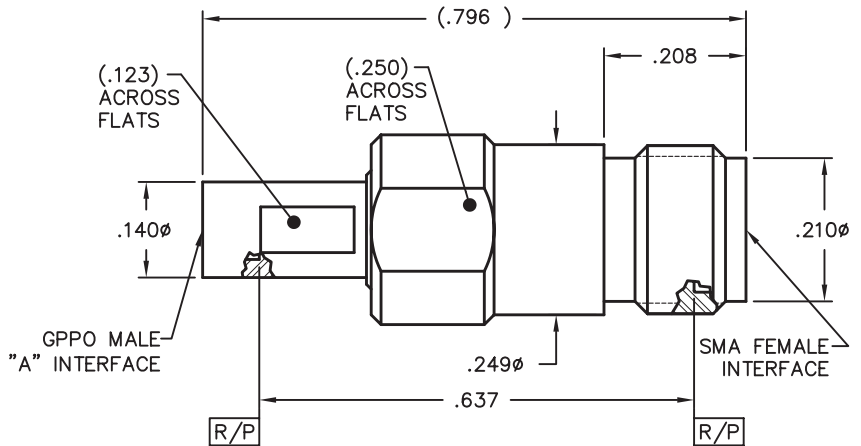
Catalog Number A

1B3F1-0503-01 FD

1B5F1-0503-01 SB

VSWR (TYP)

1.10:1 to 12 GHz, 1.20:1 to 26.5 GHz



GPPO Male to SMA Plug

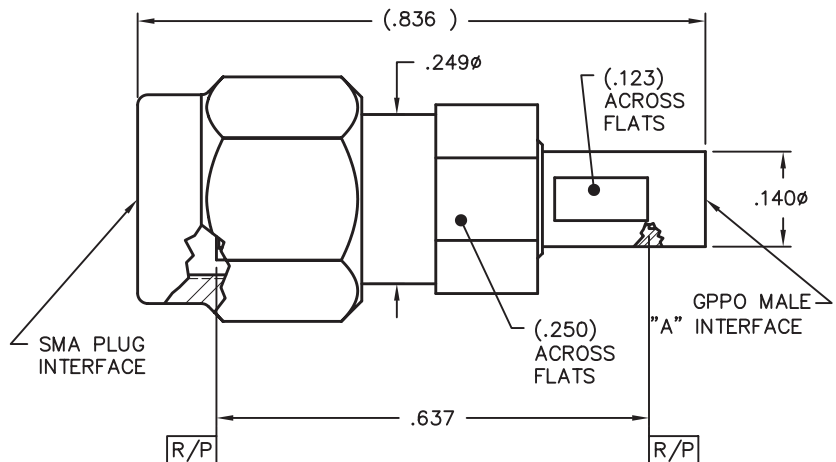
Catalog Number A

1B3F2-0503-01 FD

1B5F2-0503-01 SB

VSWR (TYP)

1.15:1 to 18 GHz, 1.25:1 to 26.5 GHz.



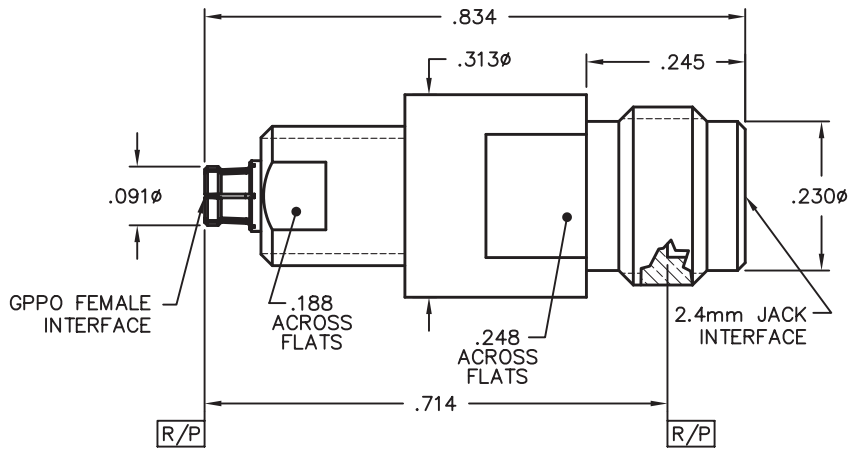
GPPO Female to 2.4mm Jack

Catalog Number

1B1C1-0501-01

VSWR (TYP)

1.10:1 to 18 GHz, 1.20:1 to 40 GHz



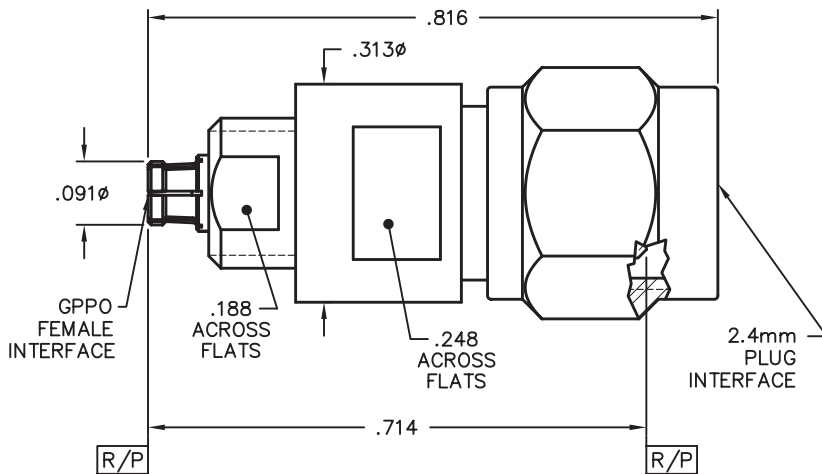
GPPO Female to 2.4mm Plug

Catalog Number

1B1C2-0501-01

VSWR (TYP)

1.20:1 to 26.5 GHz, 1.30:1 to 40 GHz



GPPO Male to 2.4mm Plug

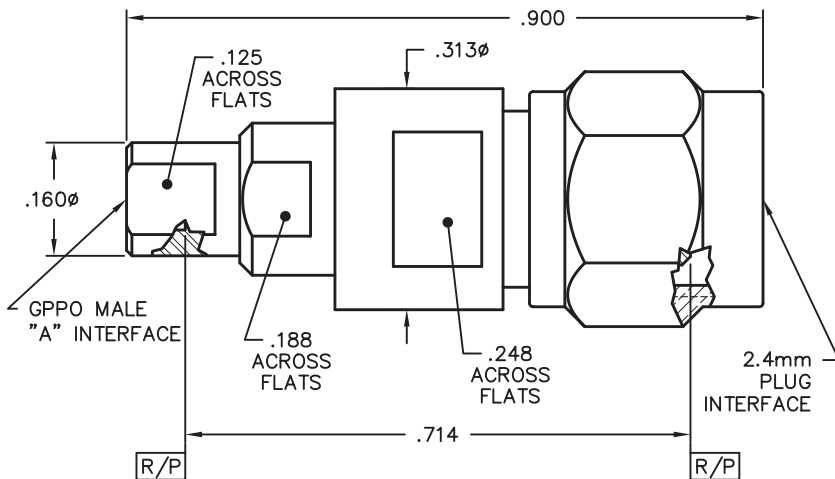
Catalog Number A

1B3C2-0503-01 FD

1B5C2-0503-01 SB

VSWR (TYP)

1.20:1 to 26.5 GHz, 1.30:1 to 40 GHz



GPPO Between Series Adapters

GPPO Male to 2.4mm Jack

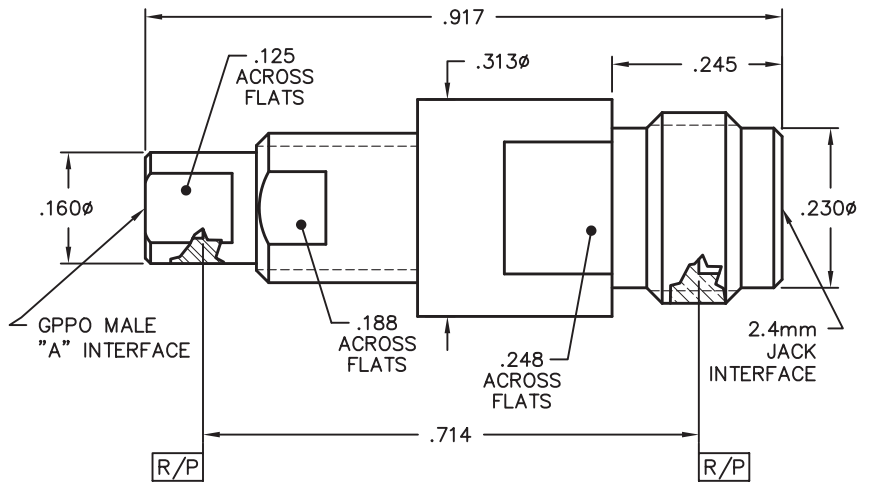
Catalog Number A

1B3C1-0503-01 FD

1B5C1-0503-01 SB

VSWR (TYP)

1.20:1 to 26.5 GHz, 1.30:1 to 40 GHz



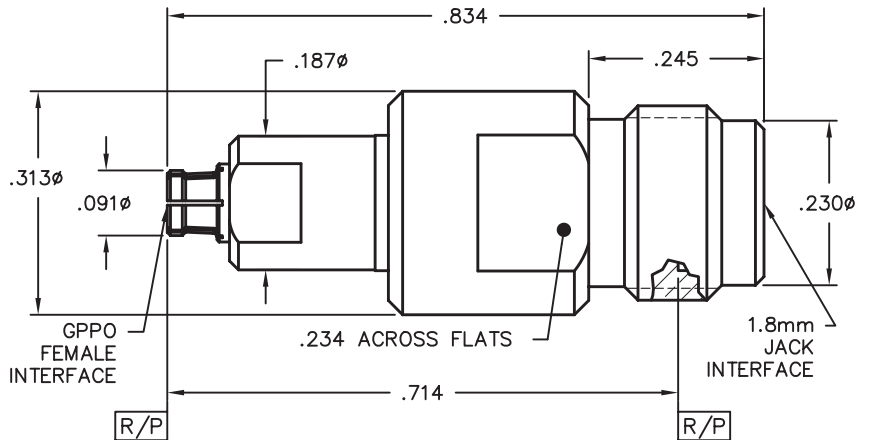
GPPO Female to 1.85mm Jack

Catalog Number

1B1M1-0509-01

VSWR (TYP)

1.20:1 to 26.5 GHz, 1.35:1 to 50 GHz



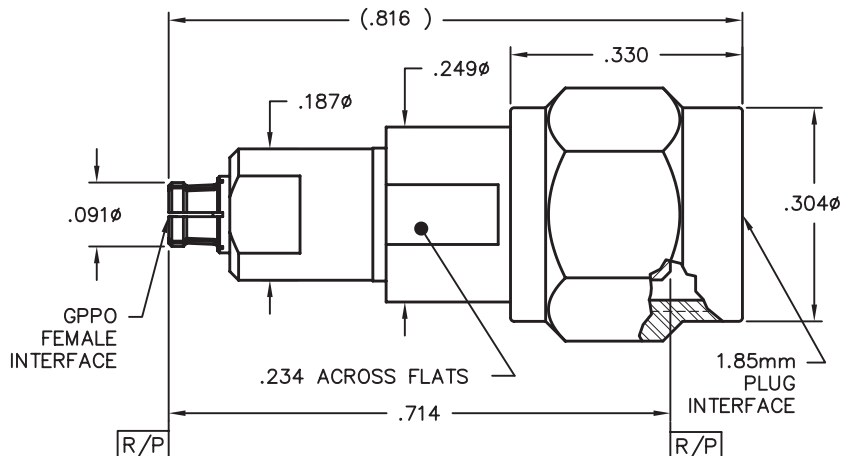
GPPO Female to 1.85mm Plug

Catalog Number

1B1M2-0509-01

VSWR (TYP)

1.20:1 to 26.5 GHz, 1.40:1 to 50 GHz



GPPO Male to 1.85mm Jack

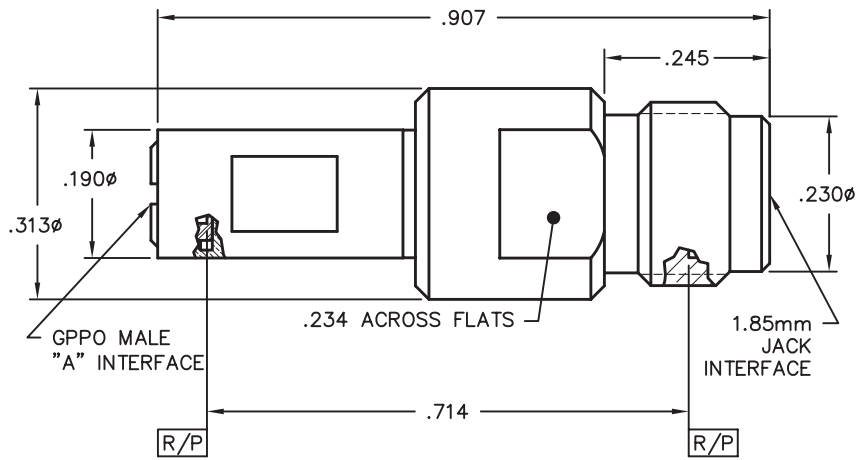
Catalog Number A

1B3M1-0509-01 FD

1B5M1-0509-01 SB

VSWR (TYP)

1.20:1 to 26.5 GHz, 1.40:1 to 50 GHz



GPPO Male to 1.85mm Plug

Catalog Number A

1B3M2-0509-01 FD

1B5M2-0509-01 SB

VSWR (TYP)

1.20:1 to 26.5 GHz, 1.40:1 to 50 GHz

