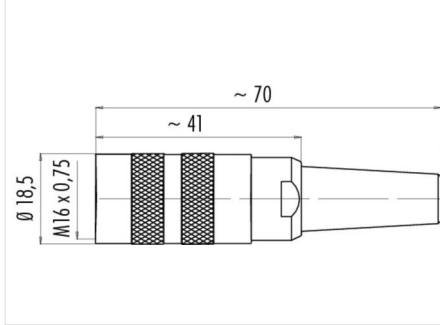


Product **Polzahl: 7, Kabeldose mit Kabelklemme, schirmbar, Kabeldurchlass 4 - 6 mm, versilberte Kontakte**
 Area **M16 IP40 Series 581**
 Article number **99 2026 10 07**

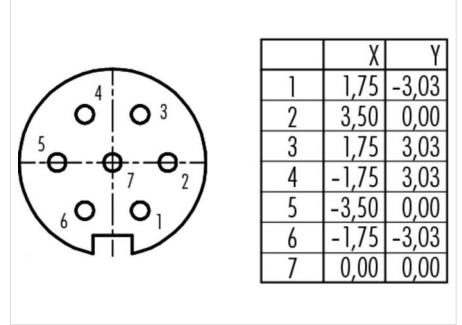
Illustration



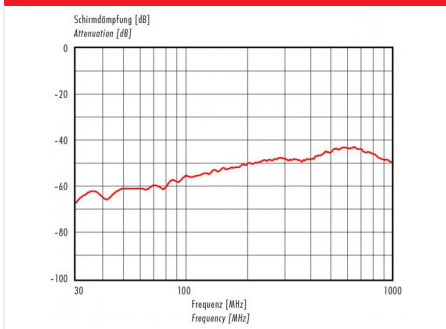
Scale drawing



Contact Arrangement



Attenuation characteristics



You can find the item description on the next page.

Technical data

General features

Connector Design	Female cable connector
Connector locking system	bolted
Termination	solder
Wire gauge (mm)	0,75 mm ²
Wire gauge (AWG)	20
Cable outlet	4 – 6 mm
Upper temperature	85 °C
Lower temperature	-40 °C

Electrical parameters

Rated voltage	125 V
Rated impulse voltage	800 V
Pollution degree	1
Overvoltage category	I
Material group	III
Rated current (40°C)	5 A
Volume resistivity	≤ 5 mΩ
EMV compliance	shieldable
Degree of protection	IP40

Material

Material of contact	CuSn (Bronze)
Contact plating	Ag (silver)
Material of contact body	PBT (UL 94 V-0)

Product	Polzahl: 7, Kabeldose mit Kabelklemme, schirmbar, Kabeldurchlass 4 - 6 mm, versilberte Kontakte
Area	M16 IP40 Series 581
Article number	99 2026 10 07

Item description

