



- A PART OF ADDTECH GROUP

## DATA SHEET

|            |            |
|------------|------------|
| Customer:  |            |
| Ref.:      |            |
| Order:     |            |
| Motor:     |            |
| Serial nr: |            |
| Date:      | 11-07-2018 |

### ASYNCHRONOUS MOTOR 4A 100L-2

#### Nameplate data:

Code: 112870

|       |           |           |       |      |      |                      |      |            |
|-------|-----------|-----------|-------|------|------|----------------------|------|------------|
| Type: | 4A 100L-2 |           |       | IP55 | F/B  | Amb. temp.: Max. 45° |      |            |
| kW    | Hz        | V         | A     | Rpm  | Cos  | Eff. 100%            | Duty | IE.class   |
| 3,00  | 50        | 220-240 D | 10,47 | 2860 | 0,87 | 82,6%                | S1   | IE1-(Eff2) |
| 3,00  | 50        | 380-415 Y | 6,02  | 2860 | 0,87 | 82,6%                |      |            |
| 3,60  | 60        | 440-480 Y | 6,28  | 3432 | 0,87 | 82,6%                |      |            |

#### Description:

|                     |            |
|---------------------|------------|
| Mounting form:      | B5         |
| Bearing DE:         | 6206-2Z/C3 |
| Bearing NDE:        | 6206-2Z/C3 |
| Weight - Kg.:       | 21         |
| Heater:             | No Heater  |
| PTC:                | No PTC     |
| Kgm <sup>2</sup> :  | 0,0109     |
| Sound press.-db(A): | 63,0       |

#### Other:

|  |  |
|--|--|
|  |  |
|  |  |
|  |  |
|  |  |
|  |  |
|  |  |
|  |  |
|  |  |
|  |  |
|  |  |

#### Test data S1-duty, Amb.temp 40°C:

|                                      |      |
|--------------------------------------|------|
| Voltage - V:                         | 400  |
| Frequency - Hz:                      | 50   |
| Power - kW:                          | 3,00 |
| Full load speed - Rpm:               | 2860 |
| Full load current - A:               | 6,02 |
| Full load power factor - Cos:        | 0,87 |
| Locked rotor current - A:            | 45,2 |
| Locked rotor factor - $A_{st}/A_n$ : | 7,5  |

|  |       |
|--|-------|
| Efficiency 100% load - %:                | 82,6% |
| Efficiency 75% load - %:                 |       |
| Efficiency 50% load - %:                 |       |
| Full load torque - Nm:                   | 10,0  |
| Locked rotor torque - Nm:                | 23,0  |
| Locked rotor torque - $Nm_{st}/Nm_n$ :   | 2,3   |
| Max. Pull out torque - Nm:               | 22,0  |
| Max. Pull out torque. - $Nm_{st}/Nm_n$ : | 2,2   |

| Over load/speed test      | kW   | Hz | V                     | A    | Rpm  |
|---------------------------|------|----|-----------------------|------|------|
| Over load 160% - 15sec.   | 4,80 | 50 | 400                   | 9,63 | 2860 |
| Over speed 125% - 2 min.  | 3    | 63 | 400                   | 6,02 | 3575 |
| H-Pot test voltage: 1800V |      |    | Temp. rise in stator: |      |      |

The motor is produced in accordance with following harmonized standards:

IEC60034-1, IEC60034-2, IEC60034-5, IEC60034-6, IEC60034-7, IEC60034-8, IEC60034-9  
IEC60034-12, IEC60034-14, IEC60034-30, IEC60072.

Additional specifications in accordance with:

RINA - GL - LRS - BV - DNV - ABS - KR - RR - CCS - CCC - RMRS.

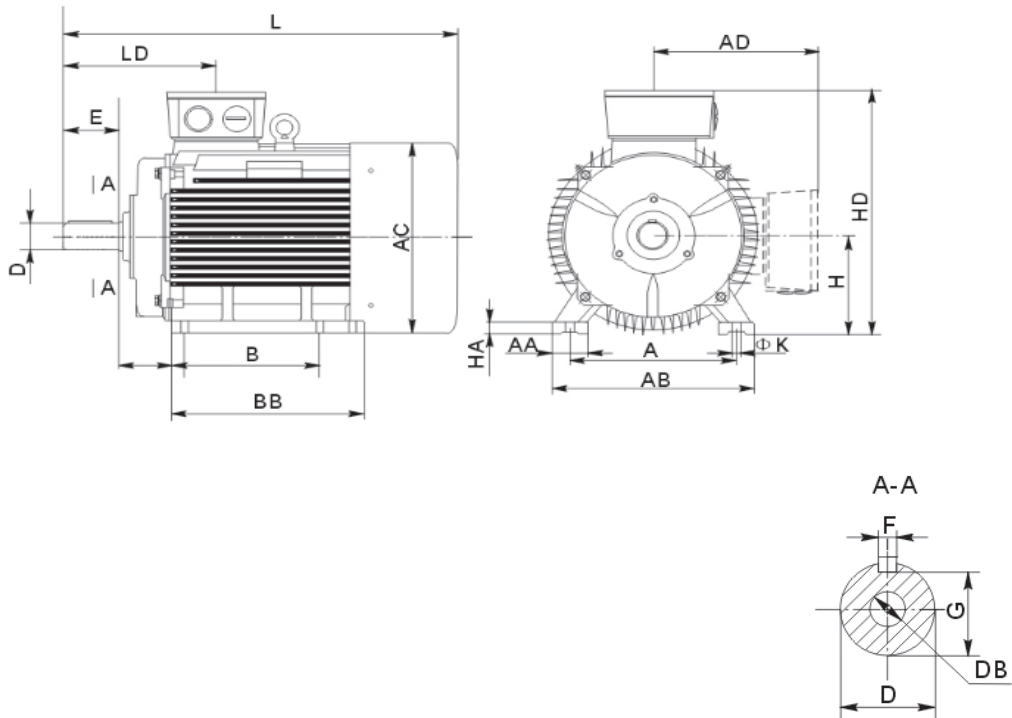


- A PART OF ADDTECH GROUP

## DATA SHEET

|            |            |
|------------|------------|
| Customer:  |            |
| Ref.:      |            |
| Order:     |            |
| Motor:     |            |
| Serial nr: |            |
| Date:      | 11-07-2018 |

### Foot mounted motor 4A 100L-2 B3



|         |             |         |
|---------|-------------|---------|
| A: 160  | HD: 260     | E: 60   |
| B: 140  | C: 63       | D: 28   |
| AB: 205 | H: 100      | G: 24   |
| AC: 215 | K: 12       | DB: M10 |
| AD: 160 | L: 385      | F: 8    |
|         | L (V1): 435 |         |

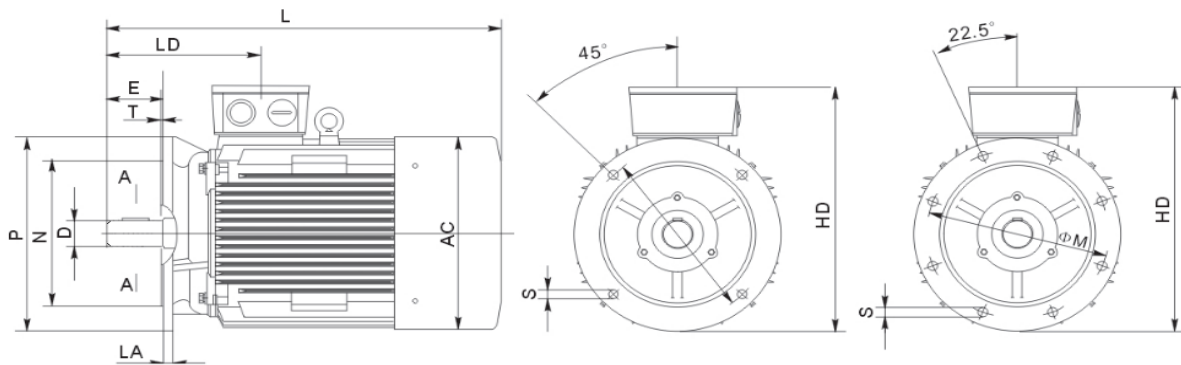


- A PART OF ADDTECH GROUP

## DATA SHEET

|            |            |
|------------|------------|
| Customer:  |            |
| Ref.:      |            |
| Order:     |            |
| Motor:     |            |
| Serial nr: |            |
| Date:      | 12-07-2018 |

### Flange mounted motor 4A 100L-2 B5 (V1)



M: 215  
N: 180  
P: 250  
S: 15

HD: 260  
L: 385  
L (V1): 435

E: 60  
D: 28  
G: 24  
DB: M10  
F: 8

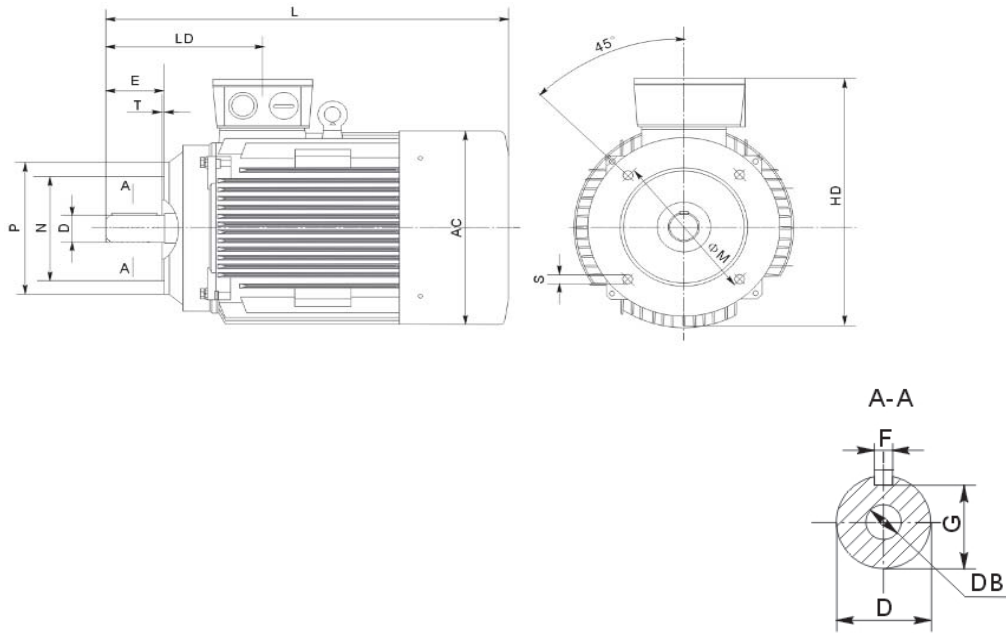


- A PART OF ADDTECH GROUP

## DATA SHEET

|            |            |
|------------|------------|
| Customer:  |            |
| Ref.:      |            |
| Order:     |            |
| Motor:     |            |
| Serial nr: |            |
| Date:      | 11-07-2018 |

### Flange mounted motor B14A & B14B



| Flange type: | B14A | B14B |         |     |
|--------------|------|------|---------|-----|
| M:           | 130  | 165  | HD:     | 260 |
| N:           | 110  | 130  | L:      | 385 |
| P:           | 160  | 200  | L (V1): | 435 |
| S:           | M8   | M10  | E:      | 60  |
|              |      |      | D:      | 28  |
|              |      |      | G:      | 24  |
|              |      |      | DB:     | M10 |
|              |      |      | F:      | 8   |

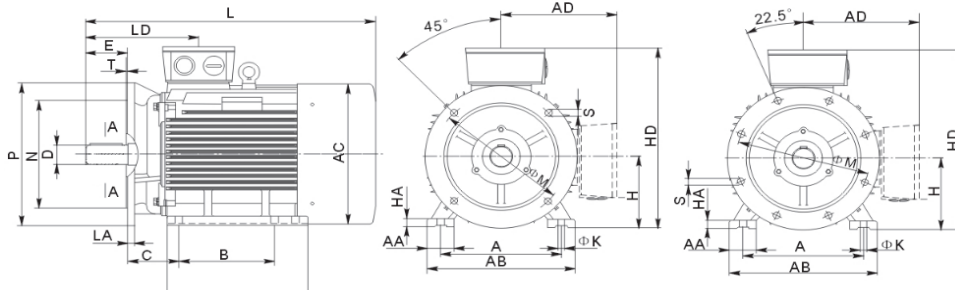


- A PART OF ADDTECH GROUP

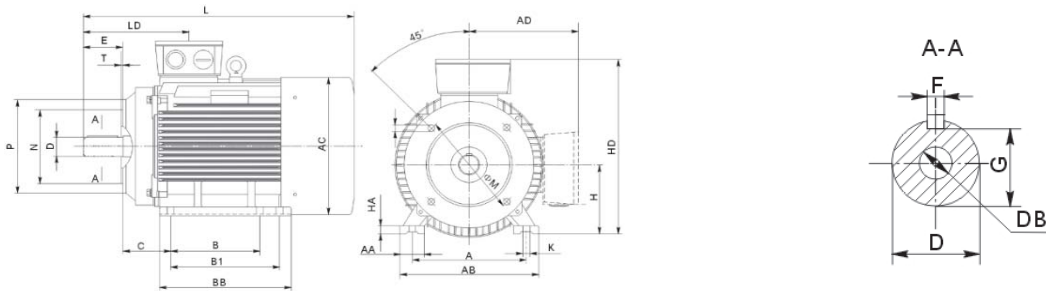
## DATA SHEET

|            |            |
|------------|------------|
| Customer:  |            |
| Ref.:      |            |
| Order:     |            |
| Motor:     |            |
| Serial nr: |            |
| Date:      | 11-07-2018 |

### Foot & flange mounted motor B3/B5



### B3/B14A & B3/B14B



#### Flange type: B5

M: 215  
N: 180  
P: 250  
S: 15

A: 160  
B: 140  
AB: 205  
AC: 215  
AD: 160

#### B14A

M: 130  
N: 110  
P: 160  
S: M8

HD: 260  
C: 63  
H: 100  
K: 12  
L: 385

L (V1): 435

#### B14B

M: 165  
N: 130  
P: 200  
S: M10

E: 60  
D: 28  
G: 24  
DB: M10  
F: 8