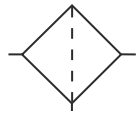


Afterfilter A18

= "Most Popular"



Afterfilter



A18-02-BK00

B

Filters, Regulators, Lubricators

Features

- Modern Design and Appearance
- 0.5 Micron Element
- Light Weight
- High Flow Capacity with Minimal Pressure Drop

Specifications

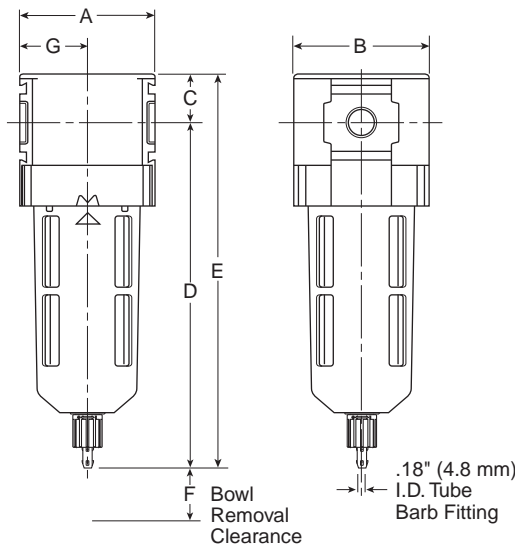
Flow Capacity*	1/4	50 SCFM (23.6 dm ³ /s)
	3/8	60 SCFM (28.3 dm ³ /s)
	1/2	67 SCFM (31.6 dm ³ /s)
Maximum Supply Pressure	Plastic Bowl	150 PSIG (10.3 bar)
	Metal Bowl	250 PSIG (17.2 bar)
Operating Temperature	Plastic Bowl	-13° to 125°F (-25° to 52°C)
	Metal Bowl	-13° to 150°F (-25° to 65.5°C)
Port Size	NPT / BSPP-G	1/4, 3/8, 1/2
Standard Filtration	0.5 Micron	
Weight	1.1 lb. (0.5 kg)	

* Inlet pressure 150 PSIG (10.3 bar). Pressure drop 3 PSID (0.2 bar).

"A18" Series Afterfilters, with Type "B" 0.5 micron elements:
All Wilkerson Type "AF" Afterfilters with Type "B" 0.5 micron elements **exceed ISO** Class 2 for maximum particle size and concentration of solid contaminants, and **exceed** Class 3 on maximum oil content (ppm/wt).

Materials of Construction

Body	Zinc	
Body Cap	ABS	
Bowls	Plastic Bowl	Polycarbonate
	Metal Bowl	Aluminum
Filter Element	Type "B"	Borosilicate Fiber
Seals	Nitrile	
Sight Gauge	Metal Bowl	Nylon



Dimensions

Models	Inches (mm)	A	B	C	D	E	F	G
Standard Unit A18-XX-BK00		2.36 (60)	2.36 (60)	1.02 (26)	6.38 (162)	7.40 (188)	1.61 (41)	1.18 (30)
Metal Bowl with Sight Gauge / Manual Drain A18-XX-BL00		2.36 (60)	2.72 (69)	1.02 (26)	6.38 (162)	7.40 (188)	1.61 (41)	1.18 (30)

= "Most Popular"

Replacement Bowl Kits

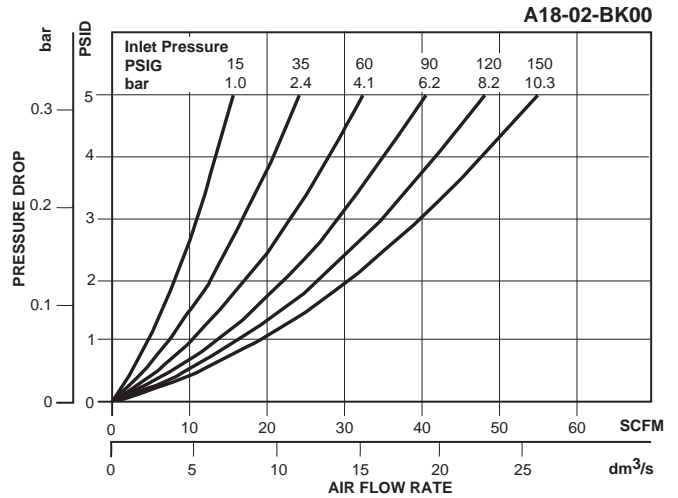
- Metal Bowl with Sight Gauge,
Manual Drain GRP-96-636
- Plastic Bowl / Bowl Guard,
Manual Drain GRP-96-634
- Plastic Bowl, Plastic Guard,
No Drain GRP-96-638

Replacement Element Kit

- Type "B", 0.5 Micron..... MSP-96-647

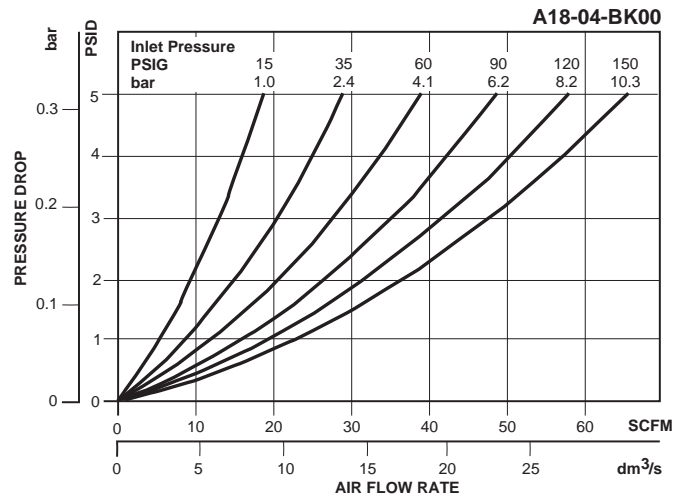
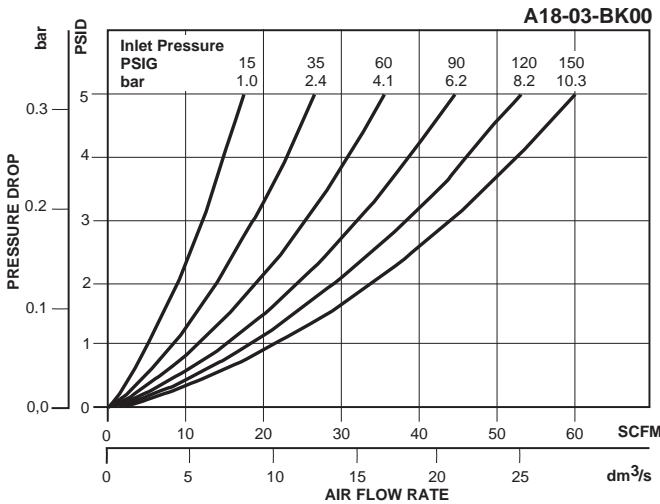
Accessories

- Wall Mounting Bracket –
- C-Type GPA-96-604
- T-Type GPA-96-602



B

Filters, Regulators, Lubricators



Ordering Information

Model Type	Port Size	Polycarbonate Bowl / Bowl Guard / "B" Element	Metal Bowl / Sight Gauge / "B" Element
Type "B" Element is Standard (Manual Drain)	1/4	A18-02-BK00	A18-02-BL00
	3/8	A18-03-BK00	A18-03-BL00
	1/2	A18-04-BK00	A18-04-BL00

Options - To order an option supplied with the unit model, add the appropriate coded suffix letter in the designated position of the model number.