

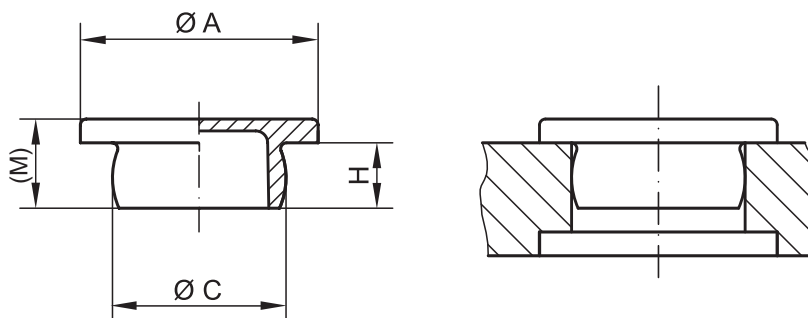
CLOSURE PLUGS

# GPN 300 F

Black/Natural

Watch the film now:

[poeppelmann.com/en/gpn300fs](http://poeppelmann.com/en/gpn300fs)  
[poeppelmann.com/en/gpn300fn](http://poeppelmann.com/en/gpn300fn)



**Standard colours:** Black/Natural

**Material:** PE-LD; PE-LLD (from GPN 300 F 52)



**More versatile.**

Multi functional use for internal threads and bore holes.



**Cleaner.**

Upon request, we can manufacture in the specially designed cleanroom in accordance with VDA Volume 19 and ISO 16232. For further information, please refer to page 129.



**Greater variety.**

The GPN 300 is available ex stock in black and also in natural. Please specify the desiRed colour when ordering.



**Better.**

Flat-headed design. Firm fit due to crowned shank.

**Dimensions**

**Order no.**

item	Dimensions				Order no.	
	A	C	H	(M)	Black	Natural
GPN 300 F 1	5	3.1	2	3	300 0001 9500	300 0001 0000
GPN 300 F 011	7	4.7	1.8	2.6	300 0110 9500	300 0110 0000
GPN 300 F 012	9	6.6	4	5.2	300 0120 9500	300 0120 0000
GPN 300 F 2	14	7.2	6	8	300 0002 9500	300 0002 0000
GPN 300 F 3	14	8.4	6	8	300 0003 9500	300 0003 0000
GPN 300 F 031	14	8.6	4.5	6.5	300 0310 9500	300 0310 0000
GPN 300 F 0315	18	8.6	6	8	300 0315 9500	300 0315 0000
GPN 300 F 032	13	8.8	7.5	9.5	300 0320 9500	300 0320 0000
GPN 300 F 4	14	9.2	4.5	6.5	300 0004 9500	300 0004 0000
GPN 300 F 041	14	9.4	4.5	6.5	300 0041 9500	300 0041 0000
GPN 300 F 042	13	10.3	5.5	7.5	300 0420 9500	300 0420 0000
GPN 300 F 5	14	10.7	5.5	7.5	300 0005 9500	300 0005 0000
GPN 300 F 7	16	11.7	7	9	300 0007 9500	300 0007 0000
GPN 300 F 9	16	12.3	7	9	300 0009 9500	300 0009 0000
GPN 300 F 091	16	13	7	9	300 0091 9500	300 0091 0000
GPN 300 F 10	20	13.7	8	10	300 0010 9500	300 0010 0000
GPN 300 F 11	20	14.6	5.5	7.5	300 0011 9500	300 0011 0000
GPN 300 F 111	20	15	8	10	300 0111 9500	300 0111 0000
GPN 300 F 112	20	15	5.5	7.5	300 0112 9500	300 0112 0000
GPN 300 F 12	20	15.6	8	10	300 0012 9500	300 0012 0000
GPN 300 F 14	22	16.7	5.5	7.5	300 0014 9500	300 0014 0000
GPN 300 F 141	22	16.5	5.5	7.5	300 0141 9500	300 0141 0000
GPN 300 F 142	20	16.5	5.5	7.5	300 0142 9500	300 0142 0000
GPN 300 F 15	22	17.1	8	10.5	300 0015 9500	300 0015 0000
GPN 300 F 17	25	18.4	8	10.5	300 0017 9500	300 0017 0000
GPN 300 F 18	25	19.3	8	10.8	300 0018 9500	300 0018 0000
GPN 300 F 181	25	21.4	7.5	9.5	300 0181 9500	300 0181 0000
GPN 300 F 182	25	21.7	8	10.5	300 0182 9500	300 0182 0000
GPN 300 F 183	25	19.6	8	10.5	300 0183 9500	300 0183 0000
GPN 300 F 184	25	21.2	8	10	300 0184 9500	300 0184 0000
GPN 300 F 19	25	20.7	8	10.5	300 0019 9500	300 0019 0000
GPN 300 F 21	28	22.4	9	12	300 0021 9500	300 0021 0000
GPN 300 F 211	28	23.6	9	12	300 0211 9500	300 0211 0000
GPN 300 F 22	28	24	9	12	300 0022 9500	300 0022 0000
GPN 300 F 23	28	24.6	9	12	300 0023 9500	300 0023 0000
GPN 300 F 231	27	24.5	8.5	11	300 0231 9500	300 0231 0000
GPN 300 F 232	28	25.5	7.5	9.5	300 0232 9500	300 0232 0000
GPN 300 F 233	28	26.5	9	12	300 0233 9500	300 0233 0000
GPN 300 F 24	36	29	12	15	300 0024 9500	300 0024 0000
GPN 300 F 241	36	30.5	12	15	300 0241 9500	300 0241 0000
GPN 300 F 242	36	31	12	15	300 0242 9500	300 0242 0000
GPN 300 F 25	36	32	10	12.5	300 0025 9500	300 0025 0000
GPN 300 F 26	36	33.5	12	14	300 0026 9500	300 0026 0000
GPN 300 F 27	42	34.8	15	18	300 0027 9500	300 0027 0000
GPN 300 F 271	42	35.5	15	18	300 0271 9500	300 0271 0000
GPN 300 F 28	42	36.5	15	18	300 0028 9500	300 0028 0000

Size in mm

» Continued on page 66

For information regarding materials, colours, drawings and the use of our items, please refer to pages 124/125.

You might also be interested in the following products: GPN 350, GPN 600, GPN 615

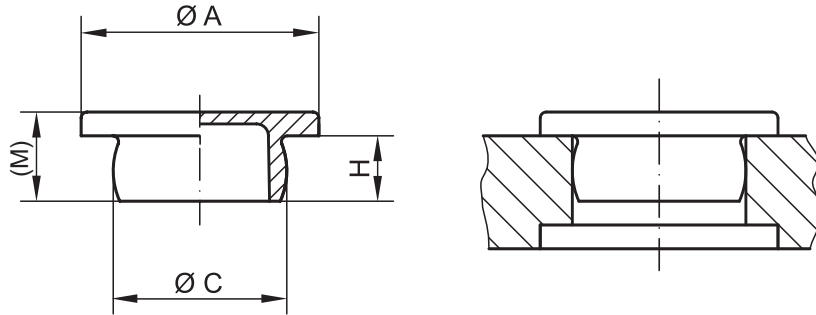
CLOSURE PLUGS

# GPN 300 F

Black/Natural

Watch the film now:

[poeppelmann.com/en/gpn300fs](http://poeppelmann.com/en/gpn300fs)  
[poeppelmann.com/en/gpn300fn](http://poeppelmann.com/en/gpn300fn)



« Continued from page 65



**Standard colours:** Black/Natural

**Material:** PE-LD; PE-LLD (from GPN 300 F 52)

**Dimensions**

**Order no.**

item	Dimensions				Order no.	
	A	C	H	(M)	Black	Natural
GPN 300 F 30	42	38.4	10	12.5	300 0030 9500	300 0030 0000
GPN 300 F 301	42	39	15	18	300 0301 9500	300 0301 0000
GPN 300 F 31	42	40	15	18	300 0031 9500	300 0031 0000
GPN 300 F 311	45	40.7	15	18	300 0311 9500	300 0311 0000
GPN 300 F 312	48	42.3	15	18	300 0312 9500	300 0312 0000
GPN 300 F 32	55	46	18	21	300 0032 9500	300 0032 0000
GPN 300 F 33	55	48.5	12	15	300 0033 9500	300 0033 0000
GPN 300 F 35	55	51.5	18	21	300 0035 9500	300 0035 0000
GPN 300 F 37	63	55	18	21	300 0037 9500	300 0037 0000
GPN 300 F 38	63	55.8	18	21	300 0038 9500	300 0038 0000
GPN 300 F 40	63	58	18	21	300 0040 9500	300 0040 0000
GPN 300 F 401	71	66	18	21.5	300 0401 9500	300 0401 0000
GPN 300 F 402	63	59	18	21.3	300 0402 9500	300 0402 0000
GPN 300 F 41	78	71	18	22	300 0410 9500	300 0410 0000
GPN 300 F 411	86	75.8	19	22	300 0411 9500	300 0411 0000
GPN 300 F 42	95	86	18	19.3	300 0042 9500	300 0042 0000
GPN 300 F 44	124	102.5	18	21.5	300 0044 9500	300 0044 0000
GPN 300 F 47	152	123.5	18	21.5	300 0047 9500	300 0047 0000
GPN 300 F 52	165	152	17.5	20	300 0052 9500	300 0052 0000
GPN 300 F 55	200	182	19.5	22	300 0055 9500	300 0055 0000

Size in mm

» Guide values for use can be found on page 68



**More versatile.**

Multi functional use for internal threads and bore holes.



**Cleaner.**

Upon request, we can manufacture in the specially designed cleanroom in accordance with VDA Volume 19 and ISO 16232. For further information, please refer to page 129.



**Greater variety.**

The GPN 300 is available ex stock in black and also in natural. Please specify the desired colour when ordering.



**Better.**

Flat-headed design. Firm fit due to crowned shank.

For information regarding materials, colours, drawings and the use of our items, please refer to pages 124/125.

You might also be interested in the following products: GPN 350, GPN 600, GPN 615

# GPN 300



F-Type



V-Type



**Better.**

When selecting these sealing plugs, please note that the shaft diameter C must be approx. 0.2 to 0.8 mm (depending on the nominal size) larger than the bore hole to be protected or the core diameter of the thread to be closed.

## Application Guide

Standard thread	Metric threads		Pipe thread	item	
	Finde thread			F-Type	V-Type
M 3.5				GPN 300 F 1	
	M 5 × 0.5			GPN 300 F 011	
M 7					GPN 300 V 011
	M 7.5 × 1			GPN 300 F 012	
M 8	M 8 × 1		1/16	GPN 300 F 2	GPN 300 V 2
	M 9 × 1			GPN 300 F 3	GPN 300 V 3
M 10				GPN 300 F 031	GPN 300 V 031
M 10				GPN 300 F 0315	
M 10	M 9.5 × 1		1/8	GPN 300 F 032	
	M 10 × 1		1/8	GPN 300 F 4	GPN 300 V 4
	M 10 × 1			GPN 300 F 041	GPN 300 V 041
M 12	M 11 × 1			GPN 300 F 042	
M 12	M 12 × 1.5			GPN 300 F 5	GPN 300 V 5
	M 12 × 1	M 13 × 1.5	1/4	GPN 300 F 7	GPN 300 V 7
M 14	M 13 × 1		1/4	GPN 300 F 9	GPN 300 V 9
	M 13.5 × 1	M 14 × 1.5		GPN 300 F 091	GPN 300 V 091
		M 15 × 1.5		GPN 300 F 10	GPN 300 V 10
M 16	M 15 × 1			GPN 300 F 11	GPN 300 V 11
	M 16 × 1.5			GPN 300 F 111	GPN 300 V 111
	M 16 × 1.5			GPN 300 F 112	GPN 300 V 112
M 18	M 16 × 1		3/8	GPN 300 F 12	GPN 300 V 12
	M 18 × 1.5			GPN 300 F 14	GPN 300 V 14
	M 17 × 1	M 18 × 1.5		GPN 300 F 141	
	M 17 × 1	M 18 × 1.5		GPN 300 F 142	GPN 300 V 142
	M 18 × 1.5			GPN 300 F 15	GPN 300 V 15
	M 19 × 1	M 20 × 2		GPN 300 F 17	GPN 300 V 17
	M 20 × 1	M 21 × 2	1/2	GPN 300 F 18	GPN 300 V 18
M 24	M 22 × 1			GPN 300 F 181	GPN 300 V 181
	M 22 × 1			GPN 300 F 182	GPN 300 V 182
M 22	M 21 × 1.5			GPN 300 F 183	GPN 300 V 183
M 24	M 22 × 1		5/8	GPN 300 F 184	GPN 300 V 184
	M 22 × 1.5			GPN 300 F 19	GPN 300 V 19
	M 23 × 1	M 24 × 2		GPN 300 F 21	GPN 300 V 21
	M 24 × 1	M 25 × 1.5		GPN 300 F 211	GPN 300 V 211
M 27	M 25 × 1.5			GPN 300 F 22	GPN 300 V 22
	M 25 × 1	M 26 × 1.5		GPN 300 F 23	GPN 300 V 23
M 25	M 25 × 1		3/4	GPN 300 F 231	GPN 300 V 23
	M 26 × 1			GPN 300 F 232	GPN 300 V 232
M 30	M 27 × 1			GPN 300 F 233	GPN 300 V 233
	M 30 × 1.5			GPN 300 F 24	GPN 300 V 24
	M 31 × 1	M 32 × 2	1	GPN 300 F 241	GPN 300 V 241
	M 32 × 1.5		1	GPN 300 F 242	
M 36	M 33 × 1.5			GPN 300 F 25	GPN 300 V 25
	M 34 × 1	M 35 × 2		GPN 300 F 26	GPN 300 V 26
	M 36 × 1.5			GPN 300 F 27	GPN 300 V 27
M 39	M 36 × 1		1 1/8	GPN 300 F 271	GPN 300 V 271
	M 37 × 1	M 38 × 2		GPN 300 F 28	GPN 300 V 28
	M 39 × 1	M 40 × 2		GPN 300 F 30	GPN 300 V 30
	M 40 × 1.5			GPN 300 F 301	GPN 300 V 301
M 45	M 42 × 1.5			GPN 300 F 311	GPN 300 V 311
				GPN 300 F 312	GPN 300 V 312
				GPN 300 F 32	
				GPN 300 F 33	GPN 300 V 33
	M 52 × 1		1 3/4	GPN 300 F 35	GPN 300 V 35
	M 56 × 1.5			GPN 300 F 37	GPN 300 V 37
	M 56 × 1			GPN 300 F 38	GPN 300 V 38
M 64				GPN 300 F 40	GPN 300 V 40
				GPN 300 F 401	GPN 300 V 401
	M 60 × 1.5			GPN 300 F 402	
	M 72 × 1.5			GPN 300 F 41	GPN 300 V 41
				GPN 300 F 42	
				GPN 300 F 44	
				GPN 300 F 47	
				GPN 300 F 52	
				GPN 300 F 55	

« F type dimensions from page 65; V type dimensions from page 67

This application table is a guide only. We would be happy to send you free samples for testing.