

Serie Protection

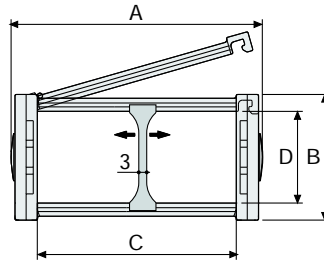
435PU

Replace 435PI/PE Series

Nylon Protection Cable Chain with opening covers

Inner height (D) 35 mm

Sideband & Frame construction with large anti-friction single-pin. Vertical separators are available.



Separator

- Unassembled	Part.no S4353
- Assembled	Part.no S4353MC

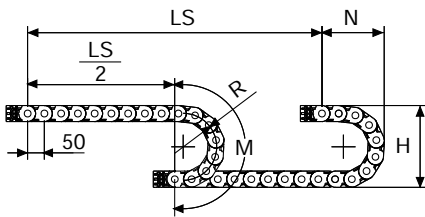
Pin

Part.no PG4353

Technical characteristics when self-supported

Speed	10 m/s
Acceleration	50 m/s ²

For higher requirements please consult our technical dept.



Length of chain (L)

Half travel distance ($\frac{LS}{2}$)

plus length of curve (M)

$$L = \frac{LS}{2} + M$$

A	B	C	D	R	Weight/m	Chain
mm	mm	mm	mm	mm	kg	Part Number
60	49	40	35	075-100-125-150-200	1,25	435PU040 □□□ *
70	49	50	35	075-100-125-150-200	1,40	435PU050 □□□ *
80	49	60	35	075-100-125-150-200	1,45	435PU060 □□□ *
96	49	76	35	075-100-125-150-200	1,60	435PU076 □□□ *
117	49	97	35	075-100-125-150-200	1,75	435PU097 □□□ *
123	49	103	35	075-100-125-150-200	1,90	435PU103 □□□ *
145	49	125	35	075-100-125-150-200	2,10	435PU125 □□□ *
170	49	150	35	075-100-125-150-200	2,35	435PU150 □□□ *

*Complete the code by inserting the value of the radius (R): Ex. 435PU040 □ □ □ □

R	H	N	M
mm	mm	mm	mm
075	199	155	340
100	249	175	415
125	299	200	495
150	349	230	575
200	449	275	730

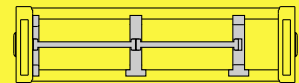


**NEW
CHAIN**

Serie Protection

435PU

**Nylon Protection
Cable Chain with
opening covers**

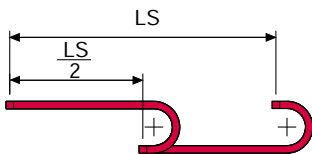
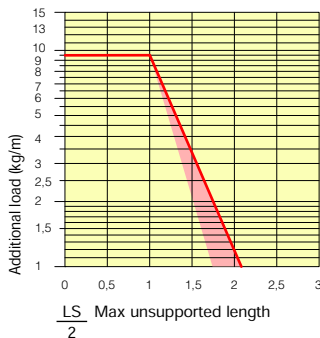


Separation System
To choose the separators see
page. 198

3

Self-Supporting Capacity Diagram

The maximum length of the self-supporting capacity ($\frac{LS}{2}$) in relationship to the weight of the cables and hoses contained per linear metre.



The red marking in the diagram area considers the difference of weight between various widths of chain.

For applications with $\frac{LS}{2}$ and weights not included in the area of the diagram showing self-supporting capacity, verify the possible use of support rollers (see page 30).

End Brackets

The end brackets set allows the two ends of the chain to be attached to the equipment. Set complete with tiewrap clamps available on request.

Nylon Type

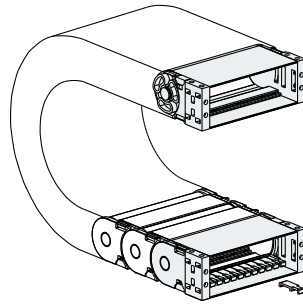


Fig. A
The chain can be fixed frontally, inner or outer radius. (Fig A)

Nylon Type

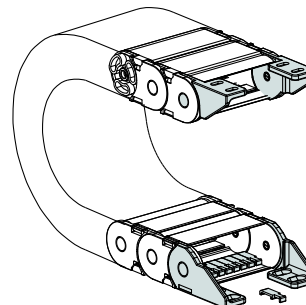
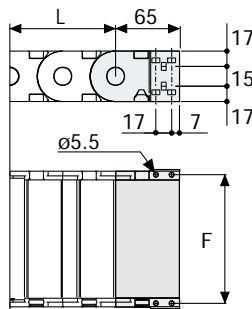


Fig. B
Chain fixed outside the radius. (Fig B)
See end brackets mounting variations page 31



Chain Type	F mm
435PU040	51
435PU050	61
435PU060	71
435PU076	87
435PU097	108
435PU103	114
435PU125	136
435PU150	161

Nylon Type Part Numbers

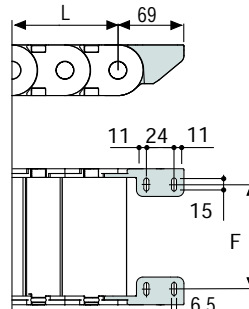
Complete Set Assembled
AN435P□□□*KM

Complete Set Unassembled
AN435P □□□*K

Tiewrap Clamp Part Number

Complete Set Assembled
CFC435M □□□*KM

Complete Set Unassembled
CFC435M □□□*K



Chain Type	F mm
435PU040	26,5
435PU050	36,5
435PU060	46,5
435PU076	62,5
435PU097	83,5
435PU103	89,5
435PU125	111,5
435PU150	136,5

Nylon Type Part Numbers

Complete Set Assembled
AN435KM□****

Complete Set Unassembled
AN435K □****

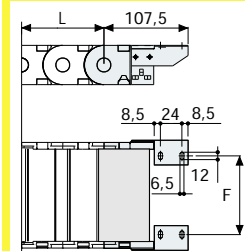
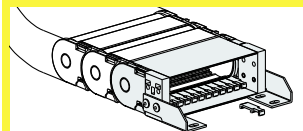
Tiewrap Clamp Part Number

Complete Set Assembled
CFC435M□□□*KM

Complete Set Unassembled
CFC435M□□□*K

****1=Pos.1; 2=Pos.2; 3=Pos.3
5=Pos.5; 6=Pos.6

Bright Zinc Plated Steel Type***



F = A-30

Bright Zinc Plated Steel Type Part Numbers

Complete Set Assembled
A435P□□□*KM□**

Complete Set Unassembled
A435P□□□*K□**

Tiewrap Clamp Part Number

Complete Set Assembled
CFC435M□□□*KM

Complete Set Unassembled
CFC435M□□□*K

* Inner width (C)

** 1=Pos.1; 2=Pos.2; 3=Pos.3

*** Available on request in stainless steel