

# KEY LOCK CONTROL UNITS

series  
**DFP**

Protection	Gas	Zone	1-2	II2G	Ex d IIC or IIB+H <sub>2</sub> Gb
	Dusts	Zone	21-22	II2D	Ex tb IIIC Db

Grade of Protection	IP 66
---------------------	-------

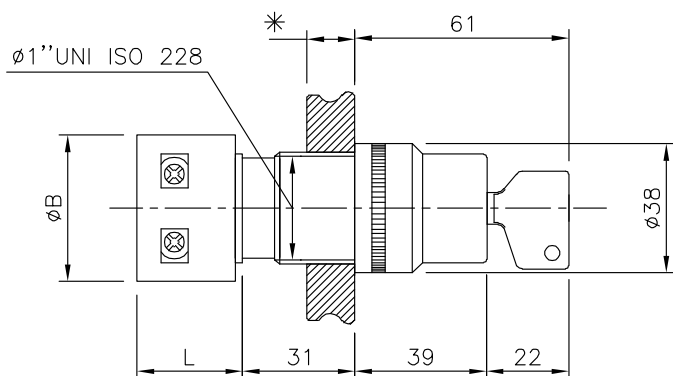
Amb. Temp.	Standard Extended	-20°C +40°C



Standards and Certificates

	Directive 2014/34/EU (ATEX)
	EN 60079-0 • EN 60079-1 • EN 60079-31
	U INERIS 14 ATEX 9009U
	IEC 60079-0 • IEC 60079-1 • IEC 60079-31
	IECEx INE 14.0023U

- For COELBO enclosures series CCA - CCF (see section B)
- Conceived to prevent tampering of the control of devices, allowing to operate them by authorized and key holder personnel only
- Body in Zinc plated brass
- Rings in Chrome plated brass
- Drive shaft in Stainless Steel



### Electrical data

- Current:  $I_{max} = 63$  A
- Voltage:  $V_{max} = 500$  V
- Frequency = 50/60 Hz

### NOTES

The control and signaling units get s a m e temperature class as the housing on which they are mounted.

Main function	ID letter(*)
Switch Pos. 0-1	-
Three position changeover switch (pos.1-0-2)	<b>C</b>
Two position changeover switch (pos.1-2)	<b>D</b>
Reverser switch (pos.1-0-2)	<b>R</b>
Connecting Switch (by diagram)	M - diagram code

These units shall be installed on enclosure with volume up to 160,6 dm<sup>3</sup> for group IIB+H<sub>2</sub> and up to 62,9 dm<sup>3</sup> for group IIC.

Size	Nominal current
<b>1</b>	10 A
<b>3</b>	16 A
<b>5</b>	25 A
<b>6</b>	32 A
<b>7</b>	40 A
<b>9</b>	63 A

These units may be mounted on electrical equipment suitable for group I-M2 (firedamp mines) if no component is made of light alloy. The resulting mode of protection will be Ex d I Mb.

Size	Nominal current (A)	ØB	L											Weight (g)
			Switch		Three position changeover switch			Two position changeover switch			Reverser switch			
			Polies n°		Poles n°			Poles n°			Poles n°			
1 - 3	<b>10 - 16</b>	43	32	44	32	44	56	32	44	56	32	44	56	510
5 - 6	<b>25 - 32</b>	58	34	48	34	48	62	34	48	62	34	48	62	560
7 - 9	<b>40 - 63</b>	58	56	84	-	-	-	-	-	-	-	-	-	610

The dimensions shown in the table refer to the K series of VANTAGGIMAURI. As alternative switches from other manufacturers may be used, but first check the dimensions and their adaptability.

(\*) See page B11 for CCA and page B21 for enclosures CCF

(°) Diagrams C - D - R - M are available up to size 6 (32 A).

### Example: DFP 743 / D

Order Coding

Type	Element	Number of Poles	Size	ID letter
<b>DFP = 1" unit</b>	<b>7 = key control</b>	<b>4 = 4 poles</b>	<b>3 = 16 A</b>	<b>D = switch</b>