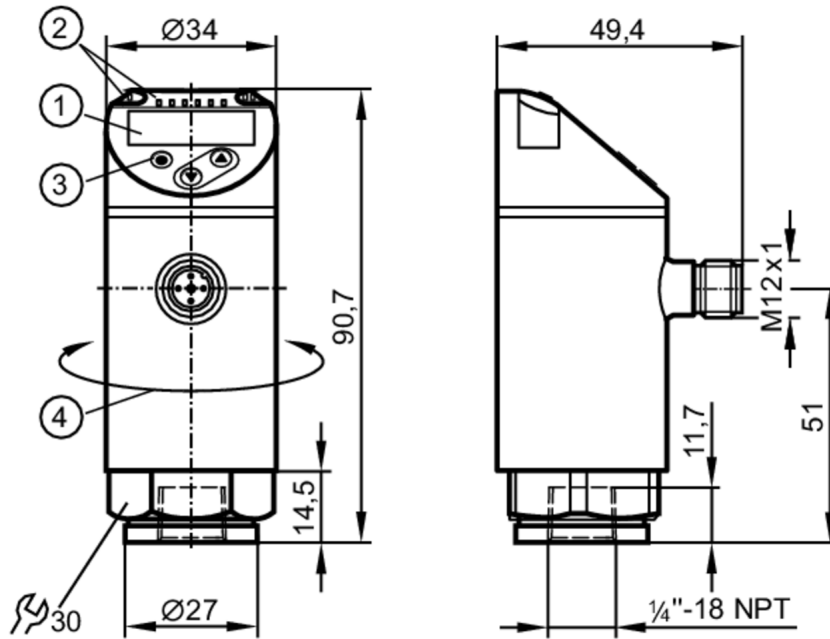


# PN2299



## Pressure sensor with display

PN-1-1BREN14-MFRKG/US/ IV



- 1 alphanumeric display 4-digit red/green
- 2 LEDs Display unit / Switching status
- 3 Programming button
- 4 upper part of the housing can be rotated 345°



### Product characteristics

Number of inputs and outputs	Number of digital outputs: 2; Number of analog outputs: 1					
Measuring range	-1...1 bar	-1000...1000 mbar	-14.5...14.5 psi	-29.5...29.5 inHg	-402...402 inH2O	-100...100 kPa
Process connection	threaded connection 1/4" NPT Internal thread					

### Application

System	gold-plated contacts					
Measuring element	ceramic-capacitive pressure measuring cell					
Application	for industrial applications					
Media	liquids and gases					
Medium temperature [°C]	-25...80					
Min. bursting pressure	30000 mbar	450 psi		3000 kPa		
Pressure rating	10000 mbar	145 psi		1000 kPa		
Vacuum resistance [mbar]	-1000					
Type of pressure	relative pressure; vacuum					
MAWP (for applications according to CRN)	20 bar	20000 mbar	290 psi	2000 kPa		

# PN2299



## Pressure sensor with display

PN-1-1BREN14-MFRKG/US/ IV

Electrical data							
Operating voltage	[V]	18...30 DC; (to SELV/PELV)					
Current consumption	[mA]	< 35					
Min. insulation resistance	[MΩ]	100; (500 V DC)					
Protection class		III					
Reverse polarity protection		yes					
Power-on delay time	[s]	0.3					
Integrated watchdog		yes					
Inputs / outputs							
Number of inputs and outputs		Number of digital outputs: 2; Number of analog outputs: 1					
Outputs							
Total number of outputs		2					
Output signal		switching signal; analog signal; IO-Link; (configurable)					
Electrical design		PNP/NPN					
Number of digital outputs		2					
Output function		normally open / closed; (configurable)					
Max. voltage drop switching output DC	[V]	2					
Permanent current rating of switching output DC	[mA]	250					
Switching frequency DC	[Hz]	< 500					
Number of analog outputs		1					
Analog current output	[mA]	4...20; (scalable 1:5)					
Max. load	[Ω]	500					
Analog voltage output	[V]	0...10; (scalable 1:5)					
Min. load resistance	[Ω]	2000					
Short-circuit protection		yes					
Type of short-circuit protection		yes (non-latching)					
Overload protection		yes					
Measuring/setting range							
Measuring range		-1...1 bar	-1000...1000 mbar	-14.5...14.5 psi	-29.5...29.5 inHg	-402...402 inH2O	-100...100 kPa
Analog start point		-1000...600 mbar	-14.5...8.7 psi	-29.5...17.7 inHg	-402...240 inH2O		-100...60 kPa
Analog end point		-600...1000 mbar	-8.7...14.5 psi	-17.7...29.5 inHg	-240...402 inH2O		-60...100 kPa
Factory setting / CMPT = 2							
Set point SP		-985...1000 mbar	-14.3...14.5 psi	-29.2...29.5 inHg	-396...402 inH2O		-98.5...100 kPa
Reset point rP		-995...990 mbar	-14.45...14.4 psi	-29.4...29.3 inHg	-400...398 inH2O		-99.5...99 kPa
Min. difference between SP and rP		10 mbar	0.15 psi	0.3 inHg	4 inH2O		1 kPa
In steps of		5 mbar	0.05 psi	0.1 inHg	2 inH2O		0.5 kPa

# PN2299



## Pressure sensor with display

PN-1-1BREN14-MFRKG/US/ IV

Status_B High Resolution / CMPT = 3					
Set point SP	-987...1000 mbar	-14.32...14.5 psi	-29.2...29.5 inHg	-396...401 inH2O	-98.7...100 kPa
Reset point rP	-996...992 mbar	-14.44...14.38 psi	-29.4...29.3 inHg	-400...398 inH2O	-99.6...99.2 kPa
Min. difference between SP and rP	9 mbar	0.12 psi	0.3 inHg	4 inH2O	0.9 kPa
In steps of	1 mbar	0.01 psi	0.1 inHg	1 inH2O	0.1 kPa
Accuracy / deviations					
Switch point accuracy [% of the span]	< ± 0,4; (Turn down 1:1)				
Repeatability [% of the span]	< ± 0,1; (with temperature fluctuations < 10 K; Turn down 1:1)				
Characteristics deviation [% of the span]	< ± 0,25 (BFSL) / < ± 0,5 (LS); (Turn down 1:1; BFSL = Best Fit Straight Line; LS = limit value setting)				
Hysteresis deviation [% of the span]	< ± 0,1; (Turn down 1:1)				
Long-term stability [% of the span]	< ± 0,05; (Turn down 1:1; per 6 months)				
Temperature coefficient zero point [% of the span / 10 K]	< ± 0,2; (-0...80 °C)				
Temperature coefficient span [% of the span / 10 K]	< ± 0,2; (-0...80 °C)				
Notes on the accuracy / deviation	switch point accuracy, linearity error under DNV GL: < ± 1%: < ± 1%				
Reaction times					
Response time [ms]	< 1.5				
Delay time programmable dS, dr [s]	0...50				
Damping process value dAP [s]	0...4				
Damping for the analog output dAA [s]	0...4				
Max. response time analog output [ms]	3				
Software / programming					
Parameter setting options	hysteresis / window; normally open / closed; switch-on/ switch-off delay; Damping; Display unit; current/voltage output				
Interfaces					
Communication interface	IO-Link				
Transmission type	COM2 (38,4 kBaud)				
IO-Link revision	1.1				
SDCI standard	IEC 61131-9				
SIO mode	yes				
Required master port class	A; (wenn PIN 2 nicht verbunden: B)				
Supported DeviceIDs	Type of operation	DeviceID			
	Factory setting / CMPT = 2	477			
	Status_B High Resolution / CMPT = 3	993			
Note	For further information please see the IODD PDF file at "Downloads"				

# PN2299



## Pressure sensor with display

PN-1-1BREN14-MFRKG/US/ IV

Factory setting / CMPT = 2		
Profiles	Smart Sensor: Process Data Variable; Device Identification, Device Diagnosis	
Min. process cycle time [ms]	2.3	
IO-Link resolution pressure [mbar]	1	
IO-Link process data (cyclical)	Function	bit length
	pressure	14
	binary switching information	2
IO-Link functions (acyclical)	application specific tag	
Status_B High Resolution / CMPT = 3		
Profiles	Smart Sensor ED2: Digital Measuring Sensor (0x000A), Identification and Diagnosis (0x4000)	
Min. process cycle time [ms]	3	
IO-Link resolution pressure [mbar]	1	
IO-Link process data (cyclical)	Function	bit length
	pressure	16
	device status	4
	binary switching information	2
IO-Link functions (acyclical)	application specific tag	
Operating conditions		
Ambient temperature [°C]	-25...80	
Storage temperature [°C]	-40...100	
Protection	IP 65; IP 67	
Tests / approvals		
EMC	DIN EN 61000-6-2	
	DIN EN 61000-6-3	
Shock resistance	DIN EN 60068-2-27	50 g (11 ms)
Vibration resistance	DIN EN 60068-2-6	20 g (10...2000 Hz)
MTTF [years]	138	
UL approval	UL approval number	J012
Pressure equipment directive	sound engineering practice; can be used for group 2 fluids; group 1 fluids on request	
Mechanical data		
Weight [g]	223.5	
Material	stainless steel (1.4404 / 316L); PBT+PC-GF30; PBT-GF20; PC	
Materials (wetted parts)	stainless steel (1.4404 / 316L); Al2O3 (ceramics); FKM	
Min. pressure cycles	100 million	
Tightening torque [Nm]	> 50; (Depends on lubrication, seal and pressure rating)	
Process connection	threaded connection 1/4" NPT Internal thread	
Restrictor element integrated	no (can be retrofitted)	
Displays / operating elements		
Display	Display unit	5 x LED, green (mbar, psi, kPa, inH2O, inHg)
	Switching status	2 x LED, yellow
	Measured values	alphanumeric display, red/green 4-digit
Remarks		
Pack quantity	1 pcs.	

# PN2299



## Pressure sensor with display

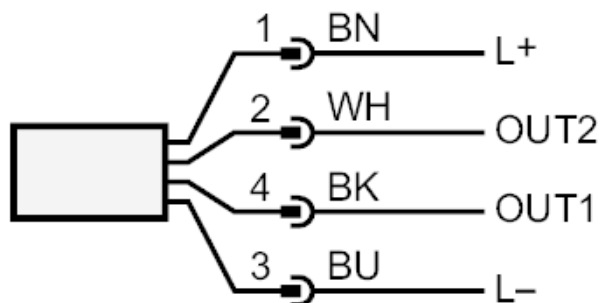
PN-1-1BREN14-MFRKG/US/ IV

### Electrical connection

Connector: 1 x M12; coding: A; Contacts: gold-plated



### Connection



OUT1	Switching output IO-Link
OUT2	Switching output analog output
	Core colors :
BK =	black
BN =	brown
BU =	blue
WH =	white