

Part Number: 13570

NO. OF SECTIONS: 4
 POSITIONS: 5
 INDEXING: 45°
 TYPE ACTION: NON-SHORTING
 DETENT: STANDARD
 STOPS INSTALLED: YES
 TERMINALS: SCREW TYPE, HARDWARE SUPPLIED
 MOUNTING HARDWARE: SUPPLIED

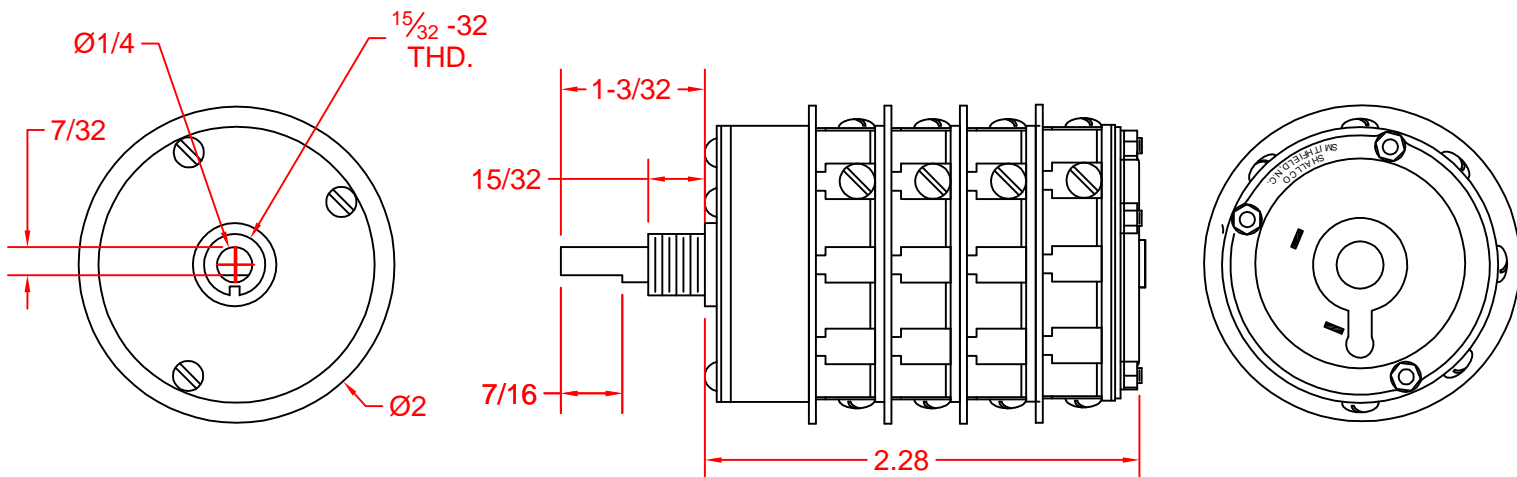
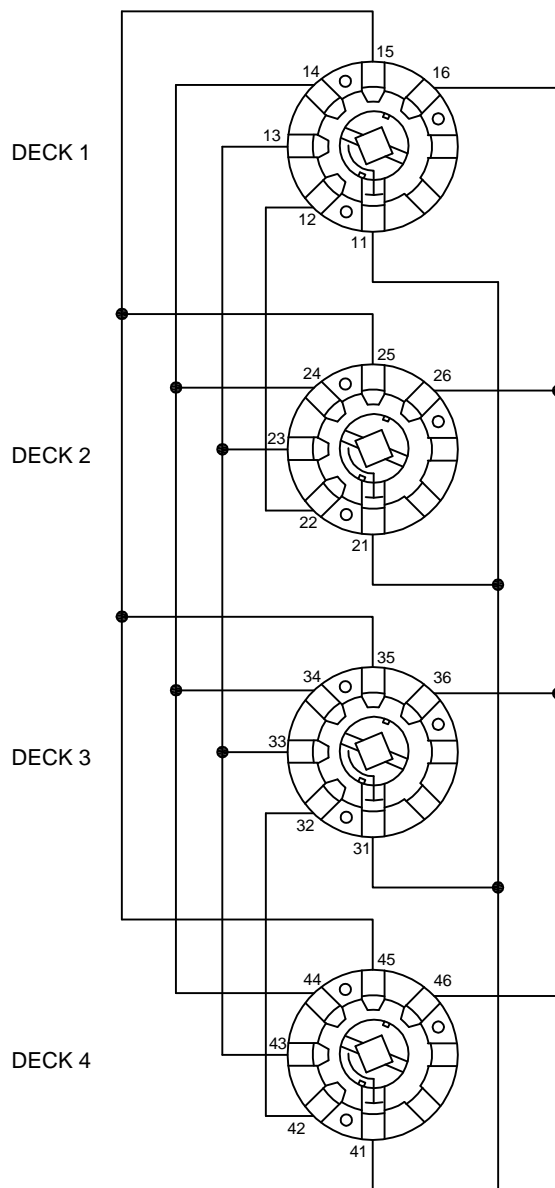
ELECTRICAL RATINGS:

- 15 A @ 125 VAC
- 5 A @ 250 VAC
- 3 A @ 600 VAC
- 5 A @ 30 VDC
- 1 A @ 125 VDC



DIELECTRIC WITHSTANDING VOLTAGE: 1500 VRMS
 CONTACT RESISTANCE: 10 MILLIOHMS MAX. INITIAL
 INSULATION RESISTANCE: 1000 MEGOHMS, INITIAL

DECK	CONTACTS	POSITION				
		1 (OFF)	2	3	4	5
1	11		X			
	12			X		
	13				X	
	14					X
2	21		X			
	22			X		
	23				X	
	24					X
3	31		X			
	32			X		
	33				X	
	34					X
4	41		X			
	42			X		
	43				X	
	44					X



13570

REV. -