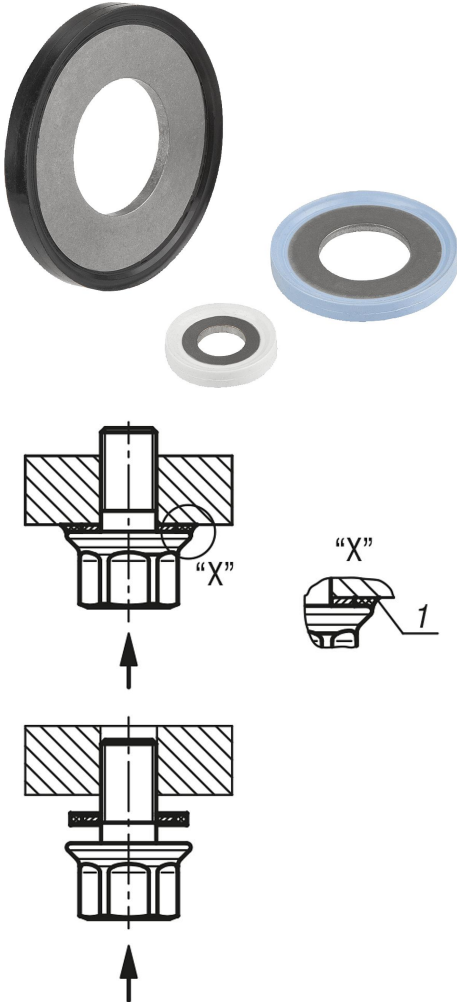


# Hygienic USIT® sealing and shim washer Freudenberg Process Seals

## Item description/product images



## Description

### Material:

Stainless steel 1.4404.

Rubber beading:

70 EPDM 291 black

70 EPDM 253815 white + RFN handling

75 Fluoroprene XP 45 blue

### Note:

Flat metallic seal with elastomer beading for cavity-free, static sealing of screw connections. The Hygienic USIT® sealing and shim washer forms a cavity-free seal on product contact surfaces or within aseptic isolators only when used in conjunction with the specially designed screw or nut (see Art. No. K1327 and K1328). The sealing and shim washer reliably eliminates cavities on screw connections. Residual material or cleaning agents cannot precipitate unnoticed and so contamination through microbes and bacteria is negated.

### Application:

Even if the rubber beading cannot be overstressed by the integrated stainless steel washer when the fastening is tightened, every material reaches the end of its life-cycle sometime. Fragments could get into the foodstuff. The different sealing materials and their colours are not just for fulfilling the respective user applications, but also to ensure product specific ease of detectability.

70 EPDM 291 - black

Used mainly in the processing and beverage industries and in dairies.

70 EPDM 253815 - white

Predominantly used in medical technology and pharmaceutical industries

75 FLUOROPRENE® XP 45 - blue

For special requirements such as very fatty, aggressive mediums and very high temperatures that could occur during e.g. cleaning the plant.

Naturally, all sealing materials are also suitable for individual packaging tasks.

### Attention:

The function of the Hygienic USIT® screw joint system has been proven in connection with stainless steel materials and common cleaning agents. The suitability for a specific application needs to be tested by the user.

### Accessory:

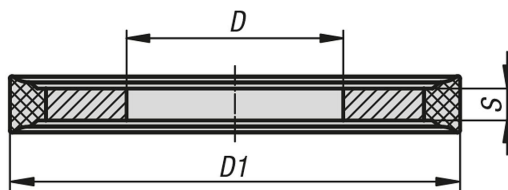
The Hygienic USIT® sealing and shim washers can be used with all other products of the Hygienic USIT® range.

### Drawing reference:

1) Cavity free sealing

# Hygienic USIT® sealing and shim washer Freudenberg Process Seals

## Drawings



## Overview of items

### Hygienic USIT® sealing and shim washer Freudenberg Process Seals

Order No.	Component material	Component colour	D	D1	S	Suitable for hexagon screws	Suitable cap nuts
K1326.031	70 EPDM 291	black	4,2	9,7	1	M3 / M4	M3 / M4
K1326.051	70 EPDM 291	black	5,2	10,7	1	M5	M5
K1326.061	70 EPDM 291	black	6,2	13,1	1	M6	M6
K1326.081	70 EPDM 291	black	8,2	16,9	1	M8	M8
K1326.101	70 EPDM 291	black	10,2	21,2	1,5	M10	M10
K1326.121	70 EPDM 291	black	12,2	25,5	1,5	M12	M12
K1326.161	70 EPDM 291	black	16,2	33,9	1,5	M16	M16
K1326.032	70 EPDM 253815	white	4,2	9,7	1	M3 / M4	M3 / M4
K1326.052	70 EPDM 253815	white	5,2	10,7	1	M5	M5
K1326.062	70 EPDM 253815	white	6,2	13,1	1	M6	M6
K1326.102	70 EPDM 253815	white	10,2	21,2	1,5	M10	M10
K1326.122	70 EPDM 253815	white	12,2	25,5	1,5	M12	M12
K1326.162	70 EPDM 253815	white	16,2	33,9	1,5	M16	M16
K1326.034	fluoroprene XP 45	blue	4,2	9,7	1	M3 / M4	M3 / M4
K1326.054	fluoroprene XP 45	blue	5,2	10,7	1	M5	M5
K1326.064	fluoroprene XP 45	blue	6,2	13,1	1	M6	M6
K1326.084	fluoroprene XP 45	blue	8,2	16,9	1	M8	M8
K1326.104	fluoroprene XP 45	blue	10,2	21,2	1,5	M10	M10
K1326.124	fluoroprene XP 45	blue	12,2	25,5	1,5	M12	M12
K1326.164	fluoroprene XP 45	blue	16,2	33,9	1,5	M16	M16