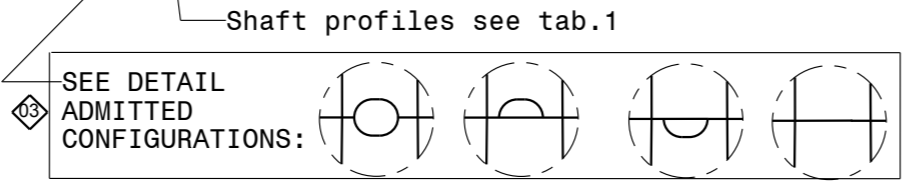
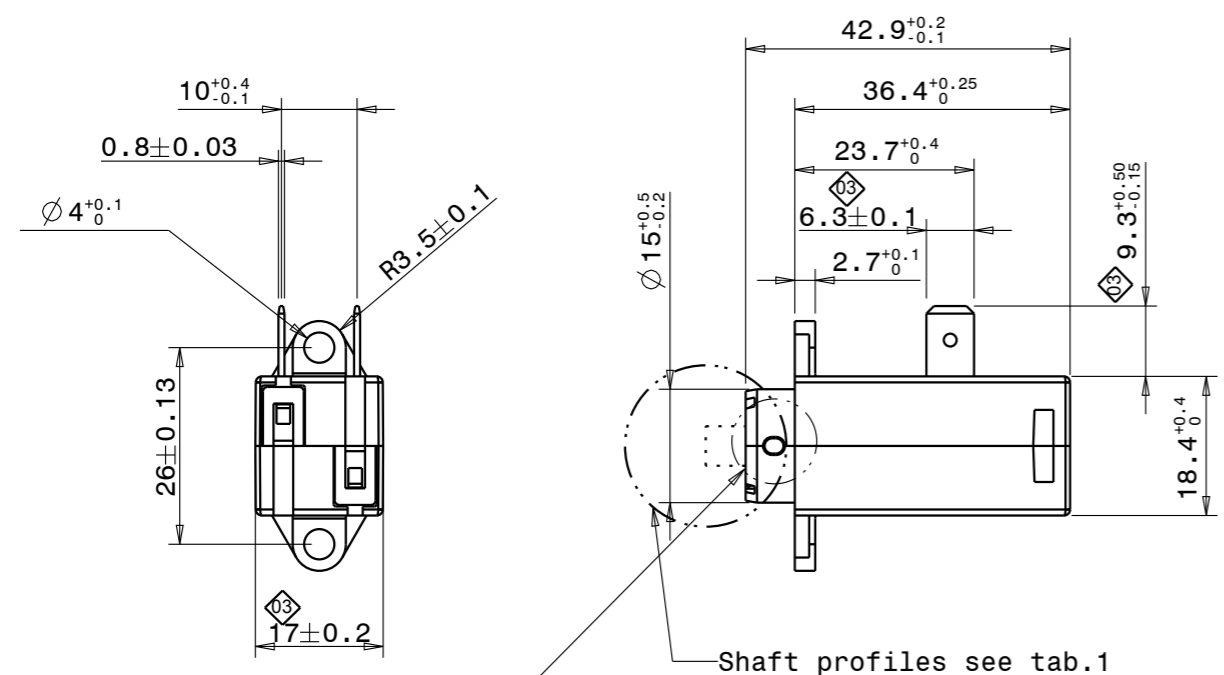


Il fornitore e' tenuto a richiedere le prescrizioni riguardanti la simbologia sulle dimensioni...  
 The supplier is obliged to request the prescription regarding symbols on the dimensions...  
 n. 83.0117.00. The symbol  $\diamond$  refers to modified area/dimensions.



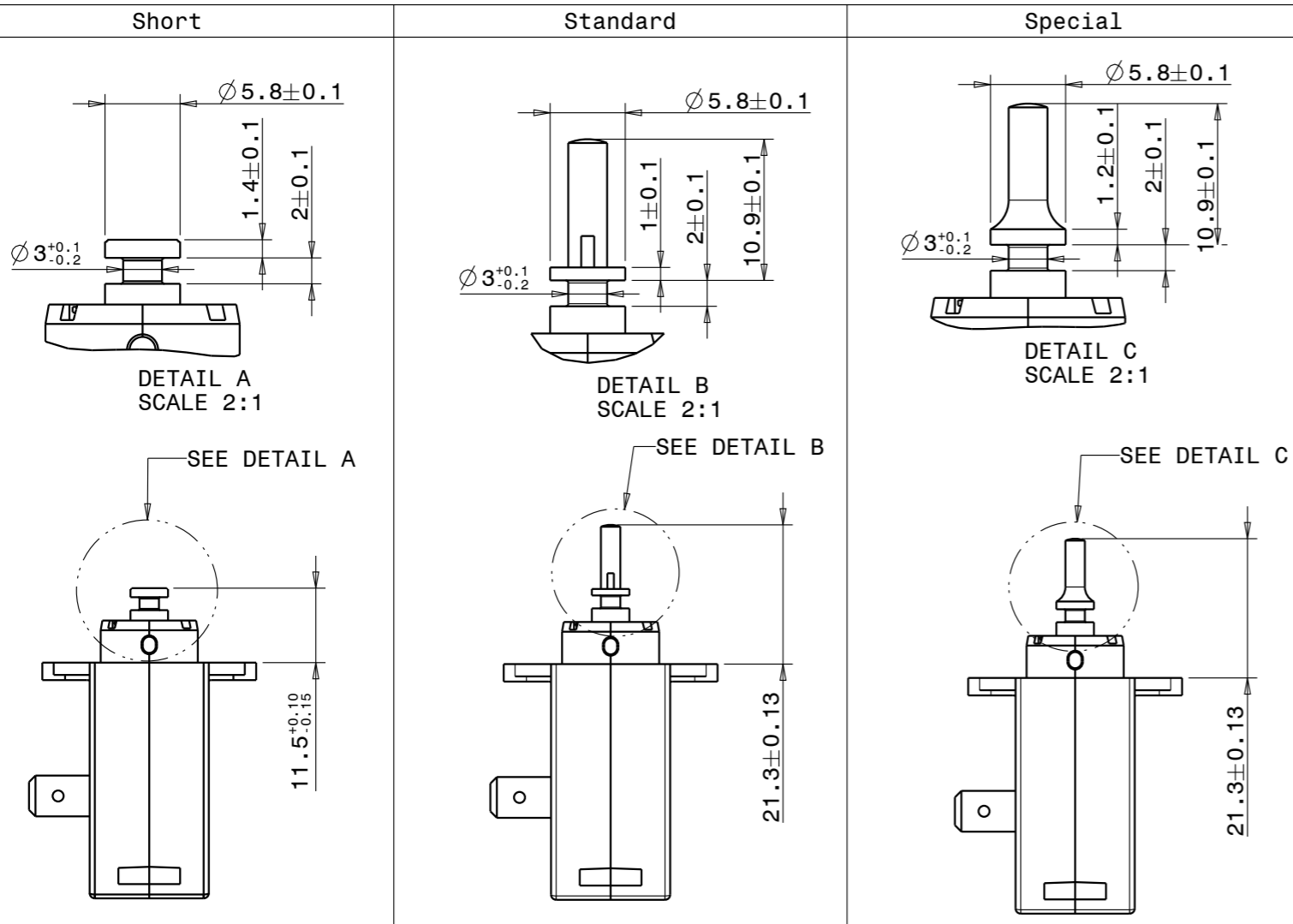
Tab. 2 Type of thermoactuator

| Thermoactuator | Marking   | Stroke-time diagram | Shaft type |        | Type On time |
|----------------|-----------|---------------------|------------|--------|--------------|
|                |           |                     | profile    | colour |              |
| 10.0331.13     | 110/240 V | 12.0096.26          | Special    | Black  | long         |
| 10.0331.21     | 110/240 V | 12.0096.21          | Standard   | Black  | long         |
| 10.0331.25     | 12/24 V   | 12.0096.25          | Standard   | Brown  | long         |
| 10.0331.27     | 110/240 V | 12.0096.26          | Short      | Brown  | long         |
| 10.0331.28     | 110/240 V | 12.0096.28          | Short      | Brown  | long         |

Long ON time do not energize for more than: 12 hours

Questo documento e le informazioni in esso contenute sono di proprieta' ELTEK SpA e devono considerarsi di natura riservata...  
 This document and the information in it contained are property of ELTEK SpA and, as such, they are to be considered reserved. Therefore, any reproduction in any form or by any means, without prior written permission of ELTEK SpA, is forbidden.

Tab. 1 Shaft profiles



Note: this drawing can be applied to all the thermoactuators quoted in tab.2  
 The stroke-time diagrams corresponding to every single type of single type of actuator are quoted in tab.2  
 For technical data refer to the Technical Specification code 82.0331.00  
 "The thermoactuator has a grade of protection : IP00 (not protected,ref. IEC 60529).  
 For more details refer to technical specification code 82033100"

All above p.n. are approved:

General tolerances

|        |     |      |
|--------|-----|------|
| 120+   | 180 | ±.27 |
| 80+    | 120 | ±.23 |
| 50+    | 80  | ±.19 |
| 30+    | 50  | ±.16 |
| 18+    | 30  | ±.13 |
| < 18   |     | ±.10 |
| Angles |     | ± 2° |

|                                  |                                                                              |                                         |          |                    |
|----------------------------------|------------------------------------------------------------------------------|-----------------------------------------|----------|--------------------|
|                                  |                                                                              |                                         |          | Drawn: SEGALINI    |
|                                  |                                                                              |                                         |          | Date: 09/11/07     |
|                                  |                                                                              |                                         |          | Checked: GAJ       |
|                                  |                                                                              |                                         |          | Date: 16/06/14     |
| 03                               | Adjust dimension 6.3±0.1(it was 6.3 +0.1-0);9.3+0.5-0.15(it was 9.3+0.5-0),  | 16/06/14                                | SEGALINI | Scale: 1:1         |
| 02                               | Change: added note and symbol C-UL, approvals for 12/24 V (it was 12 or 24V) | 27/05/13                                | SEGALINI | Volume: -          |
| 01                               | Added dimension 2,7                                                          | 14/12/07                                | SEGALINI | [mm <sup>3</sup> ] |
| Rev                              | Modification Description                                                     | Date                                    | By       | Weight [g]: 20     |
| Drawing Size                     | First angle projection                                                       | Material                                |          | Replace            |
| A3                               |                                                                              |                                         |          | -                  |
|                                  |                                                                              | Colour                                  |          | Code               |
| ELTEK S.p.A.- Casale Monf. ITALY |                                                                              | Description                             |          | 10.0331.B1.03      |
|                                  |                                                                              | Thermoactuator Silicone inj. 6mm stroke |          |                    |

Questo documento e le informazioni in esso contenute sono di proprietà ELTEK SpA e devono considerarsi di natura riservata. Pertanto ne e' vietato qualsiasi tipo di utilizzo non preventivamente autorizzato da ELTEK SpA.  
 This document and the information in it contained are property of ELTEK SpA and, as such, they are to be considered reserved. Therefore, any reproduction in any form or by any means, without prior written permission of ELTEK SpA, is forbidden.

Il fornitore e' tenuto a richiedere le prescrizioni riguardanti la simbologia sulle dimensioni  $\bullet$   $\circ$   $\square$  e copia della specifica accettazione materiali n. 83.0117.00. Il simbolo  $\diamond$  si riferisce alle zone/quote modificate.  
 The supplier is obliged to request the prescription regarding symbols on the dimensions  $\bullet$   $\circ$   $\square$  and a copy of the specification concerning materials acceptance n. 83.0117.00. The symbol  $\diamond$  refers to modified area/dimensions.

|                    |      |      |      |
|--------------------|------|------|------|
| General tolerances | 120+ | 120  | ±.27 |
|                    | 80+  | 80   | ±.23 |
| Angles             | 50+  | 50   | ±.19 |
|                    | 30+  | 30   | ±.16 |
|                    | 18+  | 18   | ±.13 |
|                    | < 18 | < 18 | ±.10 |
| ± 2°               |      |      |      |

|                                  |                          |                            |          |                                 |
|----------------------------------|--------------------------|----------------------------|----------|---------------------------------|
| Drawing Size                     |                          | First angle projection     | Material | Replace                         |
| A3                               |                          |                            | Colour   | -                               |
|                                  |                          | Description                | Code     | 13.0431.13.00                   |
| ELTEK S.p.A.- Casale Monf. ITALY |                          | NTA 6 SILICONATO ALB.CORTO |          |                                 |
| Rev                              | Modification Description | Date                       | By       | Weight [g]: 0.0                 |
|                                  |                          |                            |          | Volume: 6890 [mm <sup>3</sup> ] |
|                                  |                          |                            |          | Scale: 1:1                      |
|                                  |                          |                            |          | Checked: Date:                  |
|                                  |                          |                            |          | Date: 03/11/06                  |
|                                  |                          |                            |          | Drawn: Segalini                 |