



2GDS35 133x190L **

L23-A7 p

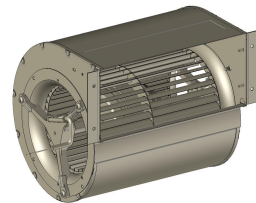


DATA SHEET

release. b - Revision 09-2017

Replace Z18-10 p

Voltage	Frequency	Input Power	Input Current	Capacitor	Airflow	Rotation speed	Acoustic level	Direction rotation	Admissible Temperature
V	Hz	W	A	μF	m ³ /h	RPM	dBA	↻	Min/Max
230	50	215	0,94	4,0	800	1735		L	-20°C / +60°C
230	60	224	0,98	4,0	625	2130		L	-20°C / +40°C
230	50				470 CFM				-4°F / 140°F
230	60				367 CFM				-4°F / 104°F



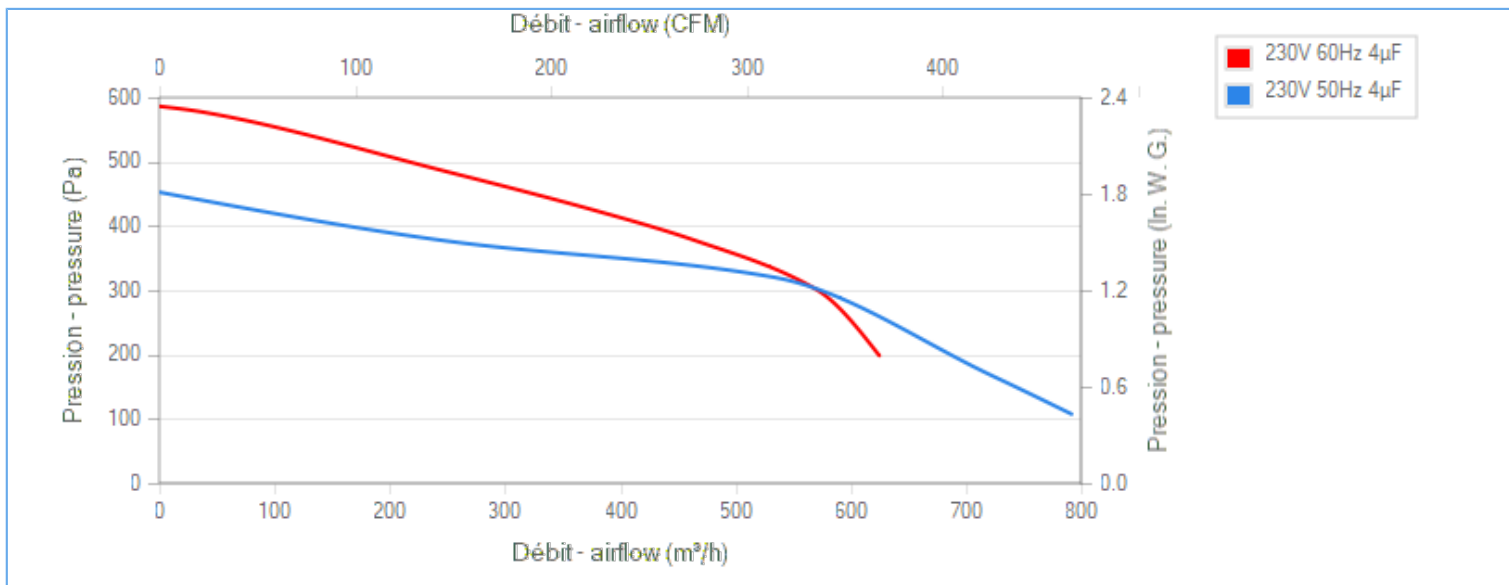
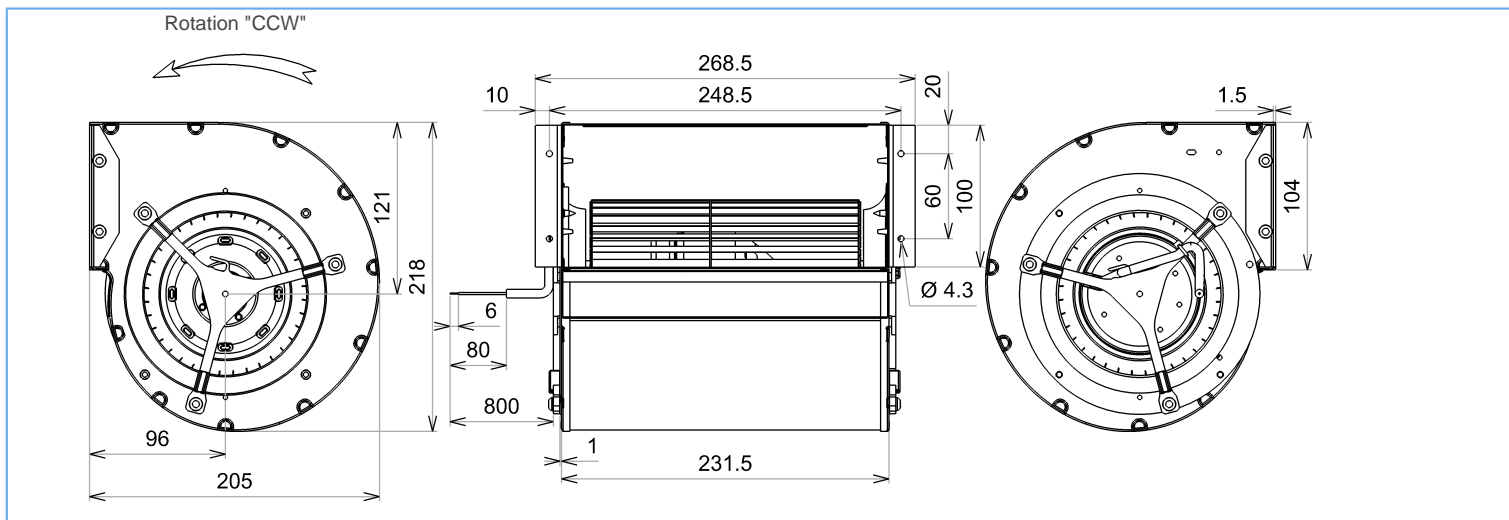
dBA : free blowing

ErP 2013

OK

ErP 2015

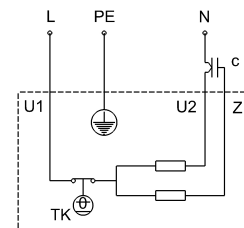
OK



Description

- .Weight : 4,0 Kg
- .Ball bearing
- .Class F, thermally protected
- .IP44 protection depending on installation and position as per EN60034-5
- .G2.5 balancing
- .Scroll housing : black paint
- .Galvanized steel impeller

U1 = Blue
 U2 = Black
 Z = Brown
 PE = Green/Yellow



Non contractual document. All specifications are subject to change without prior notice. Picture for information only.



2GDS35 133x190L **

L23-A7 p



DATA SHEET

release. b - Revision 09-2017

Replace Z18-10 p

Data in accordance to ErP directive

Voltage	230	V
Frequency	50	Hz
Power	0,146	kW ⁽¹⁾
Airflow	534	m ³ /h ⁽¹⁾
Pressure	320	Pa ⁽¹⁾
Rotation speed	2474	RPM ⁽¹⁾

(1) at optimal efficiency point

	Actual	Request 2013	Request 2015
Overall efficiency (η)	32,5	25,4	32,4
Efficiency grade	44	37	44
Installation category	A		
Efficiency category	static		
Variable speed drive	No		
Specific ratio	1,00		

Designed for regular application according ErP directive EU 2009/125/EC

Accessories

- 19019
- 19019
- 21338
- 09145

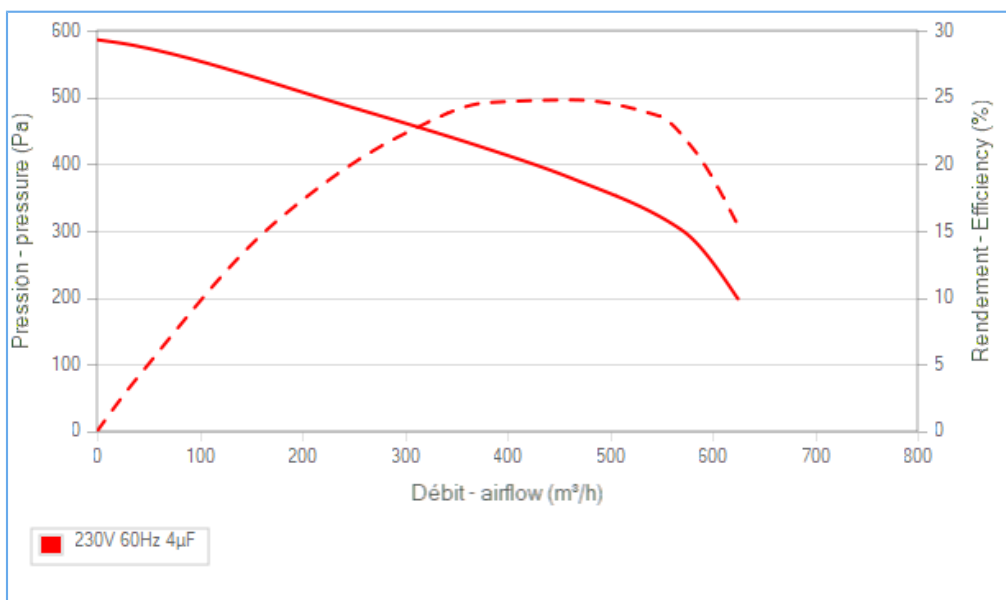
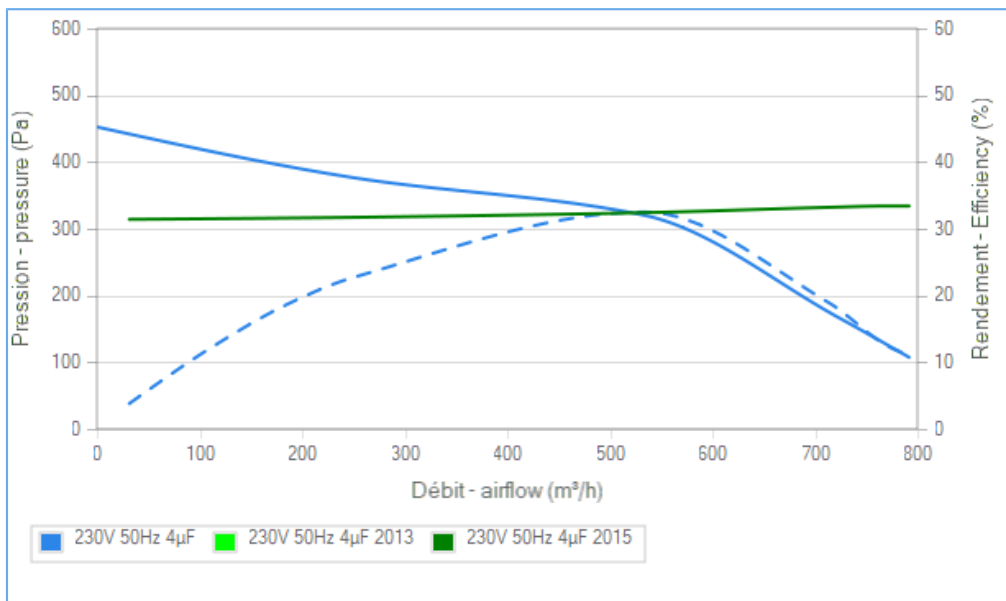
Measurement setup

Contact ECOFIT

Documents

Manuel d'utilisation
www.ecofit.com/site/normes

Operating and recycling manual
www.ecofit.com/anglais/normes



Non contractual document. All specifications are subject to change without prior notice. Picture for information only.

