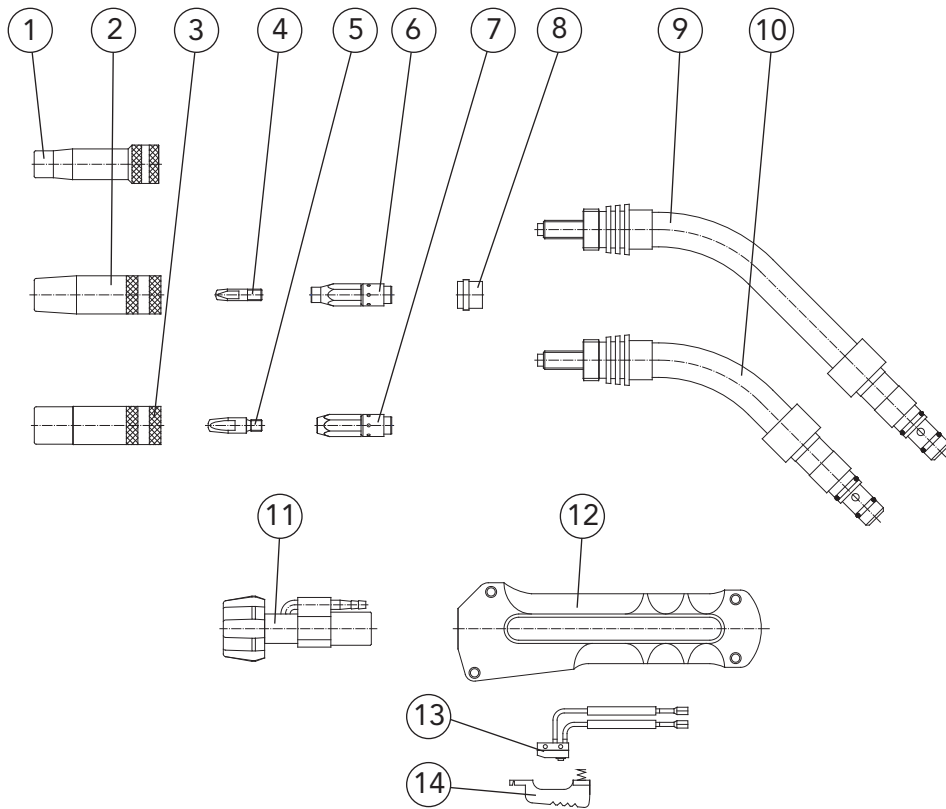


Torch heads MWS/MWL 230 45°



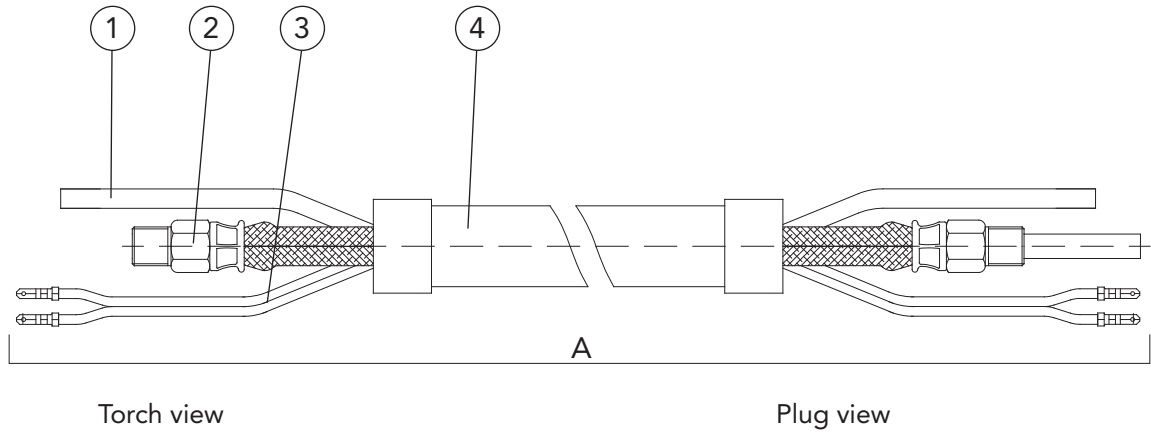
	Description	Dimension		Part name	Part number
1	Gas nozzle	∅ 11 mm	DIX	1-1-311 TRR	6190106110
2	Gas nozzle	∅ 13 mm	DIX	1-1-312 TR	6190103120
3	Gas nozzle	∅ 16 mm	DIX	1-1-316 TR	6190103160
4	Contact tip	M6 x 24 mm	DIX	3-1-__	6190300__
5	Contact tip	M6 x 28 mm	DIX	3-2-__	6290300__
	Contact tip	M6 x 28 mm	DIX	3-2-__ CR-ZR	6290330__
6	Tip adapter		M6	DIX 4-1-L	619040020
7	Tip adapter		M6	DIX 4-1-K	619040010
8	Insulating sleeve			DIX 10-1-222	619100202
9	Torch neck	45°	long	DIX 6-1-230 WS 45°	61906072354
10	Torch neck	45°	short	DIX 6-1-230 WL 45°	61906072344
11	Torch connection			DIX 15-2 DW	629150470
12	Handle			DIX 7-2-303 D	629070340
13	Micro switch			DIX 8-2	629080000
14	Trigger			DIX 9-2	629090000

-- Enter the required wire diameter, e.g.: 08 = 0.8 mm or 10 = 1.0 mm.

- Standard equipment for wire diameter 1.0 mm steel with gas nozzle DIX 1-1-312 TR, contact tip DIX 3-1-1.0 and tip adapter DIX 4-1-L. Variants deviating of the standard fittings on request.



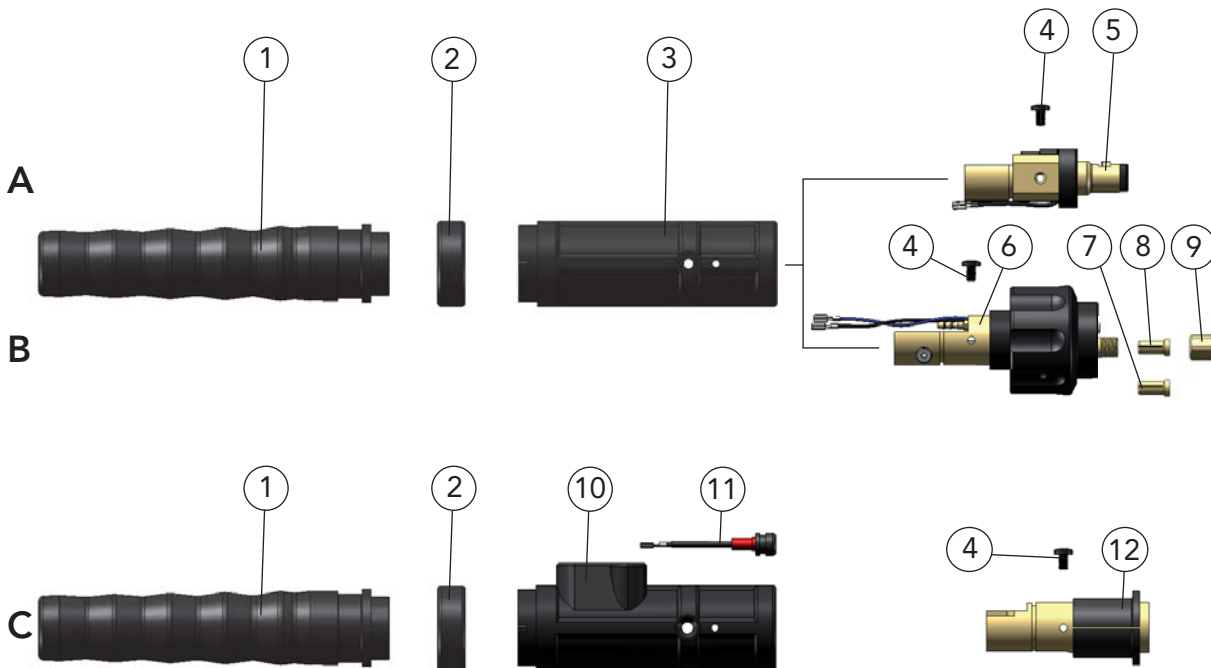
## BLACKline Torch sets MDW 300 Supply hose



Description	Part name	Part number
A Supply hose	DIX VLM 300-__	6222003__
1 Gas hose	DIX VL 180-__	639186001__
2 Binary cable	DIX VLM 233-__	6292063__
3 Control wire	DIX VLM 211-__	6292110__
4 Cover hose	DIX VLM 330-__	6292313__

-- Enter the required length of the welding torch set, e.g.: 30 = 3.0 m or 40 = 4.0 m.  
Standard length: 3.0 m and 4.0 m

## BLACKline Torch sets MDW 300 Plug



**DINSE** ● You need a Power Pin / Power Pin Set for the compact plug DIX KCME 330 N (Pos. C). You will find the Power Pin / Power Pin Set that fits to your wire feeder in the chapter tools and accessories or you ask your DINSE consultant.

Description	Part name	Part number
A Plug	DIX KCME 330	624000330
B Plug	DIX KCME 330 SA	624000331
C Plug	DIX KCME 330 N	638900042
1 Plug sleeve	DIX ME 300 SM	629120000
2 Fixing ring	DIX 12-3-510 HR	6391250013
3 Plug housing	DIX ME 300 SG	629123300
4 Holding screw (10 pcs.)	DIX ME 300 HS	629070005
5 Plug insert	DIX ME 300 SE	639113004
6 Plug insert	DIX ME 300 SA	639113005
7 Clamp sleeve, without block for liner	DIX 27-2 MAP	629270041
8 Clamp sleeve, with block for liner	DIX 27-2 SA	629270040
9 Clamp nut	DIX 28-2 SA	629280040
10 Plug housing	DIX ME 600 SGN	6391250020
11 Plug connector	DIX CS 600 SGN	6391250021
12 Plug insert	DIX ME 300 N	639116077
Sealing cap, without picture	DIX 12-3-510 DK	901515135