



# 4GRE25 180x75R

## Y41-03 p



### DATA SHEET

Replace Q07-50

release. g - Revision 07-2014

Voltage	Frequency	Absorbed Power	Absorbed Current	Capacitor	Airflow	Rotation speed	Acoustic level	Rotation	Operational Temperature
V	Hz	W	A	µF	m³/h	RPM	dBA		Min/Max
230	50	80	0,35	2,0	550	950	51	R	-20°C / +70°C
230	60	95	0,42	2,0	550	920	51	R	-20°C / +70°C
230	50				323 CFM				-4°F / 158°F
230	60				323 CFM				-4°F / 158°F



dBA : free blowing

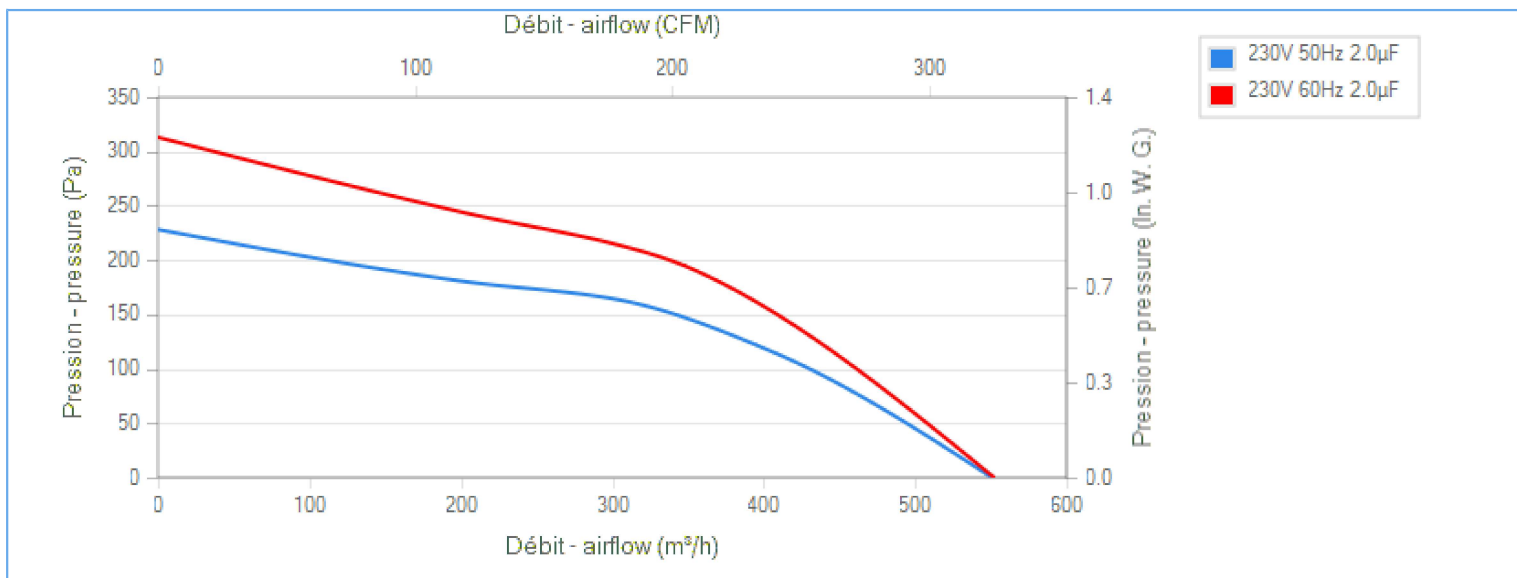
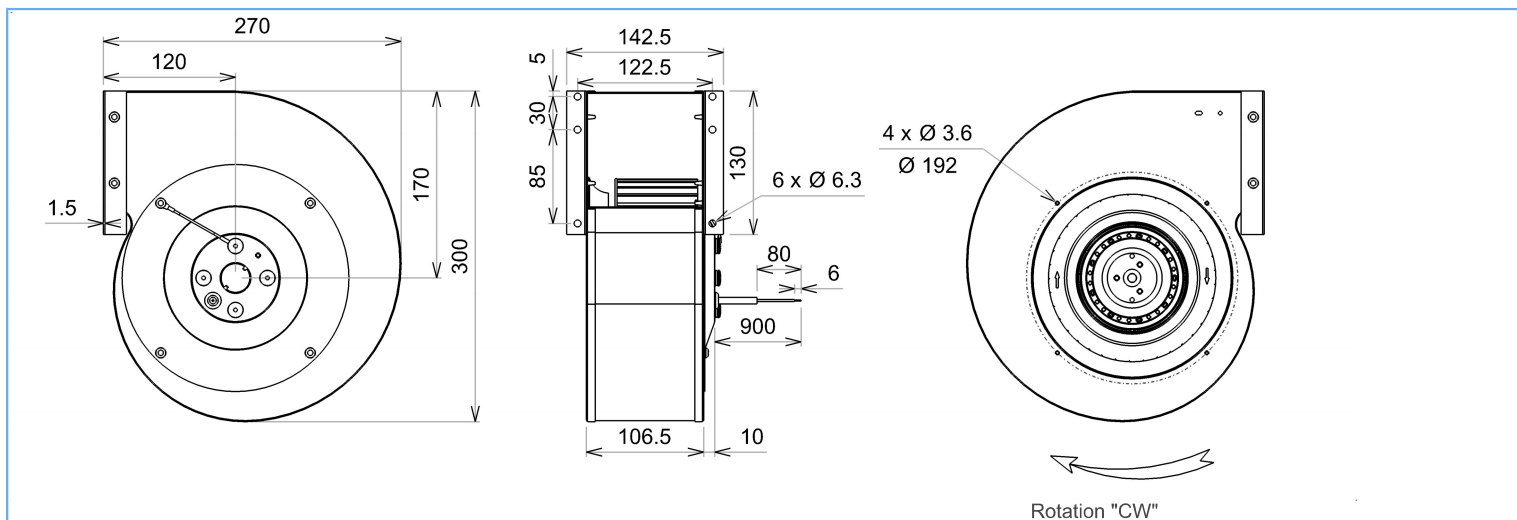
NA : not applicable

ErP 2013

NA

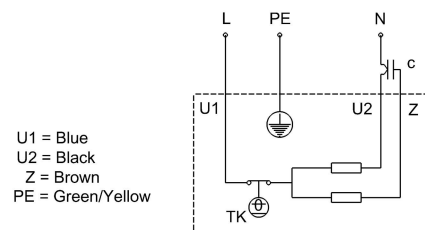
ErP 2015

NA



### Description

- .Weight : 4,1 Kg
- .Ball bearing
- .Class F, thermally protected
- .IP44 protection depending on installation and position as per EN60034-5
- .G2.5 balancing
- .PP plastic impeller
- .Rotor : black paint
- .Scroll housing : black paint



U1 = Blue  
 U2 = Black  
 Z = Brown  
 PE = Green/Yellow

Non contractual document. All specifications are subject to change without prior notice. Picture for information only.



4GRE25 180x75R

Y41-03 p

Replace Q07-50



# DATA SHEET

release. g - Revision 07-2014

## Data in accordance to ErP directive

Voltage	230	V
Frequency	50	Hz
Power	0,064	kW <sup>(1)</sup>
Airflow	301	m <sup>3</sup> /h <sup>(1)</sup>
Pressure	164,5	Pa <sup>(1)</sup>
Rotation speed	1261	RPM <sup>(1)</sup>

(1) at optimal efficiency point

ErP directive (EU 2009/125/EC) not applicable :  
Power at optimum energy efficiency point <125W

## Accessories

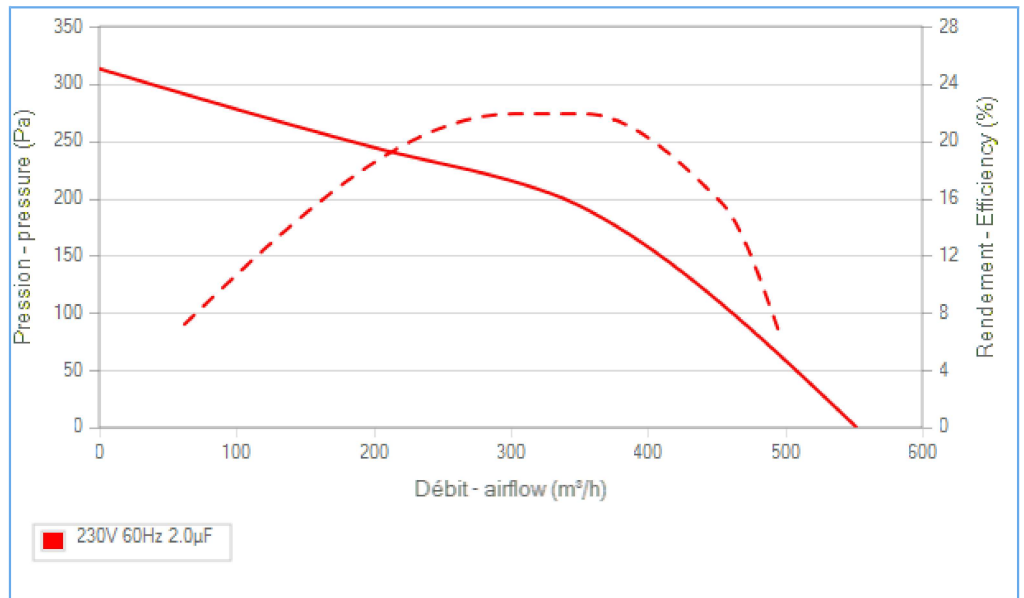
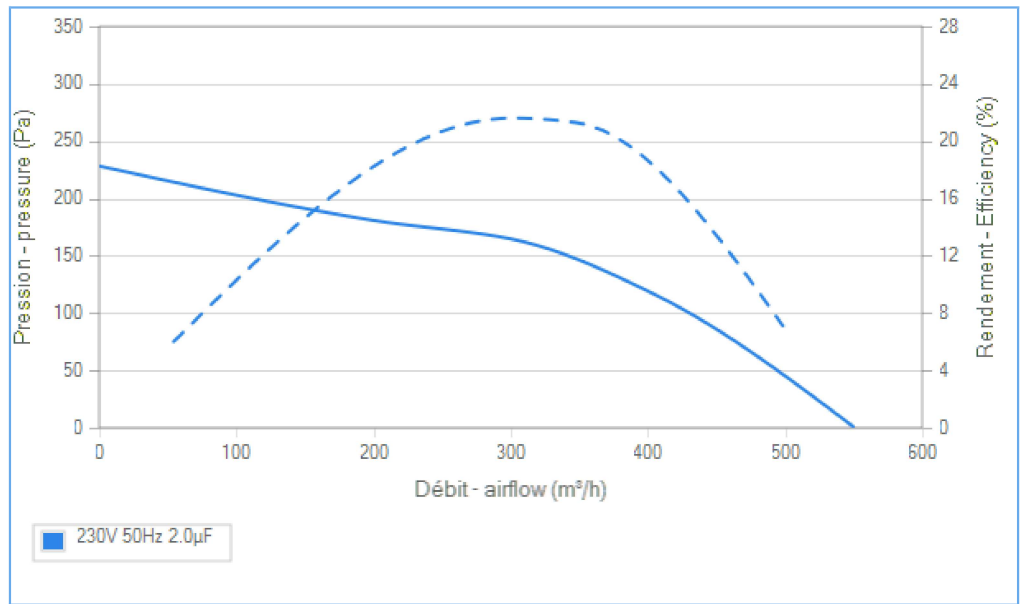
Capacitor for 50Hz	19008
Capacitor for 60Hz	19008
Finger guard	21194

## Measurement setup

Contact ECOFIT

## Documents

- Manuel d'utilisation  
[www.ecofit.com/site/normes](http://www.ecofit.com/site/normes)
- Operating and recycling manual  
[www.ecofit.com/anglais/normes](http://www.ecofit.com/anglais/normes)



A041865  
4RS925CN

Non contractual document. All specifications are subject to change without prior notice. Picture for information only.